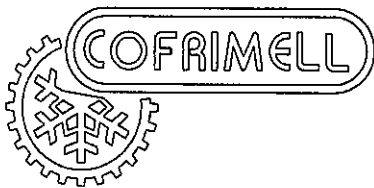
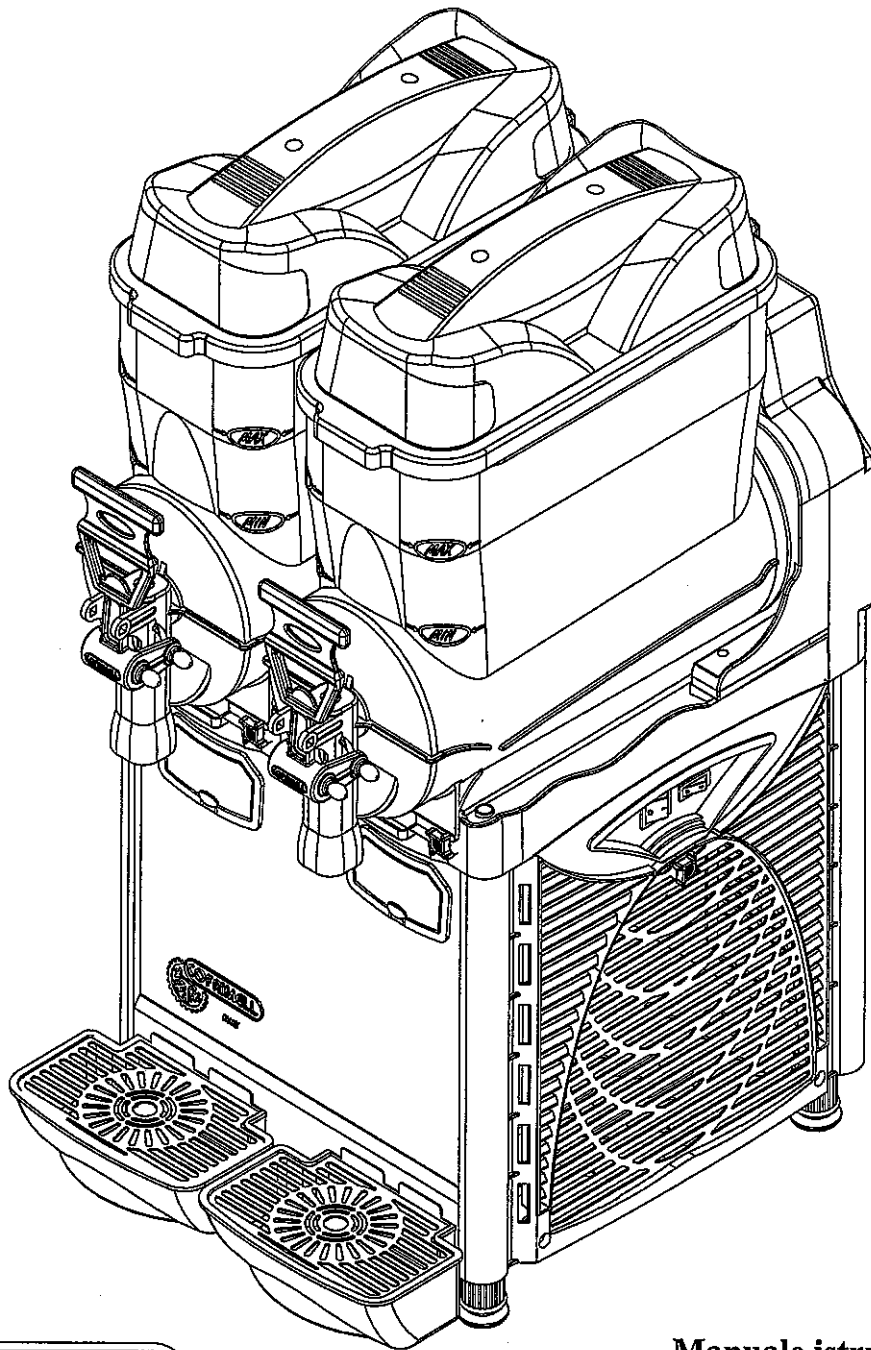




**GRANITORE
SLUSH MACHINE
DISTRIBUTEUR DE GRANITE'**



**Manuale istruzioni
Operating instructions
Manual de empleo
Notice d'entretien
Betriebsanleitung**



Index

1. General information
2. Description
 - 2.1 Main Components
 - 2.2 Technical features
 - 2.3 Main control
 - 2.4 Bowl's control
3. Installation
 - 3.1 Unpacking
 - 3.2 Positioning
 - 3.3 Electrical connection
4. Operation of the machine
 - 4.1 Preparation of the product
 - 4.2 Slush production
 - 4.3 Setting of the thickness control
 - 4.4 Cold drink production
5. Cleaning
 - 5.1 Bowl Emptying
6. Disassembling
 - 6.1 Dispensing tap disassembling
 - 6.2 Lid disassembling
 - 6.3 Bowl disassembling
 - 6.4 Drip tray disassembling
7. Washing and sanitizing
 - 7.1 Washing process
 - 7.2 Sanitizing of the disassembled machine
8. Reassembling of the washed parts
 - 8.1 Bowl re-assembling
 - 8.2 Lid re-assembling
 - 8.3 Dispensing tap re-assembling
9. Condenser Cleaning
 - 9.1 Condenser Oasis 1-10 cleaning
 - 9.2 Condenser Oasis 2-3/10 cleaning
10. Rinsing
11. Lamp replacing
12. Suggestions
13. Demolition/Disposal
14. Problems & Solutions
15. Warranty
16. CE Declaration

Exploded view and spare parts list

3. Installation

3.1 Unpacking

Remove the carton box and the plastic bag. Make sure that the machine is intact and has not been damaged during transport.



IMPORTANT : The various packaging should not be left within reach of children since they are potentially dangerous.

Dispose the various materials of the packaging by dividing them according to the different type, in conformity with the norms in force.

If needed keep the packaging for future moving transportation.



IMPORTANT : during transport or lifting operations, never grab the machine from the cylinders evaporators. The manufacturer is not responsible for any damage caused by improper moving .

3.2 Positioning (Fig.6)

Place the machine on a horizontal and sturdy surface. For an improved ventilation maintain a distance of 25cm (10 inches) between the unit and walls or other obstacles . Increase the distance if the obstacles are heating source. When the machine is in place, regulate the rubber legs in order to keep it level.

Leave a free space of at least 150cm (60 inch) to allow an easy use and maintenance

Leave also 25cm (10 inches), on the top to allow to remove the lids.

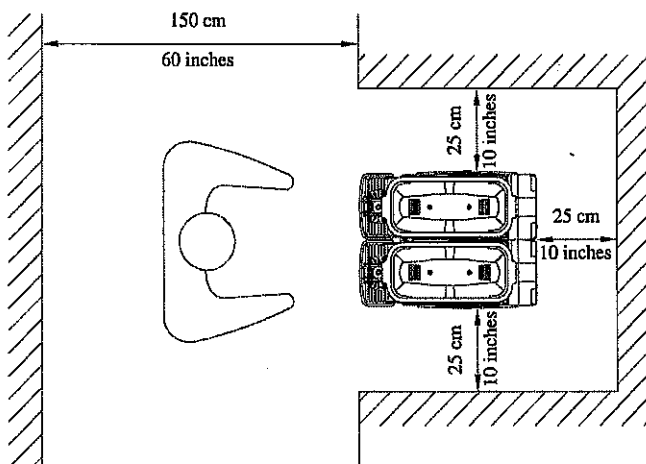


Fig. 6

3.3 Electric connection

Before inserting the plug into the electric socket carefully verify the following :

- Make sure that the main switch is on the position 0.
- Make sure that the machine is properly connected to an efficient grounding system in compliance with current safety standards.
- Make sure that the voltage is in accordance with what indicated on the serial number plate applied on the chassis of the machine.
- Make sure that the current (power) available is sufficient for the maximum required by the machine.
- It is forbidden to use multiple outlet or adapters to connect the machine to the electric supply.

If in doubt consult only specialised technicians .

By law the machine must be always grounded.



Before the first use of the machine an accurate cleaning and sanitizing is necessary. Please refer to the Cleaning section.

4. Use of the machine

Before using the machine is needed a careful cleaning and sanitizing of all the components which will be in contact with the products. Please refer to section 7. **Washing and sanitizing.**

4.1 Preparation of the product

In case of concentrate product in order to obtain a homogeneous mix is needed to pre-mix the concentrate with water according to the directives of the manufacturer of the concentrate.

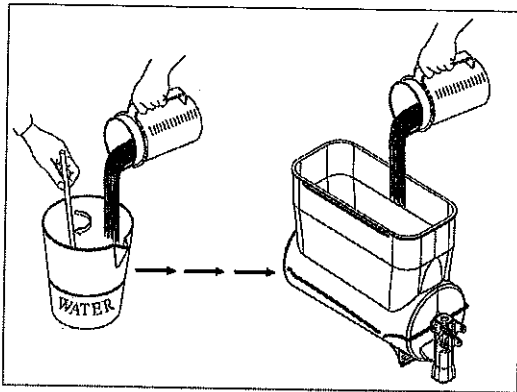



Fig. 7

Attention Pour the product into the bowl only when the machine is OFF and disconnected from the power supply.
Don not overtake MAX level.
Make sure to do not go below the MIN level.

4.2 Production of the slush

In order to obtain the slush the mixture must have a minimum sugar content of 13° BRIX.
A lower concentration may damage the spiral blades and gear-motors.

To obtain the slush position the switches:

A in position  - **I** and the spiral blade switch

B in position  - **I** see Fig. 5

Slush dispensing

To dispense the slush pull the tap lever. (see Fig.8)

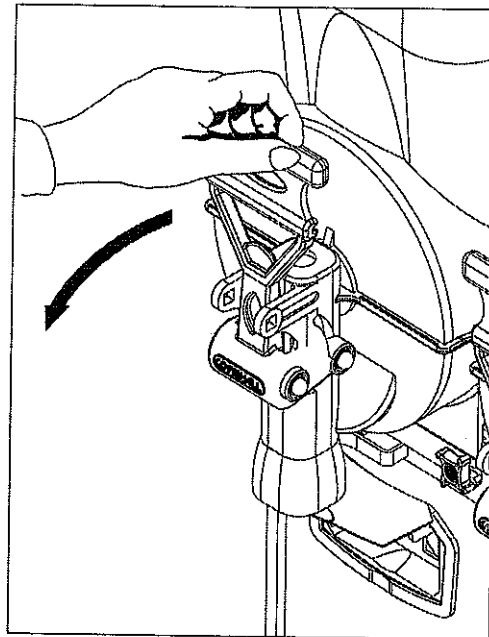



Fig. 8

4.3 Thickness control. The control is positioned behind the back panel.

In slush machine mode  - **I**, the machine is set for the production of the slush. The optimal thickness has been already set in the factory, it is anyway possible to adjust the thickness, increasing or decreasing, just following the steps reported in Fig. 9.

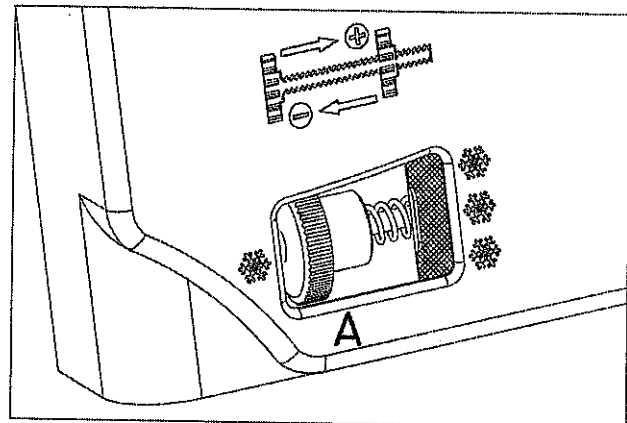


Fig. 9

- A) Open the stainless steel door sliding from left to right.
- B) Operate the screw A from left to right to increase the thickness.
- C) Operate the screw A from right to left to decrease the thickness.

Each bowl has its separate thickness control.

1. General informations

This machine is a Slush machine and a Cold drink dispenser.
 This machine must be used only for the purpose for which it was designed. Any other use is inappropriate and therefore dangerous.
 The manufacturer will not be held responsible for any damage caused by improper use. Before installing and operate read carefully this manual which is an integral part of the machine and must be kept for any further consultation.

Main safety information:

- Do not touch the machine with wet hands or feet.
- Do not operate with bare feet.
- Do not allow the use of the machine to children or incapable.
- Do not leave the machine exposed to the atmospheric agents.
- Do not pull the cable to disconnect the machine from the electric supply.

2. Description

2.1 Main components

The main components of the machine are :

- 1) Lid
- 2) Bowl
- 3) Tap lever
- 4) Product supply
- 5) Bowl's switches box
- 6) Drip tray
- 7) Thickness control
- 8) Spiral blade
- 9) Main switches
- 10) Bowl's fixing knob
- 11) Rubber leg

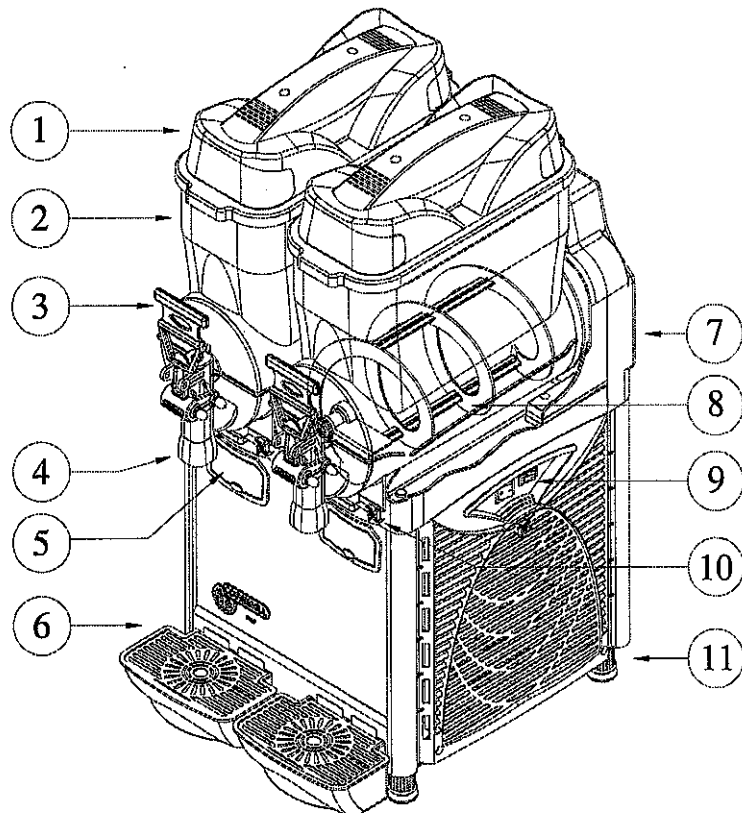


Fig. 1



2.2 Technical Features

Models	OASIS 1-10	OASIS 2-10	OASIS 3-10
Bowls	1	2	3
Capacity	1 x 10 Lt. 1 x 2.2 Gal	2 x 10 Lt. 2 x 2.2 Gal	3 x 10 Lt. 3 x 2.2 Gal
Gas	R404a		
Width L-W	21 cm 8.3 Inch	40 cm 15.7 Inch	60 cm 23.6 Inch
Depth P-D	53 cm 20.8 inch		
Height H	84 cm 33 inch		
Weight	32 Kg 70 pounds	56 Kg 123 pounds	72 Kg 158 pounds
Power	SEE DATA ON THE PLATE		
Voltage			
Acoustic pressure	< 70 dB (A)		
Class	N		

The technical feature of the machine (Volt, Hertz, Watt and quantity of gas) are reported on the serial number plate attached behind the drip tray. Sample of the serial number plate is sample is shown in the below picture. (Fig.2)

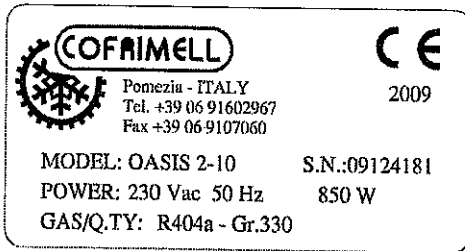


Fig. 2

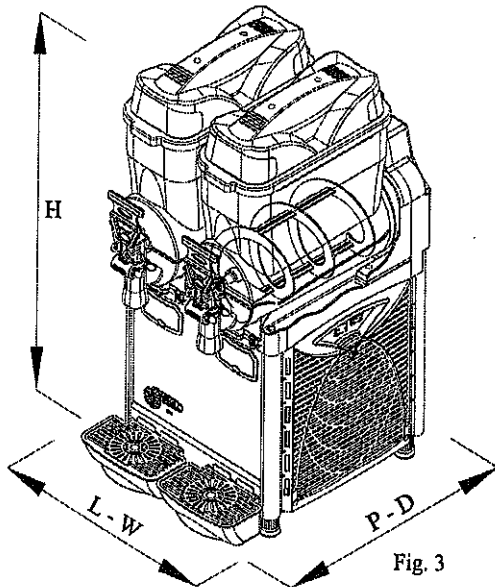


Fig. 3

The manufacturer reserves the right to modify the construction or appearance without notice.

2.3 Main Controls (Fig. 4)

On the right side of every machine are positioned the main controls switches.

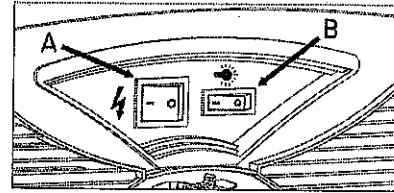


Fig.4

A) Lighted switch (MAIN SWITCH)

Position **0** : The machine is OFF

Position **I** : The machine is ON

B) Light switch

Position **0** : Lid light OFF

Position **I** : Lid light ON

2.4 Bowl controls (Fig. 5)

Under each bowl is the switches box. the switches of the relative bowls are behind a protective transparent screen.

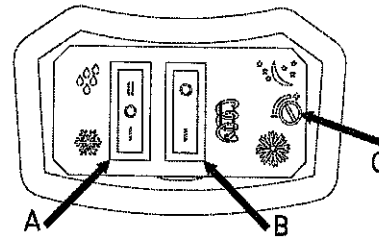


Fig. 5

CONTROL SWITCH A

- I** Machine set to SLUSH MACHINE mode.
- II** Machine set to COLD DRINK DISPENSER mode.
- 0** Cooling system set to OFF.

CONTROL SWITCH B (spiral blade switch)

- I** Spiral blade ON / Slush machine mode ON
- 0** Spiral blade OFF/ Slush machine mode OFF

THERMOSTAT CONTROL C

This control set the temperature of the product when the control switch A is positioned to **II** -

4.4 Use in cold drink dispenser mode

After having prepared the product separately, set the machine to cold drink dispenser mode by positioning the switch A

In position  - II (see Fig. 5)

You recommends to maintain the least level of the product above the cylinder evaporator. (see Fig.10)

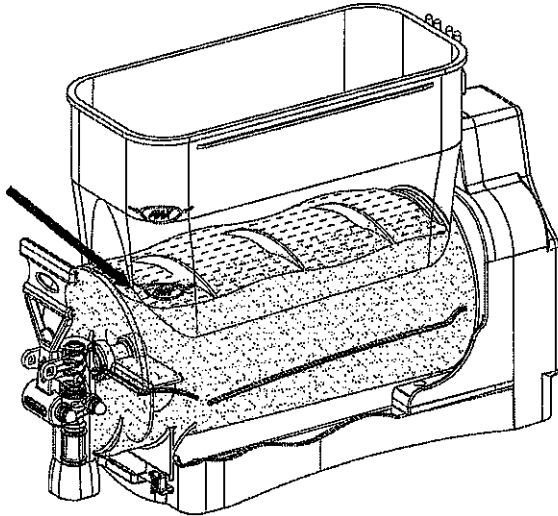


Fig. 10

Set the temperature of the drink

In the cold drink dispenser mode the machine is set to keep the product at positive temperature. The optimal temperature has been already set in the factory . It is anyway possible to adjust the temperature using the thermostat positioned into the switches box.

To set the temperature open the transparent screen on the front panel below the bowl and turn the screw of the thermostat.

5. Cleaning

The cleaning operations of the main components must be effectuated with the main switch in position **O** and the plug disconnected from the socket.

5.1 Emptying the bowl

Before starting the cleaning it is necessary to empty the bowl of the product .

In case of the first cleaning before the first usage go directly to disassembling of the dispensing tap .

6. Disassembling.

6.1 Disassembling of the tap. (Fig. 11)

Do not disassemble the tap without having emptied the bowl first.

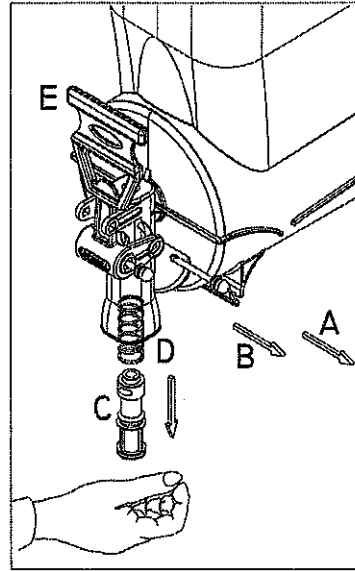


Fig. 11

1- Before removing the lever pin (A) in the arrow direction put the hand below the dispensing outlet, as when the removal will be completed the tap valve (C) and the spring (D) will come out .

2- The removal of the lever pin (B) is needed only in case removing and washing of the tap lever is necessary (E).

6.2 Disassembling of the lid. (Fig. 11a)

Lift upward the lid and remove it from the bowl.

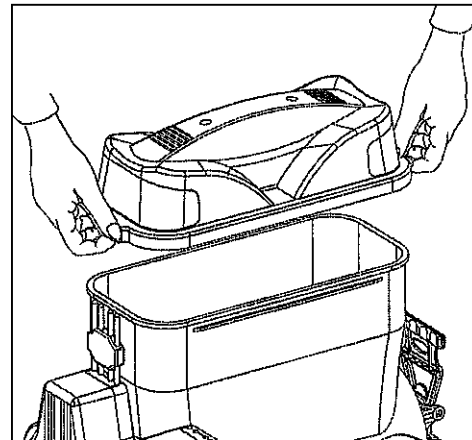


Fig. 11a

6.3 Disassembling of the bowl

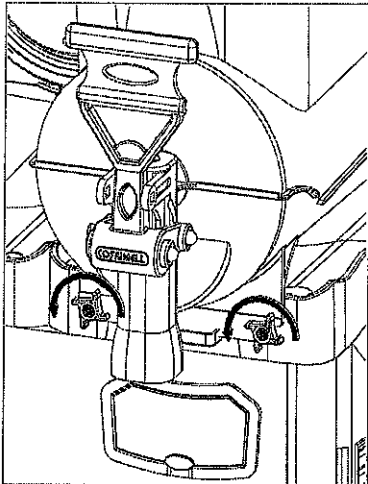


Fig. 12

Remove the two front fixing knobs by unscrewing them counter clockwise. (Fig. 12)

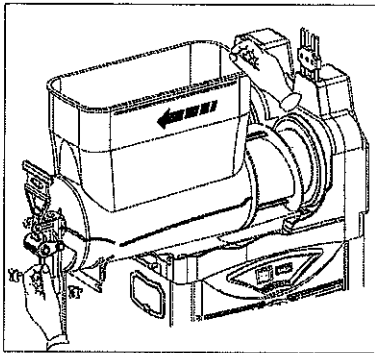


Fig. 13

Remove the bowl from its seat. (Fig. 13)

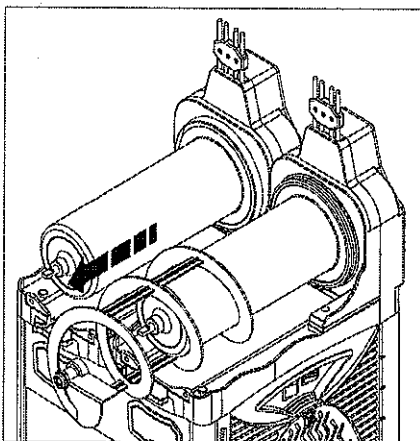


Fig. 14

Remove the spiral blade by pulling it gently. (Fig. 14)

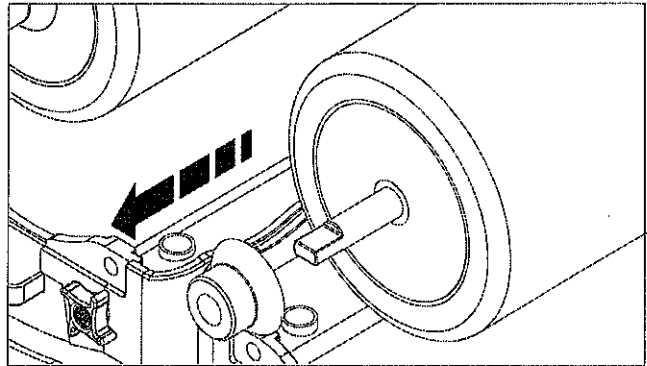


Fig. 15

Remove the Spiral blade gasket by pulling it gently. (Fig. 15)

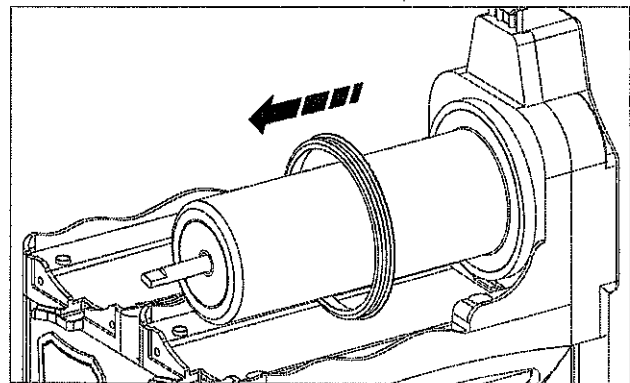


Fig. 16

Remove the bowl gasket by pulling it gently. (Fig. 16)

6.4 Disassembling the drip tray

Lift upward and pull the drip tray so that the hooks will come out from their seat/holes. (Fig. 17)

Wash the drip tray with warm water and dry. Insert again the hooks into the seat/holes and push down.

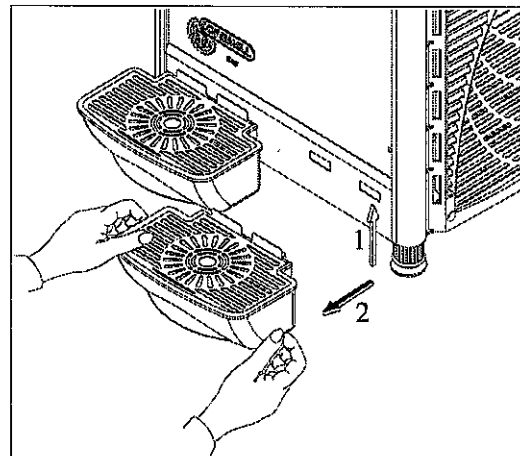


Fig. 17

7. Washing and sanitizing

7.1 Washing process

For health standard and good quality of the dispensed products, wash as often as possible.



Do not wash the components of the machine in the dishwasher.

Wash all the components in a basin with lukewarm water (approx 40°C) and a neutral detergent suitable for plastic items.

Follow the directives of the detergent manufacturer as concern the concentration of the same.

Do not wash the lid by dipping in the water. Wash the bottom part with a wet soft cloth.

Rinse carefully with clean lukewarm water all the washed parts in order to remove any residual of soap.

Dry all the parts with a dry soft cloth.

Do not use abrasive powders which might impair the bowl transparency.

When the machine is not in use for long period keep it away from dust and cover it with a plastic sheet.

7.2 Sanitizing of the disassembled machine

A correct sanitizing must be effected just before start using the machine. If the machine is not in use for long time, repeat the sanitizing process before the use.

For sanitizing purpose wash the parts with a solution of lukewarm water (approx 40°C) and hypochlorite (bleach) with 10 grams (½ spoon) for 1 liter of water ratio.

For a better cleaning and sanitizing use a soft brush.

8. Reassembling of the washed parts

All the washed and sanitized parts must be carefully reassembled. Some components must be lubricated in order to work efficiently. Every machine is supplied with a tube of lub

8.1 Reassembling of the bowl

Place the bowl basket at the bottom of the cylinder evaporator. Lubricating the upper part. (A). (see Fig. 18)

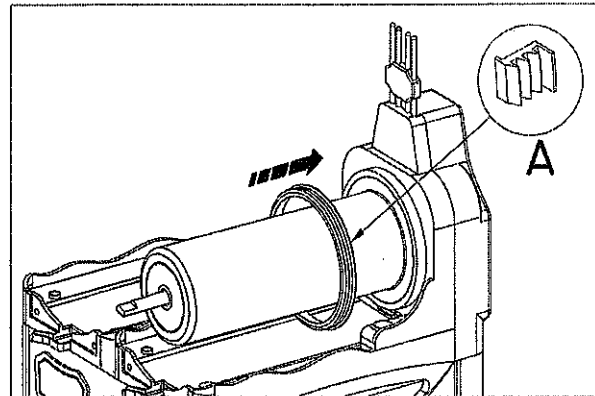


Fig. 18

Lubricate the surface of the cylinder in the zone of the transmission shaft outlet as shown by the arrow (A). (Fig. 19)
Place the spiral blade basket lubricating both the internal and external part. (see arrow B - Fig. 19)

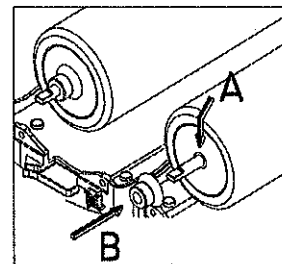


Fig. 19

Insert the spiral blade so that the head joints the transmission shaft. lubricate the external part of the head of the spiral blade. (see the arrow A - Fig. 20)

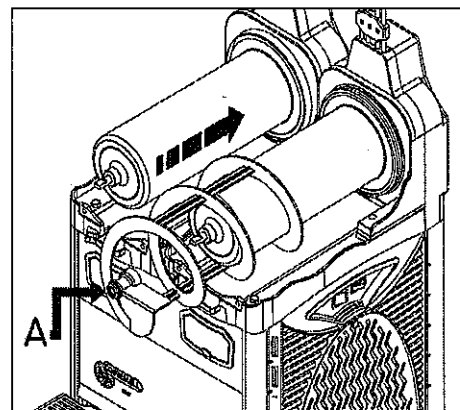


Fig. 20

Insert the bowl after all verifying that the bowl gasket is rightly positioned.

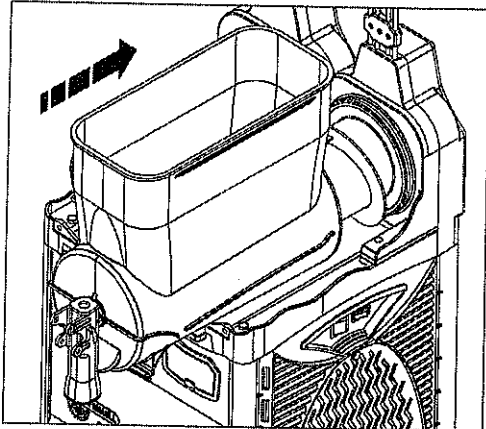


Fig. 21

Screw the bowl fixing knobs clockwise. (see Fig. 22)

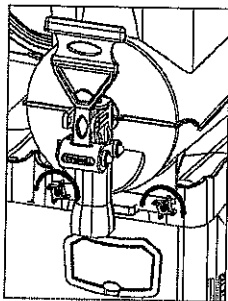


Fig. 22

8.2 Reassembling of the Lid

Place the lid over the bowl verifying the correct insertion of the electric contacts. (see Fig. 23)

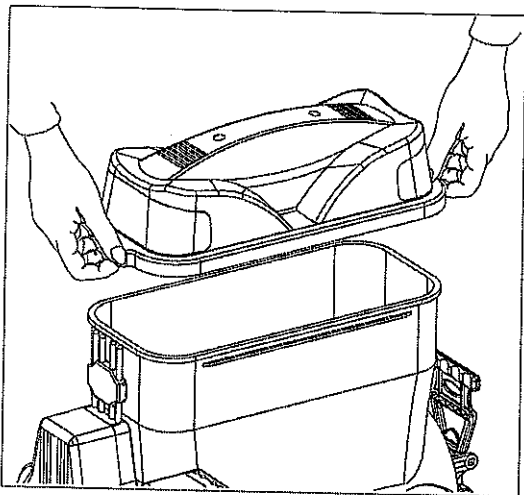


Fig. 23

8.3 Reassembling of the dispensing tap

Perform the operation in the following way:

- 1) Place the lever E in order to make fit together the holes for the rotation pin B (in case it has previously been removed)
- 2) Lubricate the tap valve C with the vaseline supplied with the machine and push it into the product supply hole along with the spring D then insert the rotation pin A. (Fig . 24)

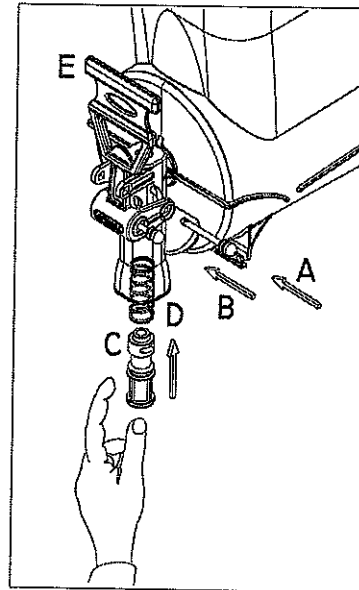


Fig.24

9. Condenser cleaning

The ordinary maintenance is very simple, it consists in an accurate inside cleaning from the dust, especially on the condenser fins.

A dirty condenser jeopardizes the correct operation of the machine and the efficiency of the cooling unit.

Effect the cleaning operation at least once a month.



Effect the cleaning operation only when the machine is OFF, the main switch is set to 0, and the cable is isconnected from the electric supply.

9.1 Cleaning of the OASIS 1-10 condenser

Remove the back panel unscrewing the 4 screws which fix the panel.

With a soft and dry brush remove the dust from the condenser fins.

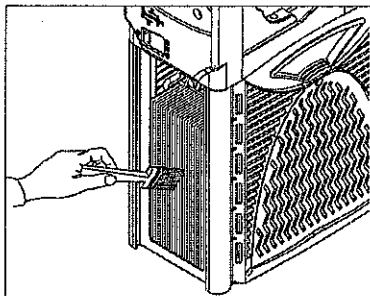


Fig. 25

When the cleaning is complete reassemble the panel.

9.2 Cleaning of the OASIS 2-3-10 condenser

Remove the left side stainless steel panel unscrewing the fixing knob (A) as shown. (Fig. 26)

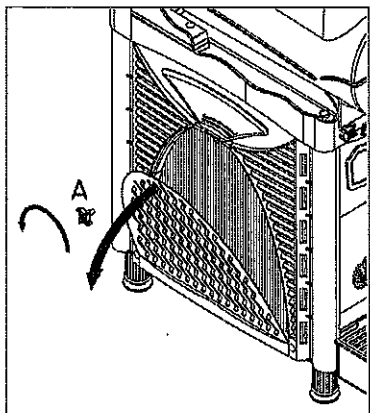


Fig. 26

With a soft and dry brush remove the dust from the condenser fins. (Fig. 27)

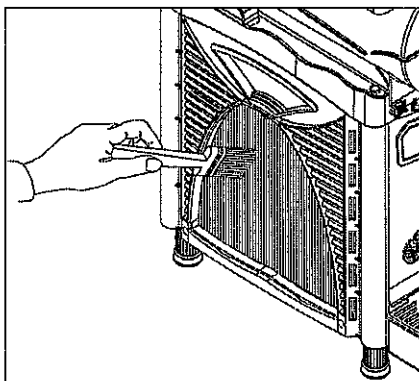


Fig.27

When the cleaning is complete reassemble the panel.

10. Rinsing

Before starting using the machine is needed a rinse cycle by performing the following operations:

- Fill the bowl with clean water
- Switch ON the machine with the control switch A set to 0
- Switch on the spiral blade by setting the control switch B to I
- Wait 5 minutes and then empty the bowl from the dispensing tap
- Switch OFF the machine
- Dry the inside of the bowl.

11. Replace the light

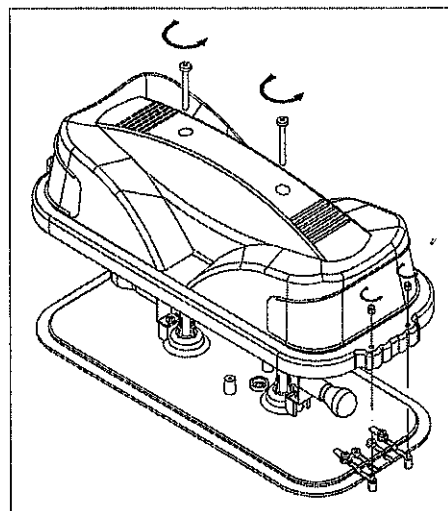


Fig. 28

Remove the light to be replaced by pushing and turning the same to let it come out from its hooking system. Replace only with genuine spare parts.

12. Useful information

The cooling performance of the machine are influenced by the external temperature, by the initial temperature of the product, by the percentage of sugar in the product and by the machine setting of the thickness and temperature. In order to reduce the needed time to have the slush ready is strongly recommended not to fill the bowl with warm or at room temperature products. It is always recommended to pre-cool the product.

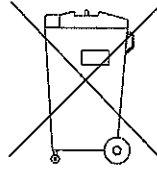
In case of refill, it is recommended to refill with pre-cooled product.

If the product used is a mixture of water and concentrate, premix the product before pouring into the bowl.


Always follow the instructions of the manufacturer of the product/concentrate for the slush.










13. Demolition/Disposal

When the machine is no more in use, it is recommended that it be made inoperative by unplugging the machine and cutting the electrical cord. The machine must be sold off through authorized organizations/ companies as per the European Directives 2002/96/C.



14. Problems & Solutions

In case should incur problems as per below list which are preceded by the symbol  in the solutions section it is absolutely necessary to contact a specialized technician.

Problem	Cause	Solution
The machine does not turn ON	The main switch (lighted switch) is not set to 1	Set to 1 the switch
	The machine is not plugged	Insert the plug
	Electric cable defective	 Replace the electric cable
	The main switch (lighted switch) is defective	 Replace the main switch (lighted switch)
The machine does not make the slush	The switch B is set to 0	Set the switch B to 1 - 
	The switch A is not set to 1 - 	Set the switch A to 1 - 
	Wrong setting of the thickness control	Set correctly the thickness control (see Fig. 9)
	Machine with insufficient ventilation or nearby a heat source	Move the machine in a place with a improved ventilation and far from heat source
	Leaking of refrigerant	 Restore and re-charge the cooling system
	The condenser i dirty	Clean the condenser (see Fig. 25-26-27)
	The micro-switch of the thickness control is defective	 Replace the micro-switch
The spiral blade does not turn	Spiral blade switch B set to 0	Set the spiral blade switch B to 1 - 
	Accumulations of iced product into the bowl	Switch the machine OFF and wait until the ice melt
	Spiral blade switch B defective 1 - 	Replace the spiral blade switch
The spiral blade makes noise	Insufficient lubrication	Lubricate correctly
The dispensing tap leaks	Tap valve C defective	Replace the tap valve C
	Tap valve not correctly lubricate	Lubricate correctly the tap valve
The dispensing tap does not dispense the product	Accumulations of iced product into the bowl	Switch the machine OFF ans wait until the ice melt

N.B. In case of any other problem not reported in the above list contact a specialized technician.

15. WARRANTY

The warranty of this machine is 1 year starting from the date of purchasing. The warranty include the free of charge reparation and/or the substitution of the parts recognized defective for defects of manufacture. The warranty does not cover the transport cost to and from the Factory. The manufacturer with his unquestionable judgment after having viewed the parts will appraise the applicability of the warranty. Damages caused by : mishandling during transport, wrong installation, improper or not correct use, reparations effected from personal not authorized are out of warranty. The parts in plastics and with aesthetical functionality are excluded by the warranty

The validity of the warranty is certified by the date of purchasing and the serial number of the machine . Signs of tampering / removal or illegibility of the serial number plate , make decay the terms of warranty.

16. EC Declaration of conformity

Cofrimell s.a.s., located in via delle Monachelle 66/B Pomezia (RM) Italy, as manufacturer whose activity is inside the European Community hereby declare under its own responsibility that the following products:

Type : SLUSH MACHINE

Models : OASIS 1-10 , OASIS 2-10 , OASIS 3-10

Meet the essential requirements of the following directives:

-73/237CEE (Low voltage directive), 89/336/CEE (Electromagnetic Compatibility) already included into 93/68/CEE (CE mark)

Ed ai seguenti standard armonizzati, ove applicabili :

- EN 60335-1. EN60335-2-24 (Safety requirements for the electric equipments for domestic use and like use)

- EN 61000-3-2. EN 61000-3-3

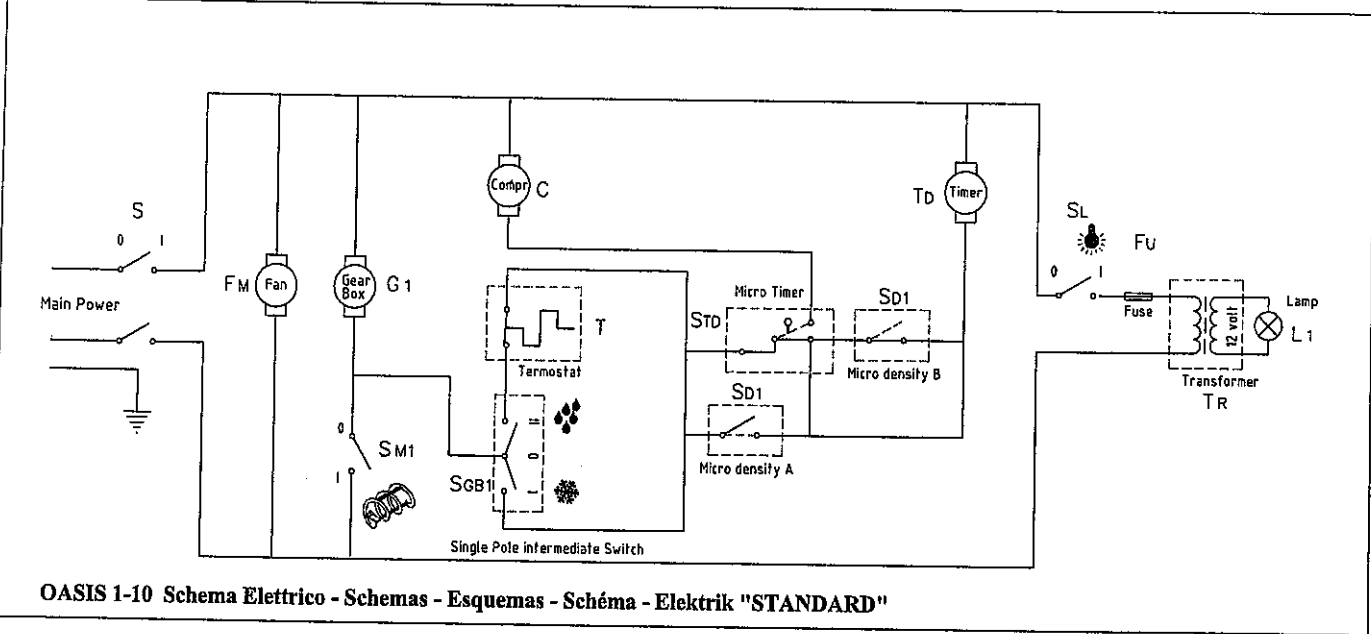
- EN 55014-1 :2000+A1 :2002, EN 55014-2 : 1997+A1 :2001

See data plate on the machine (place and production year)

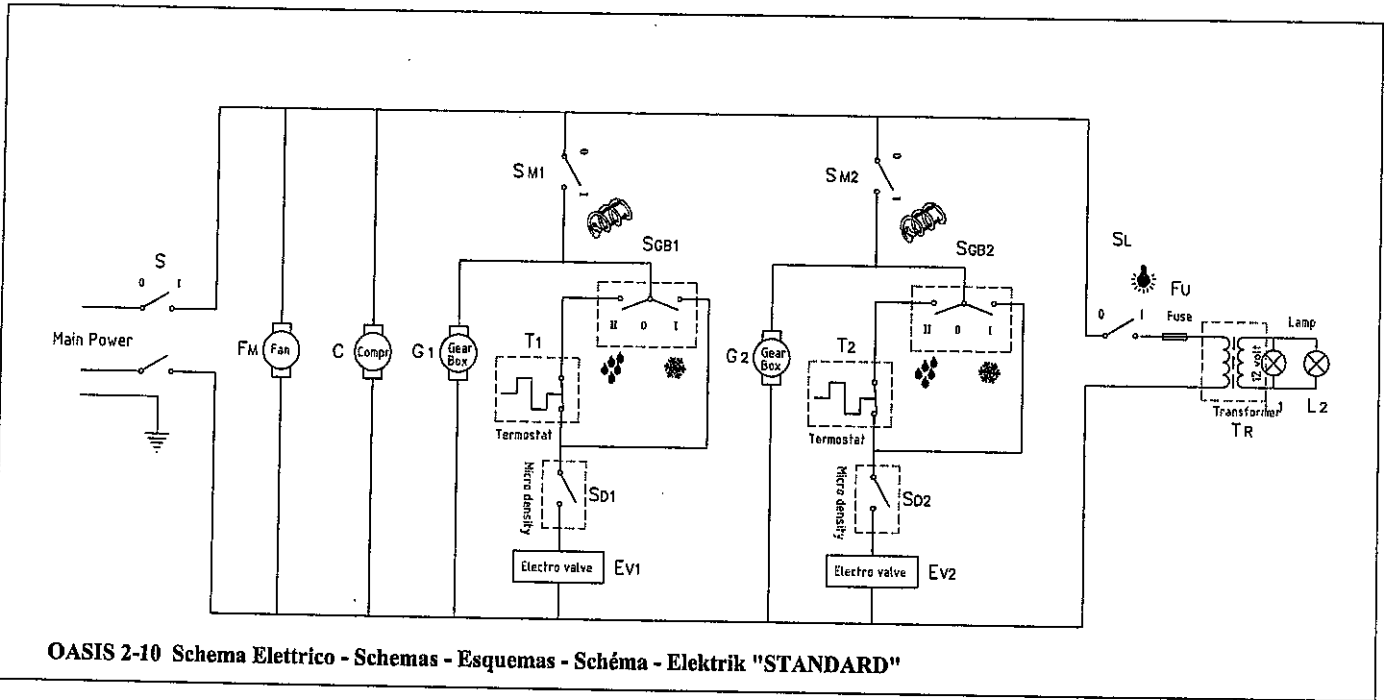
COFRIMELL s.a.s.
(Laminatore)



16. Schemi Circuito Elettrico "STANDARD"



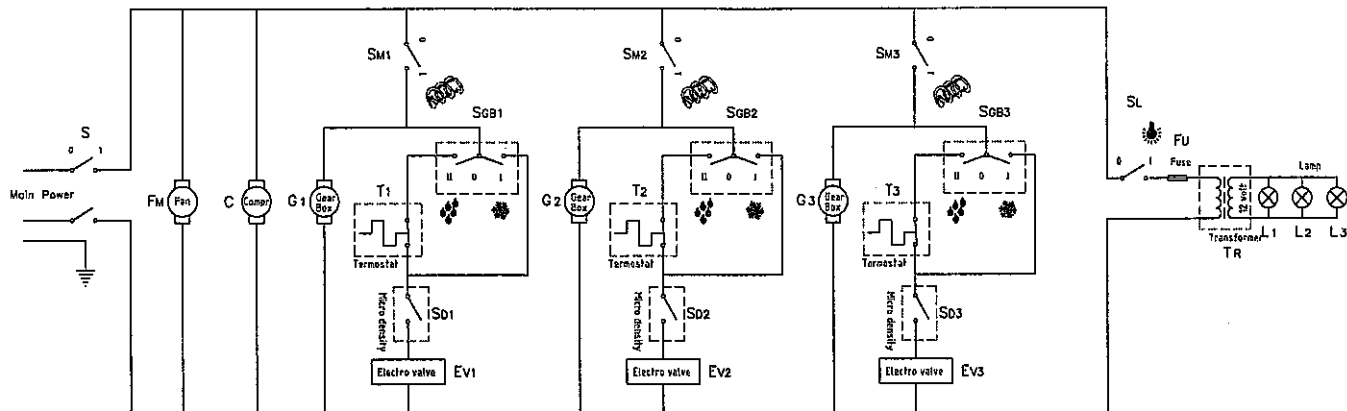
OASIS 1-10 Schema Elettrico - Schemas - Esquemas - Schéma - Elektrik "STANDARD"



OASIS 2-10 Schema Elettrico - Schemas - Esquemas - Schéma - Elektrik "STANDARD"

	Italiano	English	Francaise	Espanol	Deutscher
S	Interruttore generale	Main power switch	Interrupteur général	Interruptor general	Sicherung
G 1,2,3	Motoriduttore	Motor-gearbox	Motoreducteur	Motoreductor	Getriebemotor
FM	Motore ventilatore	Fan motor	Ventilateur	Motor ventilador	Ventilator-motor
C	Compressore	Compressor	Compresseur	Compresor	Kompressor
T 1,2,3	Termostato bibita	Drink thermostat	Thermostat boisson	Thermostate	Thermostate
SD 1,2,3	Micro densità granita	Thickness micro-switch	Interrupteur densité granité	Microinterruptor	Mikroschalter
EV 1,2,3	Elettrovalvola	Electrovalve	Electrovalve	Electrovalvula	Elektroventil
TR	Trasformatore	Tranformer	Transformateur	Transformador	Transformator
L 1,2,3	Lampada luce	Light	Lampe lumier	Luz	Licht
SM 1,2,3	Interruttore miscelatore	Spiral blade switch	Interrupteur mélangeur	Interruptor motor agitador	Motorschalter
SGB 1,2,3	Deviatore	Slush/drink switch	Deviateur	Interruptor granizato-bebida	Schalter für granolat und für gekühlte
TD	Temporizzatore	Timer	Temporisateur	Microinterruptor para el timer	Mikroschalter
FU	Fusibile	Fuse	Fusible	Fusible	Deutscher für timer
SL	Interruttore luce	Light switch	Interrupteur lumier	Interruptor luz	Lichtschalter

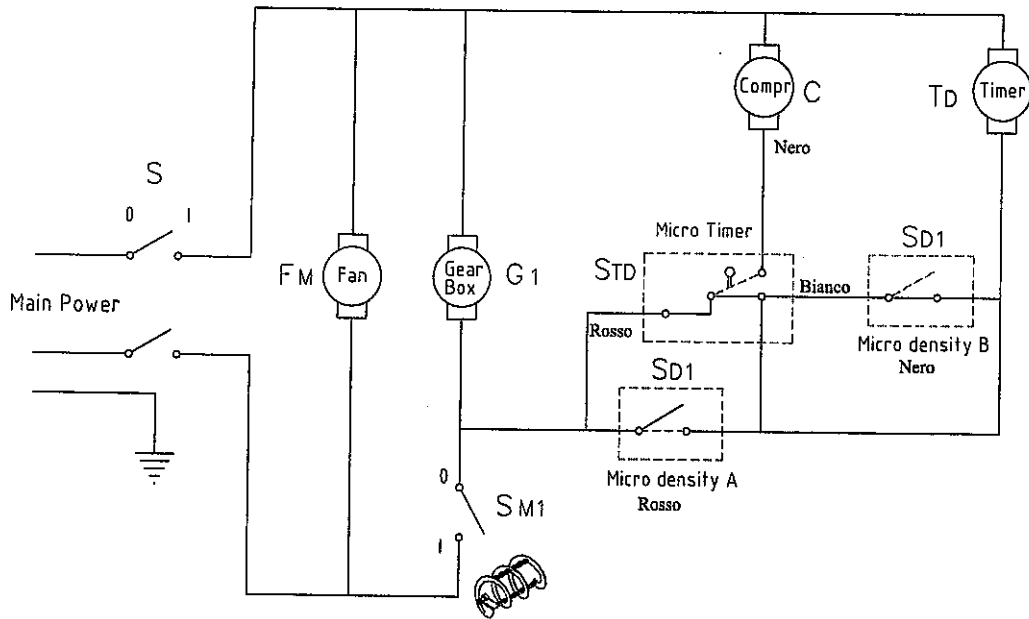
16. Schemi Circuito Elettrico "STANDARD"



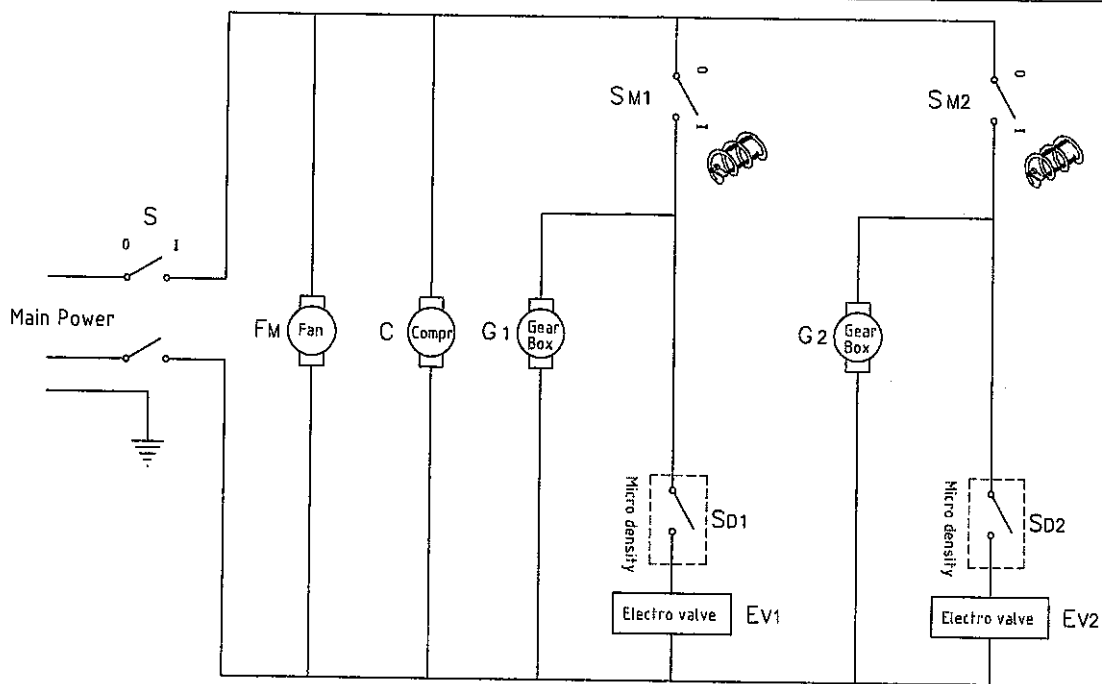
OASIS 3-10 Schema Elettrico - Schemas - Esquemas - Schéma - Elektrik "STANDARD"

	Italiano	English	Francaise	Espanol	Deutscher
S	Interruttore generale	Main power switch	Interrupteur général	Interruptor general	Sicherung
G 1,2,3	Motoriduttore	Motor-gearbox	Motoreducteur	Motoreductor	Getriebemotor
FM	Motore ventilatore	Fan motor	Ventilateur	Motor ventilador	Ventilator-motor
C	Compressore	Compressor	Compresseur	Compresor	Kompressor
T 1,2,3	Termostato bibita	Drink thermostat	Thermostat boisson	Thermostate	Thermostate
SD 1,2,3	Micro densità granita	Thickness micro-switch	Interrupteur densité granité	Microinterruptor	Mikroschalter
EV 1,2,3	Elettrovalvola	Electrovalve	Electrovalve	Electrovalvula	Elektroventil
TR	Trasformatore	Transformer	Transformateur	Transformador	Transformator
L 1,2,3	Lampada luce	Light	Lampe lumier	Luz	Licht
SM 1,2,3	Interruttore miscelatore	Spiral blade switch	Interrupteur mélangeur	Interruptor motor agitador	Motorschalter
SGB 1,2,3	Deviatore	Slush/drink switch	Deviateur	Interruptor granizado-bebida	Schalter für granolat und für gekühlte
TD	Temporizzatore	Timer	Temporisateur	Microinterruptor para el timer	Mikroschalter
FU	Fusibile	Fuse	Fusible	Fusible	Deutscher für timer
SL	Interruttore luce	Light switch	Interrupteur lumier	Interruptor luz	Lichtschalter

16. Schemi Circuito Elettrico "BASIC"



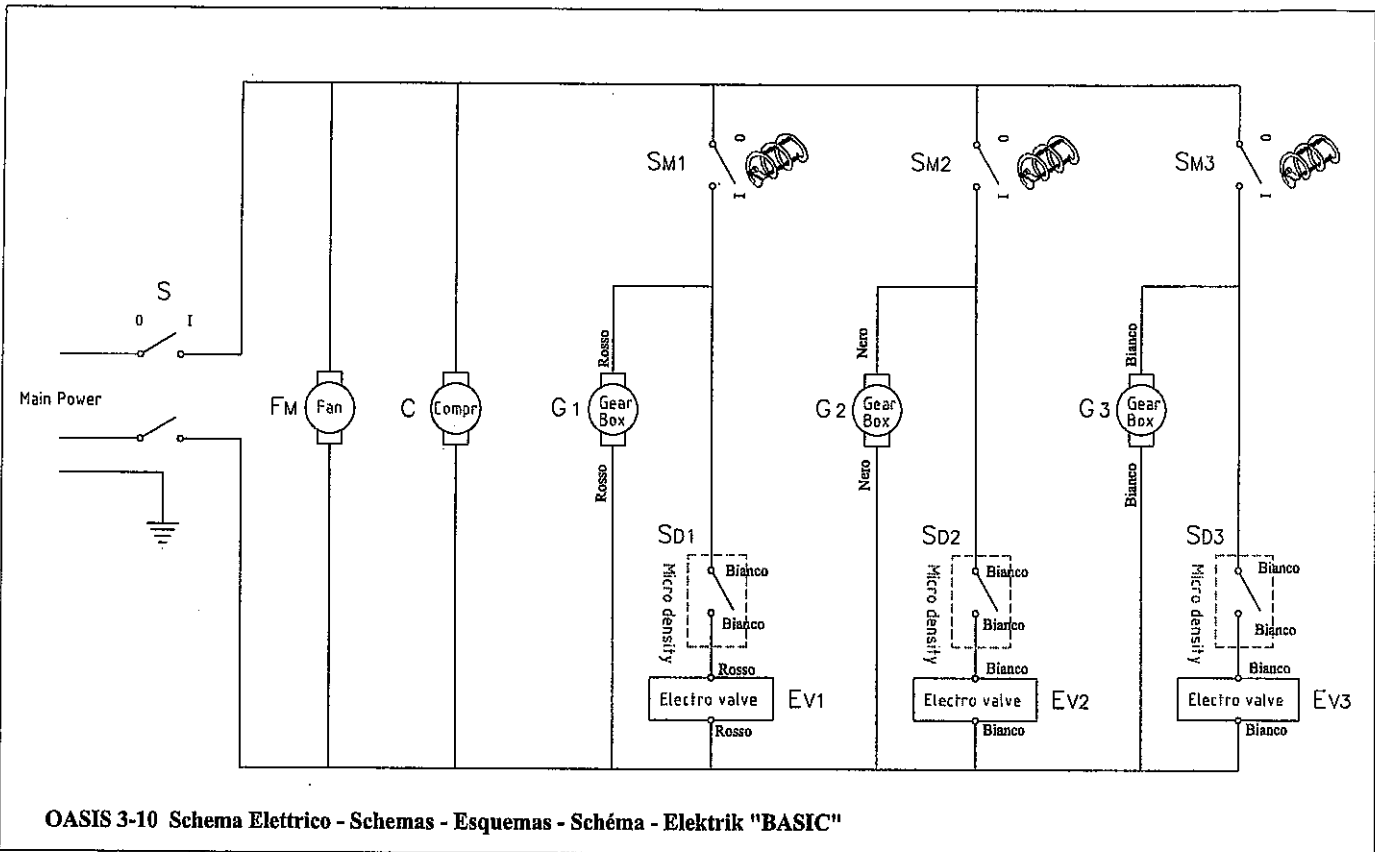
OASIS 1-10 Schema Elettrico - Schemas - Esquemas - Schéma - Elektrik "BASIC"



OASIS 2-10 Schema Elettrico - Schemas - Esquemas - Schéma - Elektrik "BASIC"

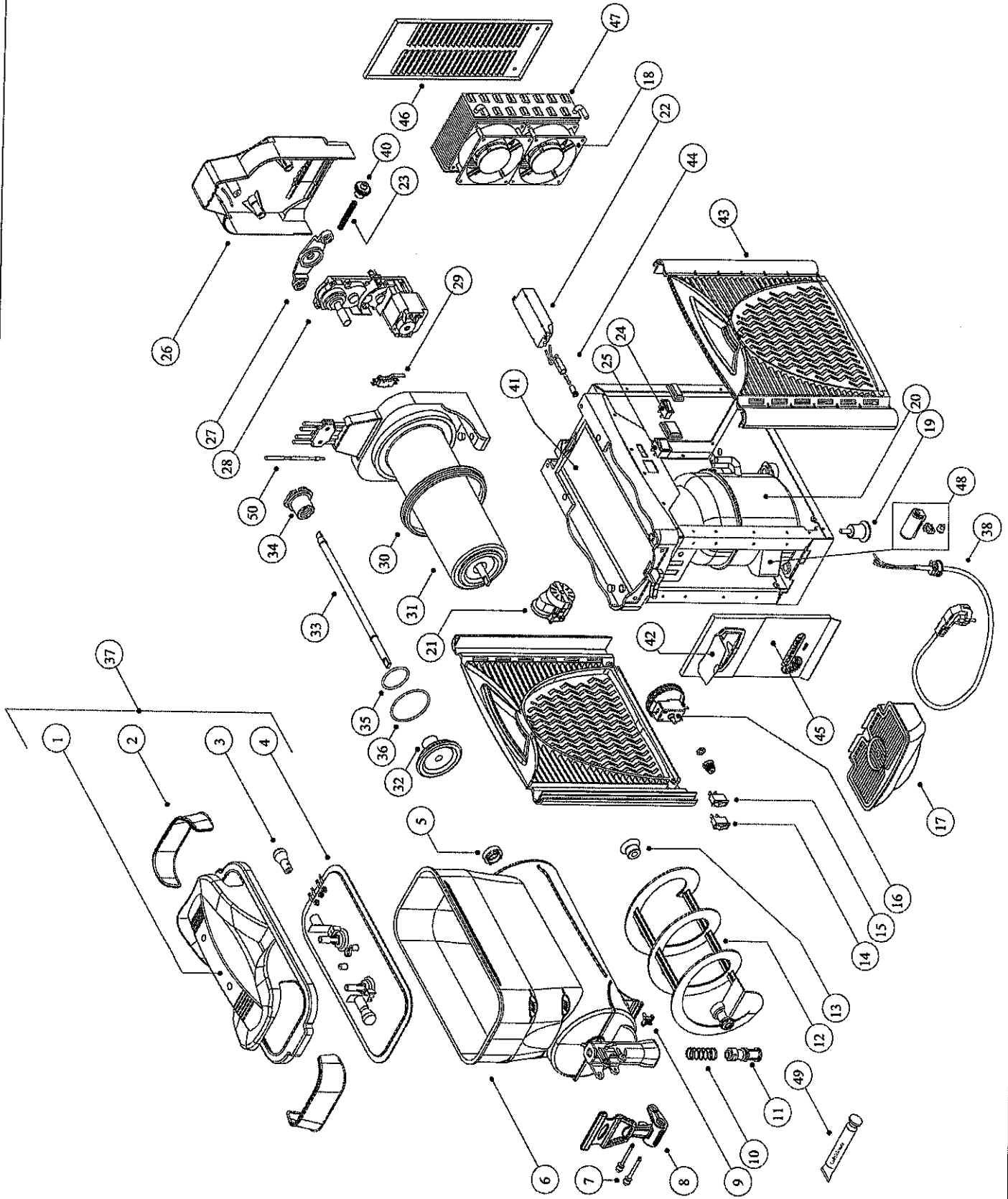
	Italiano	English	Francaise	Espanol	Deutscher
S	Interruttore generale	Main power switch	Interrupteur général	Interruptor general	Sicherung
G 1,2,3	Motoriduttore	Motor-gearbox	Motoreducteur	Motoreductor	Getriebemotor
FM	Motore ventilatore	Fan motor	Ventilateur	Motor ventilador	Ventilator-motor
C	Compressore	Compressor	Compresseur	Compresor	Kompressor
SD 1,2,3	Micro densità granita	Thickness micro-switch	Interrupteur densité granité	Microinterruptor	Mikroschalter
EV 1,2,3	Elettrovalvola	Electrovalve	Electrovalve	Electrovalvula	Elektroventil
SM 1,2,3	Interruttore miscelatore	Spiral blade switch	Interrupteur mélangeur	Interruptor motor agitador	Motorschalter
SGB 1,2,3	Deviatore	Slush/drink switch	Deviateur	Interruptor granizado-bebida	Schalter für granolat und für gekühlte
TD	Temporizzatore	Timer	Temporisateur	Microinterruptor para el timer	Mikroschalter

16. Schemi Circuito Elettrico "BASIC"



	Italiano	English	Francaise	Espanol	Deutscher
S	Interruttore generale	Main power switch	Interrupteur général	Interruptor general	Sicherung
G 1,2,3	Motoriduttore	Motor-gearbox	Motoreducteur	Motoreductor	Getriebemotor
FM	Motore ventilatore	Fan motor	Ventilateur	Motor ventilador	Ventilator-motor
C	Compressore	Compressor	Compresseur	Compresor	Kompressor
SD 1,2,3	Micro densità granita	Thickness micro-switch	Interrupteur densité granité	Microinterruptor	Mikroschalter
EV 1,2,3	Elettrovalvola	Electrovalve	Electrovalve	Electrovalvula	Elektroventil
SM 1,2,3	Interruttore miscelatore	Spiral blade switch	Interrupteur mélangeur	Interruptor motor agitador	Motorschalter
SGB 1,2,3	Deviatore	Slush/drink switch	Deviateur	Interruptor granizado-bebida	Schalter für gramolat und für gekühlte
TD	Temporizzatore	Timer	Temporisateur	Microinterruptor para el timer	Mikroschalter

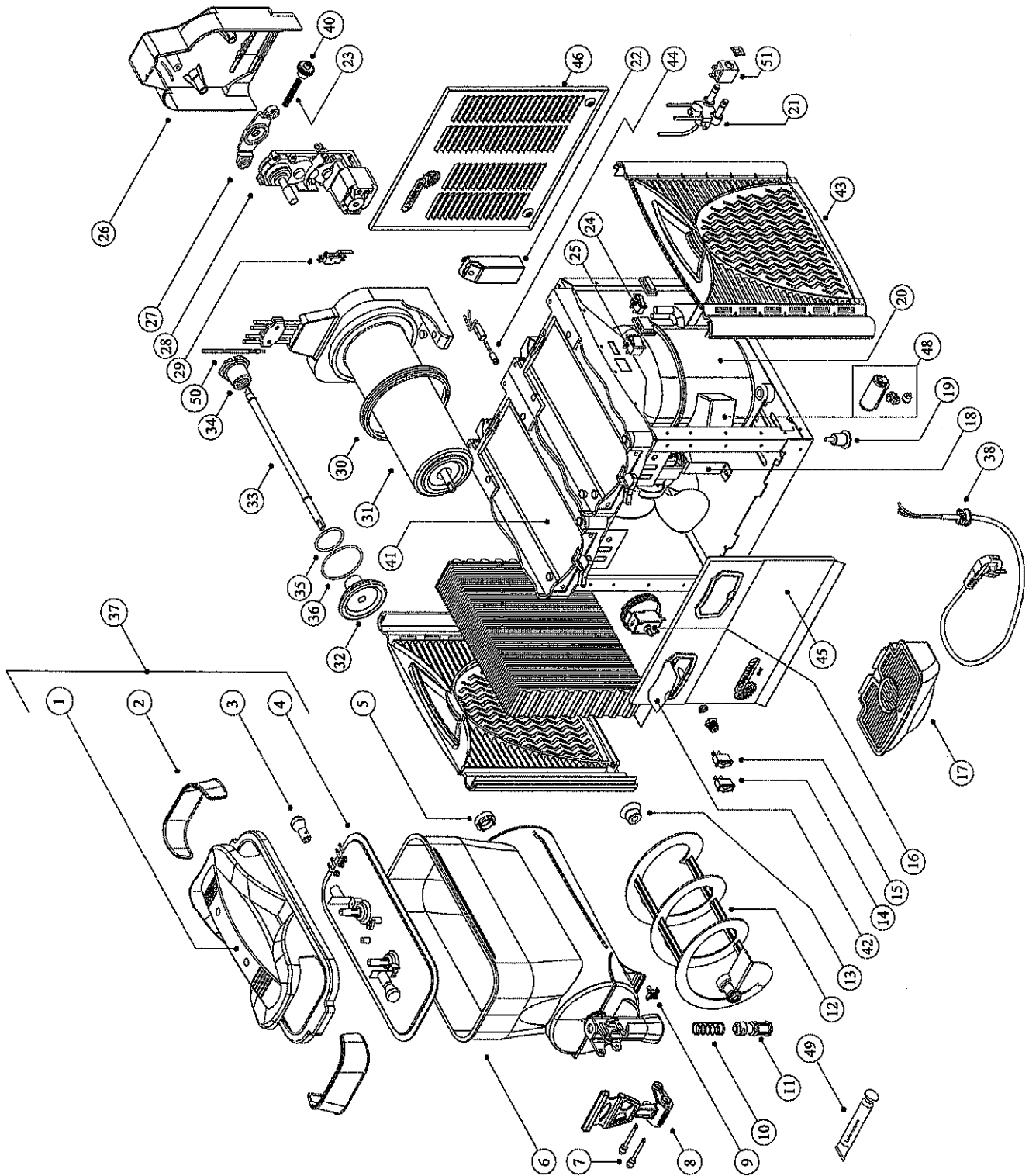
OASIS 1-10



Oasis 1-10

Pos.	Codice	Ricambi	Spare parts	Rechange	Repuestos
1	2107	Coperchio	Lid	Couvercle	Tapa
2	2122	Schermo coperchio Oasis	Screen for lid	Schèmes couvercle	Pantalla tapa
3	2158	Lampadina 12V-10W	12V-10W lamp	Ampoule 12V-10W	Bombilla 12V-10W
4	2127	Sotto coperchio	Under-lid	Sous - couvercle	Tapa inferior
5	2112	Ghiera per girante	Metal ring for spiral blade	Frette pour vis s.f.	Abrazadera espiral
6	2133	Vasca Oasis 10 Lt	Bowl Oasis 10Lt	Cuve 10 Lt	Tanque Oasis 10 Lt
7	2150	Perno rotazione leva	Rotation pin	Pivot rotation levier	Pivote rotación palanca
8	2117	Leva rubinetto	Tap lever	Levier robinet	Palanca grifo
9	2149	Pomello	Fixing knob	Pommeau	Pomo de fijado
10	2120	Molla rubinetto	Tap spring	Ressort robinet	Muelle grifo
11	2134	Valvola rubinetto	Tap valve	Soupape robinet	Válvula grifo
12	2113	Girante	Spiral blade	Vis san fin	Espiral
13	2115	Guarnizione Girante-Mozzo	Spiral blade gasket	Joint vis s.f.-moyeu	Guarnición espiral
14	2137	Deviatore Granita-Bibita	Slush/Drink switch	Deviateur Granité-Boisson	Interruptor Granizado-Bebida
15	56	Interruttore Girante	Spiral blade switch	Interrupteur vis s.f.	Interruptor espiral
16	2160	Termostato	Thermostat	Thermostat	Termòstato
17	2161	Vaschetta raccogliacqua completa	Complete drip tray	Cuvette d'écoulement complete	Cajon gotero
18	182	Ventilatore 220-240 V - 50/60 Hz	Fan motor 220-240V - 50/60Hz	Moteur ventilateur 220-240V-50/60Hz	Motor ventilador 220-240V-50/60Hz
	68	Ventilatore 115 V - 60 Hz	Fan motor 115V - 60Hz	Moteur ventilateur 115V - 60Hz	Motor ventilador 115V - 60Hz
19	2153	Piedino livellatore H=35	Rubber leg H=35	Pieds de réglage h ₁ = 35	Patita nivelador
20	2164	Compressore 220-240V - 50Hz	Compressor 220-240V-50Hz	Compresseur 220-240V-50Hz	Compresor 220-240V-50Hz
	2165	Compressore 115V - 60Hz	Compressor 115V-60Hz	Compresseur 115V-60Hz	Compresor 115V-60Hz
21	2162	Timer 220V - Temporizzatore 4'	Timer 220V (4 min)	Timer 220V-Temporisateur 4'	Temporizador 220V
	2163	Timer 115V - Temporizzatore 4'	Timer 115V (4min)	Timer 115V-Temporisateur 4'	Temporizador 115V
22	2166	Trasformatore 220-240V - 50Hz	Transformer 220-240V - 50Hz	Transformateur 220-240V - 50Hz	Transformador 220-240V - 50Hz
	2167	Trasformatore 115V - 60Hz	Transformer 115V - 60Hz	Transformateur 115V - 60Hz	Transformador 115V - 60Hz
23	2157	Molla regolazione densità	Thickness control spring	Ressort régulation densité	Muelle regulación densidad
24	56	Interruttore luce	Light switch	Interrupteur lumier	Interruptor luz
25	57	Interruttore generale	Main switch	Interrupteur général	Interruptor general
26	2108	Coperchio supp. posteriore	Back support cover	Couvercle support postérieurs	Tapa soporte posterior
27	2131	Staffa per motoriduttore	Motor-gearbox support	Étier pour motoreducteur	Es trío
28	2121	Motoriduttore 220/115V - 50/60Hz	Motor-gearbox 220/115V-50/60hz	Motoreducteur 220/115V 50-60Hz	Motor reductor 220/115V 50-60Hz
29	2168	Micro interruttore	Micro-switch	Micro-interrupteur	Micro-interruptor
30	2116	Guarnizione vasca	Bowl gasket	Joint cuve	Guarnición tanque
31	2110	Evaporatore	Evaporator	Évaporateur	Evaporador
32	2145	Mozzo completo	Evaporator cover	Moyen complete	Cubo evaporador
33	2101	Albero trasmissione	Transmission shaft	Arbre transmission	Árbol de transmisión
34	2111	Ghiera M25	Metal ring M25	Frette M25	Abrazadera M25
35	2123	OR interno mozzo piccolo	Evaporator cover inner OR (small)	OR intérieur moyen petit	OR interior cubo pequeño
36	154	OR interno mozzo grande	Evaporator cover inner OR (large)	OR intérieur moyen grand	OR interior cubo grande
37	2159	Coperchio completo	Complete lid	Couvercle complete	Tapa completa
38	54	Cavo alimentazione 220V	Cable cord 220V	Câble d'alimentation 220V	Cable alimentación 220V
	407	Cavo alimentazione 115V	Cable cord 115V	Câble d'alimentation 115V	Cable alimentación 115V
40	2169	Manopola regolazione granita	Thickness control knob	Bouton régulation granité	Manopla regulación densidad
41	2125	Piano evaporatore	Evaporator plate	Plan évaporateur	Banco evaporador
42	2126	Scatola comandi	Switches box	Boîte commande	Caja interruptores
43	2148	Pannello laterale	Side panel	Panneau latérales	Panel lateral
44	2172	Fusibile	Fuse	Fusible	Fusible
45	2220	Pannello frontale	Front panel	Panneau frontal	Panel frontal
46	2174	Pannello posteriore	Back panel	Panneau postérieur	Panel posterior
47	2175	Scambiatore di calore	Condenser	Condensateur	Condensador
48	2164.01	Kit parti elettriche 220-240V - 50Hz	Electric parts kit 220-240V-50Hz	Kit électrique 220-240V-50HZ	Kit partes eléctricos 220-240V-50Hz
	2165.01	Kit parti elettriche 115V - 60Hz	Electric parts kit 115V-60Hz	Kit électrique 115V - 60Hz	Kit partes eléctricos 115V-60Hz
49	2118	Tubetto lubrificante	Lubricant tube	Tube lubrifiante	Tubo lubricante
50	2103	Asta contatti elettrici	Electric contact shaft	Tige contact électrique	Asta contactos electricos

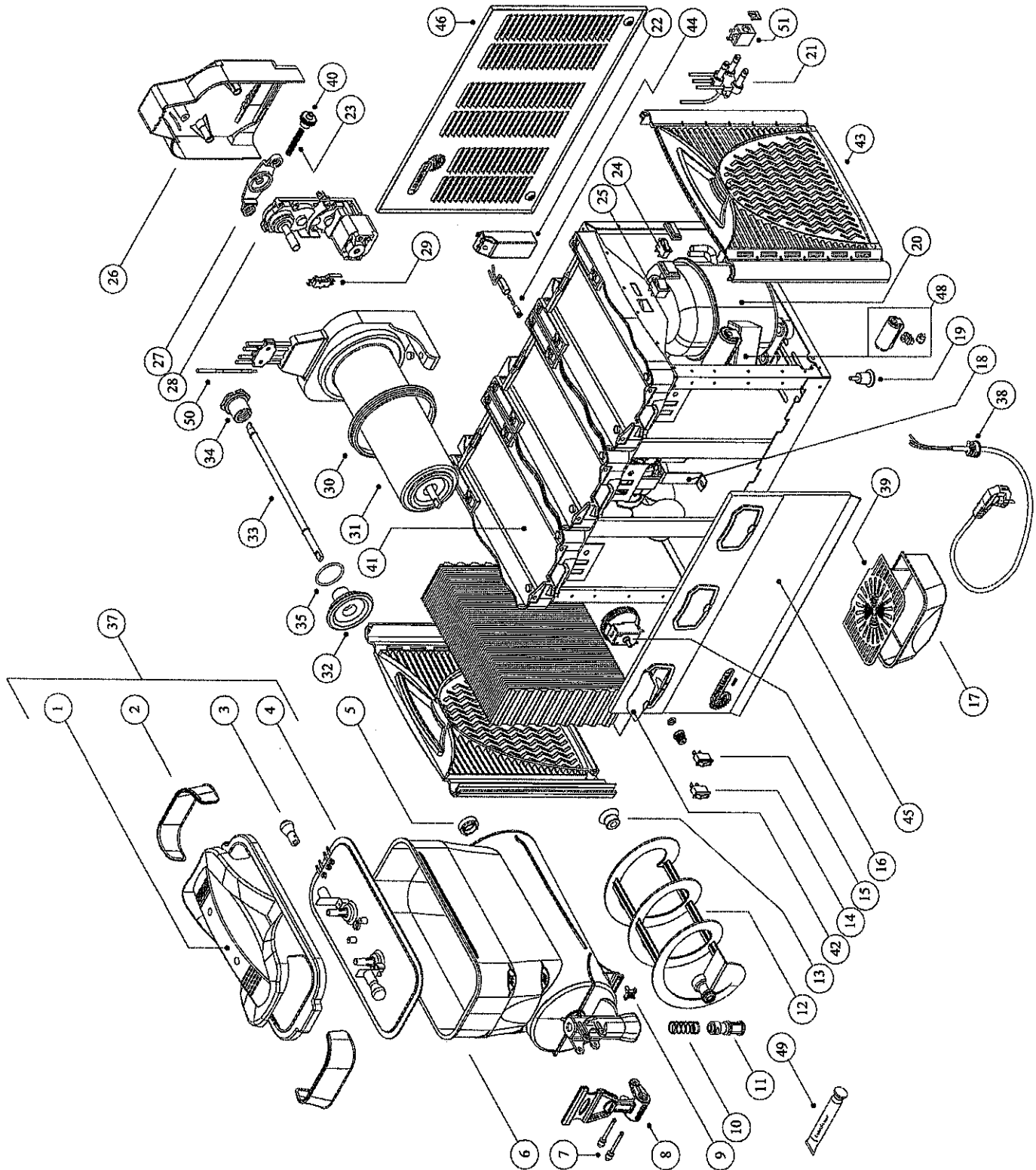
OASIS 2-10



Oasis 2-10

Pos.	Codice	Ricambi	Spare parts	Rechange	Repuestos
1	2107	Coperchio	Lid	Couvercle	Tapa
2	2122	Schermo coperchio Oasis	Screen for lid	Schèmes couvercle	Pantalla tapa
3	2158	Lampadina 12V - 10W	12V lamp	Ampoule	Bombilla 12V-10W
4	2127	Sotto coperchio	Under-lid	Sous - couvercle	Tapa inferior
5	2112	Ghiera per girante	Metal ring for spiral blade	Frette pour vis s.f.	Abrazadera espiral
6	2133	Vasca Oasis 10 lt	Bowl Oasis 10Lt	Cuve 10 Lt.	Tanque Oasis 10 Lt
7	2150	Pemo rotazione leva	Rotation pin	Pivot rotation levier	Pivote rotación palanca
8	2117	Leva rubinetto	Tap lever	Levier robinet	Palanca grifo
9	2149	Pomello	Fixing knob	Pommeau	Pomo de fijado
10	2120	Molla rubinetto	Tap spring	Ressort robinet	Muella grifo
11	2134	Valvola rubinetto	Tap valve	Soupape robinet	Válvula grifo
12	2113	Girante	Spiral blade	Vis san fin	Espiral
13	2115	Guarnizione Girante-Mozzo	Spiral blade gasket	Joint vis s.f.-moyeu	Guarnición espiral
14	2137	Deviatore Granita-Bibita	Slush/Drink switch	Deviateur Granité-Boisson	Interruptor Granizado r-Bebida
15	56	Interruttore Girante	Spiral blade switch	Interrupteur vis s.f.	Interruptor espiral
16	2160	Termostato	Thermostat	Thermostat	Termò stato
17	2161	Vaschetta raccogli gocce completa	Complete drip tray	Cuvette d'ecolement complete	Cajon gotero
18	2138	Ventilatore 220-240V - 50/60Hz	Fan motor 220-240V - 50/60Hz	Moteur ventilateur 220-240V-50/60Hz	Motor ventilador 220-240V-50/60Hz
18	2208	Ventilatore 115V - 60Hz	Fan motor 115V - 60Hz	Moteur ventilateur 115V- 60HZ	Motor ventilador 115V- 60Hz
19	2153	Piedino livellatore H=35	Rubber leg H=35	Pieds de réglage h= 35	Patita nivelador
20	2186	Compressore 220-240V - 50Hz	Compressor 220-240V-50Hz	Compresseur 220-240V-50Hz	Compressor 220-240V-50Hz
20	2187	Compressore 115V - 60Hz	Compressor 115V - 60Hz	Compresseur 115V - 60Hz	Compressor 115V - 60Hz
21	2143	Elettrovalvola Completa 220V	Electrovalve complete 220V	Electrovalve complete 220V	Electra válvula 220V
21	2184	Elettrovalvola Completa 115V	Electrovalve complete 115V	Electrovalve complete 115V	Electra válvula 115V
22	2166	Trasformatore 220-240V - 50Hz	Transformer 220-240V - 50Hz	Transformateur 220-240V-50Hz	Transformador 220-240V - 50Hz
22	2167	Trasformatore 115V - 60Hz	Transformer 115V - 60Hz	Transformateur 115V - 60Hz	Transformador 115V - 60Hz
23	2157	Molla regolazione densità	Thickness control spring	Ressort régulation densité	Muella regulación densidad
24	56	Interruttore luce	Light switch	Interrupteur lumier	Interruptor luz
25	57	Interruttore generale	Main switch	Interrupteur général	Interruptor general
26	2108	Coperchio supp. posteriore	Back support cover	Couvercle support posterieurs	Tapa soporte posterior
27	2131	Staffa per motoriduttore	Motor-gearbox support	Étrier pour motoreducteur	EsTRIBO
28	2121	Motoriduttore 220/115 Volt - 50/60 Hz	Motor-gearbox 220/115V-50/60hz	Motoreducteur 220/115V 50Hz	Motor reductor 220/115V 50-60Hz
29	2168	Micro interruttore	Micro-switch	Micro interrupteur	Micro-interruptor
30	2116	Guarnizione vasca	Bowl gasket	Joint cuve	Guarnición tanque
31	2110	Evaporatore	Evaporator	Évaporateur	Evaporador
32	2145	Mozzo completo	Evaporator cover	Moyen complete	Cubo evaporador
33	2101	Albero trasmissione	Transmission shaft	Arbre transmission	Árbol de transmisión
34	2111	Ghiera M25	Metal ring M25	Frette M25	Abrazadera M25
35	2123	OR interno mozzo piccolo	Evaporator cover inner OR (small)	OR intérieur moyen petit	OR interior cubo pequeño
36	154	OR interno mozzo grande	Evaporator cover inner OR (large)	OR intérieur moyen grand	OR interior cubo grande
37	2159	Coperchio completo	Complete lid	Couvercle complete	Tapa completa
38	54	Cavo alimentazione 220V	Cable cord 220V	Câble d'alimentation 220V	Cable alimentación 220V
38	407	Cavo alimentazione 115V	Cable cord 115V	Câble d'alimentation 115V	Cable alimentación 115V
40	2189	Manopola la regolazione granita	Thickness control knob	Bouton régulation granité	Manopla regulación densidad
41	2125	Piano evaporatore	Evaporator plate	Plan évaporateur	Banco evaporador
42	2126	Scatola comandi	Switches box	Boîte commande	Caja interruptores
43	2148	Pannello laterale	Side panel	Panneau latérales	Panel lateral
44	2172	Fusibile	Fuse	Fusible	Fusible
45	2220.01	Pannello frontale	Front panel	Panneau frontal	Panel frontal
46	2174.01	Pannello posteriore	Back panel	Panneau posterieur	Panel posterior
47	2146	Scambiatore di calore	Condenser	Condensateur	Condensador
48	2186.01	Kit parti elettriche 220-240V - 50Hz	Electric parts kit 220-240V-50Hz	Kit électrique 220-240V-50HZ	Kit partes eléctricos 220-240V-50Hz
48	2187.01	Kit parti elettriche 115V - 60Hz	Electric parts kit 115V-60Hz	Kit électrique 115V - 60Hz	Kit partes eléctricos 115V-60Hz
49	2118	Tubetto lubrificante	Lubricant tube	Tube lubrifiant	Tubo lubricante
50	2103	Asta contatti elettrici	Electric contact shaft	Tige contact électrique	Asta contactos electricos
51	2105	Bobina 220V - 50/60Hz	Coil 220V - 50/60Hz	Bobine 220V -50/60Hz	Bobina 220V - 50/60Hz
51	2183	Bobina 115V - 50/60Hz	Coil 115V - 50/60Hz	Bobine 115V -50/60Hz	Bobina 115V - 50/60Hz

OASIS 3-10



Oasis 3-10

Pos.	Codice	Ricambi	Spare parts	Rechange	Repuestos
1	2107	Coperchio	Lid	Couvercle	Tapa
2	2122	Schermo coperchio Oasis	Screen for lid	Schémes couvercle	Pantalla tapa
3	2158	Lampadina 12V - 10W	12V lamp	Ampoule	Bombilla 12V-10W
4	2127	Sotto coperchio	Under-lid	Sous - couvercle	Tapa inferior
5	2112	Ghiera per girante	Metal ring for spiral blade	Frette pour vis s.f.	Abrazadera espiral
6	2133	Vasca Oasis 10 lt	Bowl Oasis 10Lt	Cuve 10 Lt.	Tanque Oasis 10 Lt
7	2150	Perno rotazione leva	Rotation pin	Pivot rotation levier	Pivote rotación palanca
8	2117	Leva rubinetto	Tap lever	Levier robinet	Palanca grifo
9	2149	Pomello	Fixing knob	Pommeau	Pomo de fijado
10	2120	Molla rubinetto	Tap spring	Ressort robinet	Muella grifo
11	2134	Valvola rubinetto	Tap valve	Soupape robinet	Válvula grifo
12	2113	Girante	Spiral blade	Vis san fin	Espiral
13	2115	Guarnizione Girante-Mozzo	Spiral blade gasket	Joint vis s.f.-moyeu	Guarnición espiral
14	2137	Deviatore Granita-Bibita	Slush/Drink switch	Deviateur Granité-Boisson	Interruptor Granizado-Bebida
15	56	Interruttore Girante	Spiral blade switch	Interrupteur vis s.f.	Interruptor espiral
16	2160	Termostato	Thermostat	Thermostat	Termostato
17	2161	Vaschetta raccogli gocce completa	Complete drip tray	Cuvette d'écoulement complete	Cajon gotero
18	2139	Ventilatore 220-240V - 50/60Hz	Fan motor 220-240V - 50/60Hz	Moteur ventilateur 220-240V-50/60Hz	Motor ventilador 220-240V-50/60Hz
	2218	Ventilatore 115V - 60Hz	Fan motor 115V - 60Hz	Moteur ventilateur 115V- 60Hz	Motor ventilador 115V - 60Hz
19	2153	Piedino livellatore H=35	Rubber leg H=35	Pieds de réglage h=35	Patita nivelador
20	2188	Compressore 220-240V - 50Hz	Compressor 220-240V-50Hz	Compresseur 220-240V-50Hz	Compressor 220-240V-50Hz
	2189	Compressore 115V - 60Hz	Compressor 115V - 60Hz	Compresseur 115V - 60Hz	Compressor 115V - 60Hz
21	2144	Elettrovalvola Completa 220V	Electro valve complete 220V	Electro valve complete 220V	Electra válvula 220V
	2185	Elettrovalvola Completa 115V	Electro valve complete 115V	Electro valve complete 115V	Electra válvula 115V
22	2166	Trasformatore 220-240V - 50Hz	Transformer 220-240V - 50Hz	Transformateur 220-240V-50Hz	Transformador 220-240V - 50Hz
	2167	Trasformatore 115V - 60Hz	Transformer 115V - 60Hz	Transformateur 115V - 60Hz	Transformador 115V - 60Hz
23	2157	Molla regolazione densità	Thickness control spring	Ressort régulation densité	Muella regulación densidad
24	56	Interruttore luce	Light switch	Interrupteur lumier	Interruptor luz
25	57	Interruttore generale	Main switch	Interrupteur général	Interruptor general
26	2108	Coperchio supp. posteriore	Back support cover	Couvercle support postérieurs	Tapa soporte posterior
27	2131	Staffa per motoriduttore	Motor-gearbox support	Étrier pour motoreducteur	Estribo
28	2121	Motoriduttore 220/115 Volt - 50/60 Hz	Motor-gearbox 220/115V-50/60hz	Motoreducteur 220/115V 50Hz	Motor reductor 220/115V 50-60Hz
29	2168	Micro interruttore	Micro-switch	Micro interrupteur	Micro-interruptor
30	2116	Guarnizione vasca	Bowl gasket	Joint cuve	Guarnición tanque
31	2110	Evaporatore	Evaporator	Évaporateur	Evaporador
32	2145	Mozzo completo	Evaporator cover	Moyen complete	Cubo evaporador
33	2101	Albero trasmissione	Transmission shaft	Arbre transmission	Árbol de transmisión
34	2111	Ghiera M25	Metal ring M25	Frette M25	Abrazadera M25
35	2123	OR interno mozzo piccolo	Evaporator cover inner OR (small)	OR intérieur moyen petit	OR interior cubo pequeño
36	154	OR interno mozzo grande	Evaporator cover inner OR (large)	OR intérieur moyen grand	OR interior cubo grande
37	2159	Coperchio completo	Complete lid	Couvercle complete	Tapa completa
38	54	Cavo alimentazione 220V	Cable cord 220V	Câble d'alimentation 220V	Cable alimentación 220V
	407	Cavo alimentazione 115V	Cable cord 115V	Câble d'alimentation 115V	Cable alimentación 115V
40	2189	Manopola regolazione granita	Thickness control knob	Bouton régulation granité	Manopla regulación densidad
41	2125	Piano evaporatore	Evaporator plate	Plan évaporateur	Banco evaporador
42	2126	Scatola comandi	Switches box	Boîte commande	Caja interruptores
43	2148	Pannello laterale	Side panel	Panneau latérales	Panel lateral
44	2172	Fusibile	Fuse	Fusible	Fusible
45	2220.02	Pannello frontale	Front panel	Panneau frontal	Panel frontal
46	2174.02	Pannello posteriore	Back panel	Panneau postérieur	Panel posterior
47	2146	Scambiatore di calore	Condenser	Condensateur	Condensador
48	2188.01	Kit parti elettriche 220-240V - 50Hz	Electric parts kit 220-240V-50Hz	Kit électrique 220-240V-50HZ	Kit partes eléctricos 220-240V-50Hz
	2189.01	Kit parti elettriche 115V - 60Hz	Electric parts kit 115V-60Hz	Kit électrique 115V - 60Hz	Kit partes eléctricos 115V-60Hz
49	2118	Tubetto lubrificante	Lubricant tube	Tube lubrifiante	Tubo lubricante
50	2103	Asta contatti elettrici	Electric contact shaft	Tige contact électrique	Asta contactos electricos
51	2105	Bobina 220V - 50/60Hz	Coil 220V - 50/60Hz	Bobine 220V -50/60Hz	Bobina 220V - 50/60Hz
	2183	Bobina 115V - 50/60Hz	Coil 115V - 50/60Hz	Bobine 115V -50/60Hz	Bobina 115V - 50/60Hz



**COLD DRINK DISPENSERS
HOT DRINK DISPENSERS
WHIPPER DISPENSERS
SLUSH MACHINES**

COFRIMELL s.a.s.
00040 Pomezia - Roma (Italy)
Via Delle Monachelle, 66/B
Ph.: +39-06-91602967 r.a.
Fax: +39-06-9107060
www.cofrimell.com
e-mail: info@cofrimell.com