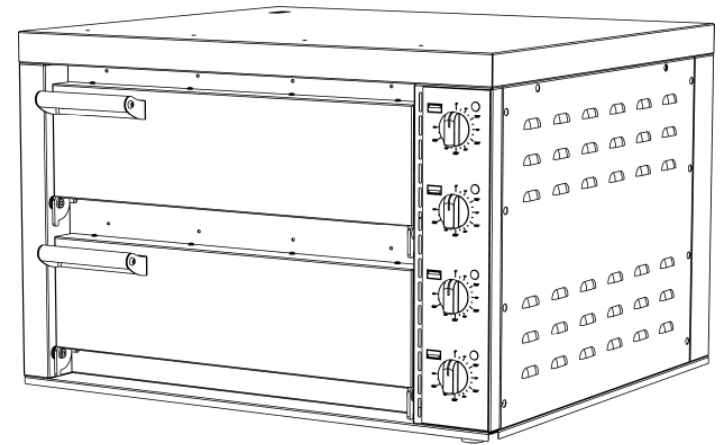


**SERVICE CENTRE
AUTHORISED DEALER**

USE AND MAINTENANCE MANUAL



Ed. 09/2022 - ver. 002

Pizza Ovens VCN 2C

English

CHAP. 9 - WIRINGS DIAGRAMS

9.1 - OVEN - 1ph or 3ph 208V / 220V.

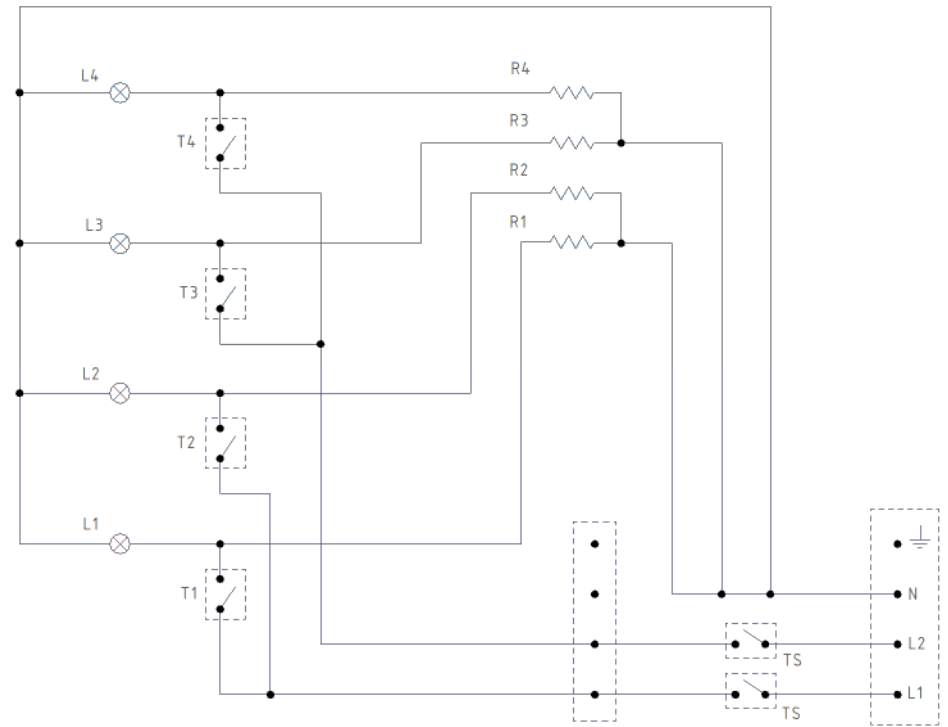


FIG. n°7

English

CHAP. 8 - DISMANTLING

8.1 - PUTTING THE OVEN OUT OF SERVICE

If for some reason, you decide to put the Oven out of service, make sure nobody can use it: disconnect it from the mains and eliminate electrical connections.

8.2 - WEEE Waste Electrical and Electronic Equipment



This symbol, crossed out wheeled bin, on the product or on its packaging indicates that this product must not be disposed of with your other household waste.

Separate waste collection of this appliance is organised and managed by the manufacturer. It is the user's responsibility to contact the manufacturer and follow the waste treatment system the manufacturer has adopted for separate waste collection of this appliance when it is to be scrapped.

The separate collection and recycling of your waste equipment at the time of disposal will help to conserve natural resources and ensure that it is recycled in a manner that protects human health and the environment.

Illegal dumping of the appliance by the user is liable to prosecution by law.

FOREWORD

- *This manual is meant to provide Customers with information on the Oven and its specifications, and provides all the necessary operating and maintenance instructions in order to ensure Oven performance and longevity.*
- *This manual should be accessible to all maintenance and operating personnel.*

CONTENTS

CHAP. 1 - INFORMATION ON THE OVEN	page 4
1.1 - GENERAL SAFETY PRECAUTIONS	
1.2 - DESCRIPTION OF THE OVEN	
1.2.1 - general description	
1.2.2 - construction features	
1.2.3 - Oven parts	
CHAP. 2 - TECHNICAL SPECIFICATION	page 5
2.1 - OVERALL DIMENSIONS, WEIGHT, FEATURES	
CHAP. 3 - RECEIVING THE OVEN	page 6
3.1 - DESPATCH OF THE OVEN	
3.2 - CHECKING PACKAGING UPON RECEIPT	
3.3 - PACKAGING DISPOSAL	
CHAP. 4 - INSTALLATION	page 7
4.1 - OVEN LOCATION	
4.2 - ELECTRICAL CONNECTION	
4.2.1 - electrical connection of the oven	
4.3 - OPERATIONAL CHECK	
CHAP. 5 - USE OF THE OVEN	page 8
5.1 - CONTROLS	
5.2 - LOADING AND COOKING THE PRODUCT	
CHAP. 6 - ROUTINE CLEANING	page 9
6.1 - FOREWORD	
6.2 - HOW TO CLEAN THE OVEN	
CHAP. 7 - MAINTENANCE	page 9
7.1 - FOREWORD	
7.2 - POWER SUPPLY CABLE	
7.3 - TROUBLESHOOTING	
CHAP. 8 - DISMANTLING	page 10
8.1 - PUTTING THE OVEN OUT OF SERVICE	
8.2 - WEEE Waste Electrical and Electronic Equipment	
CHAP. 9 - WIRINGS DIAGRAMS	page 11
9.1 - OVEN - 3ph 400V.	

CHAP. 1 - INFORMATION ON THE OVEN

1.1 - GENERAL PRECAUTIONS

- The Oven must be operated only by highly qualified personnel who are fully aware of the safety measures described in this manual.
- In case of a personnel turnover, training is to be provided in advance.
- Before starting cleaning and maintenance operations, disconnect the plug from the supply socket.
- To carry out cleaning and maintenance of the Oven, assess the residual risks carefully.
- Cleaning and maintenance require concentration.
- A regular check of the power supply cable is absolutely necessary; a worn-out or damage cord is very dangerous.
- If the Oven shows signs of failure or malfunction, do not use and do not repair the appliance. Contact your local Service Assistance Centre.
- Do not use the Oven for processing frozen products and non food products.
- The manufacturer shall not be liable for damage to things or injury to persons in the event:
 - ⇒ The Oven or the safety devices and protections have been tampered with by non authorised personnel.
 - ⇒ Parts are replaced with non original spares.
 - ⇒ The instructions provided in this manual are not followed **scrupulously**.
 - ⇒ The Oven surface is not cleaned with the right product.

1.2 - DESCRIPTION OF THE OVEN

1.2.1 - general description

The Oven has been designed and manufactured by our firm with the aim of ensuring:

- the highest degree of safety during use, cleaning and maintenance;
- the highest standard of hygiene due to a careful selection of materials which come into contact with food products;
- robust and stable components;
- practical and easy to move.

The oven has been designed for cooking pizzas, focaccia, piadine, etc. Do not use it for cooking other foods (meat, vegetables, etc.)

1.2.2 - construction features

This appliance is manufactured utilising the following materials:

- Internal chamber and outer casing in stainless steel, aluminized steel and pre-painted steel
- Refractory stone cooking floor.

CHAP. 6 - ROUTINE CLEANING

6.1 - FOREWORD

- The Oven must be cleaned at least once a day. If necessary clean when required during the day.
- All the oven parts that come into contact directly or indirectly with the food product must be cleaned thoroughly.
- The oven must never be cleaned with pressurised water, water jets (to avoid any water penetration inside the Oven); do not use brushes or other tools or anything that could damage the external surface of the oven.

Before starting cleaning operations, it is necessary to:

1. Shift the switch to its initial position at 0° (Fig. 6 - Ref. 2 - 3).
2. disconnect the Oven plug from the mains to isolate it from the mains power supply.

6.2 - HOW TO CLEAN THE OVEN

N.B. Only clean the appliance after it has cooled down completely. To prevent burns we recommend the use of burn-proof gloves when cleaning.

To clean proceed as follows:

1. Using the door handle open the oven door.
2. Brush the refractory stone floor clean.
3. **WARNING! DO NOT** pour cold water or any other substance onto the refractory cooking stone to clean. **ONLY USE** a purpose oven brush to remove any waste food product.
4. Use a damp cloth and neutral detergent to clean the glass and the door.
5. Once having cleaned the internal cooking chamber and the outer casing make sure all Oven parts are thoroughly dry.

CHAP. 7 - MAINTENANCE

7.1 - FOREWORD

Before performing any maintenance operation, it is necessary to:

1. Shift the switch to its initial position at 0° (Fig. 6 - Ref. 2 - 3).
2. Disconnect the plug from the mains to isolate it from the mains power supply.

7.2 - POWER SUPPLY CABLE

Periodically check for wear in the power supply cable. If the power supply cable shows signs of wear or damage call the "SERVICE CENTRE" for a replacement.

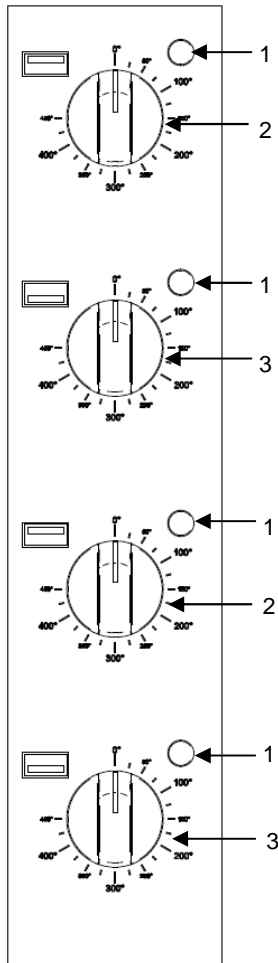
7.3 - TROUBLESHOOTING

In the event of faults or malfunctions contact your "LOCAL SERVICE ASSISTANCE CENTRE".

CHAP. 5 - USE OF THE OVEN

5.1 - CONTROLS

The controls are positioned on the front right of the Oven as illustrated in the below figure.



1. Indicator light heating element on
2. Thermostat for adjusting the temperature of the upper heating element
3. Thermostat for adjusting the temperature of the lower heating element

The two chambers can be accessed both simultaneously and separately.

5.2 - LOADING AND COOKING THE PRODUCT (refer to Fig.n°6)

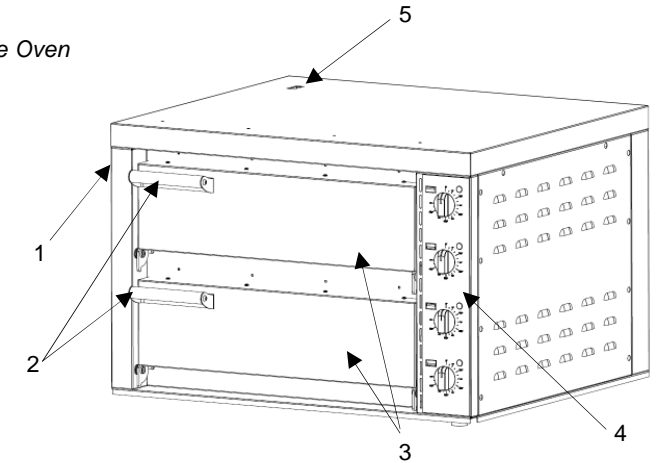
To cook proceed as follows:

1. Start the oven by turning the thermostat to the desired temperature (Ref. 2 - 3).
2. Once the oven has reached the required cooking temperature place the food product to cook inside the oven. Always use the door handle to open the oven door.
3. Once the work cycle has terminated, turn the knob back to its initial position (Ref. 2 - 3).
4. **WARNING!** While baking, the external surface of the oven reaches very high temperatures. Avoid getting too close.
5. **WARNING!** Wait until the Oven has cooled down completely before coming into direct contact with it, always use the door handle to open the door.
6. While baking, it is possible to remove the baking residuals from the worktop by using a fireproof brush.

FIG. n°6

1.2.3 - Oven parts

FIG. n°1 - Main view of the Oven

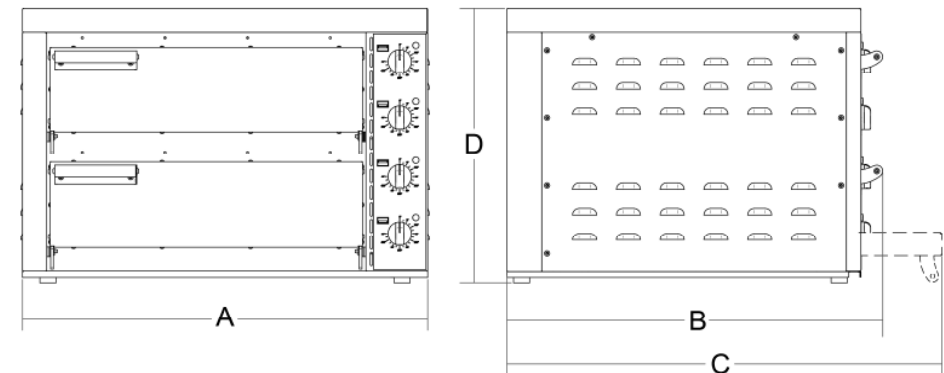


LEGENDA:

1. Outer casing
2. Door handle
3. Door
4. Controls
5. Flue for expelling cooking fumes

CHAP. 2 - TECHNICAL SPECIFICATION

2.1 - OVERALL DIMENSIONS, WEIGHT, FEATURES...



TAB. n°1 - OVERALL DIMENSIONS AND TECHNICAL SPECIFICATIONS

Model		VCN 2C
Power	watt	6.400
Power supply		208V / 220V 60 Hz 1Ph or 3Ph
Temperature	°C	95÷450
Inside dimensions	mm	500x520 h.115 (x2)
A x B x D	mm	780x720x600
C	mm	810
Net weight	kg	70

WARNING: Oven electrical specifications are indicated on the rating plate affixed to the side of the oven; before connecting to power supply, please read chap. 4.2.

CHAP. 3 - RECEIVING THE OVEN

3.1 - DESPATCH OF THE OVEN (see FIG. n°3)

The oven is accurately packed and then despatched from our warehouses.

The package includes:

- a solid cardboard box on a pallet;
- the Oven;
- this manual.

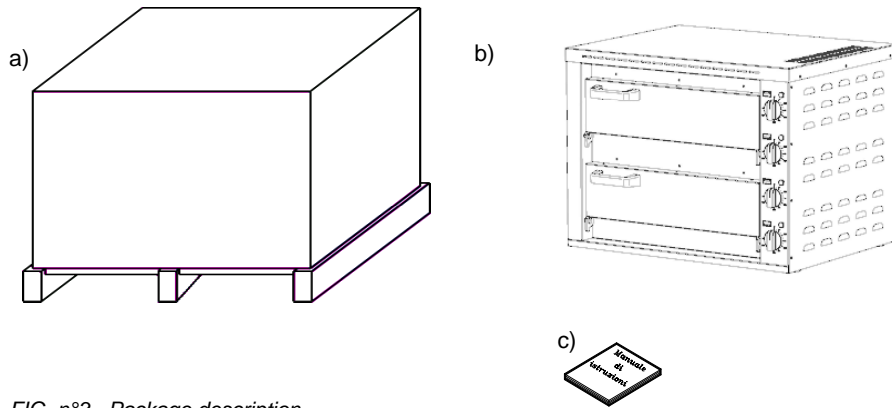


FIG. n°3 - Package description

3.2 - PACKAGE CHECK UPON RECEIPT

Upon receipt of the appliance if the external packaging shows no signs of damage, open and check that there are no missing parts. If upon receipt of the appliance the packaging shows signs of damage or seems to have been dropped or hit, inform the carrier of the damage and within three days of the date of delivery provided in the transport document, send a report detailing the damage to the appliance.

3.3 - PACKAGING DISPOSAL

The components of the packaging (cardboard, pallet, plastic straps and polyurethane foam) are urban solid waste; therefore they can be easily disposed of.

If the Oven has to be installed in countries where specific regulations are in force, packaging must be disposed of in compliance with such regulations.

CHAP. 4 - INSTALLATION

4.1 - OVEN LOCATION

Once having removed the Oven from its packaging, remove the protective adhesive film affixed to the outer casing of the oven. This film must always be removed before using the oven (check that no plastic film is left on the appliance and do not use abrasive substances to remove the plastic film). Check that the counter top where the appliance is to be positioned is large enough (refer to technical specifications), level, robust, dry, stable and resistant to high temperatures.

Place the oven at least 10 cm away from the walls, which must be able to withstand high temperatures, and in an adequate room that is equipped to expel the heat generated by the oven.

4.2 - ELECTRICAL CONNECTION

4.2.1 - Electrical connection of the oven

The appliance is supplied without either power cable or plug; they must both be fitted by qualified personnel. The cable must be only of the type stated and the plug fitted to it must be suitable for the consumption and connection of the oven to the electrical mains.

The appliance must be connected to a power supply with a min. 10AWG type cable (supplied by the installer). To carry out this operation, remove the right side oven panel (FIG. n°4), connect the cable to the terminal board and secure it with the relative cable gland located on the back of the appliance itself (FIG. n°5).

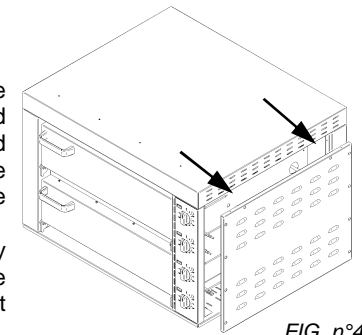


FIG. n°4

Connect the oven to 208/220 Volt 60 Hz 1 or 3 phase, by interposing a differential thermomagnetic switch 35A, $\Delta I = 0.03A$.

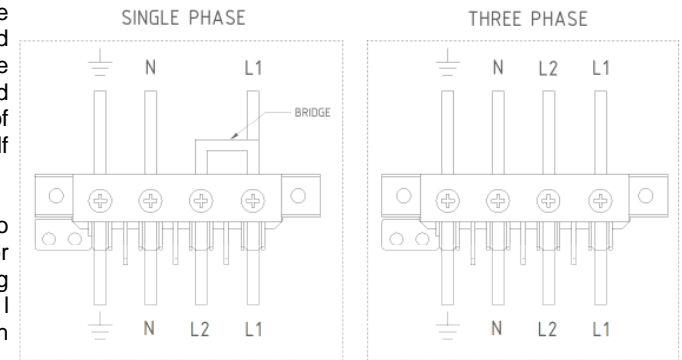


FIG. n°5

4.3 - OPERATIONAL CHECK

Before testing the appliance makes sure the plug is securely plugged into the power socket, and proceed with testing the appliance following each step of the below procedure:

1. Start the oven by turning the thermostat knob to switch on the heating elements.
2. With the oven on, set the temperatures to 200°C.
3. Once the set temperature is reached, operate the oven empty under the supervision of an operator for at least 2 hours, opening the front doors from time to time. Besides ascertaining whether the oven works properly, this operation causes any processing residues and humidity to evaporate from the cooking stones.
4. Switch off the oven's heating elements by turning the knob back to its initial position.