



## SERVING-TEMPERATURE MAINTAINER

INSTALLATION MANUAL

Original instructions

EVEREO 600 | XAEC-1011-EPR

EVEREO CUBE | XAEC-10HS-EP\*

EVEREO 900 | XAEC-1013-EPR

**Read and understand this manual completely before attempting to install, operate, or service this equipment. This manual is intended for use only by qualified installers of electric appliances.**

**RETAIN THIS MANUAL FOR FUTURE REFERENCE**

**⚠ WARNING**

## IMPORTANT FOR YOUR SAFETY

This manual is intended for use only by qualified installers of electric appliances to install and set up the Unox oven models listed on the cover of this document. It also contains operational instructions for the users of the appliance.

Keep this manual in an easily accessible place for future reference. In the event of a power failure, do not attempt to operate this appliance.

Keep the appliance area free and clear from combustibles.

Do not obstruct the air intake or exhaust openings of the appliance.

Keep in a prominent location instructions to be followed in the event the user smells gas. This information shall be obtained by consulting the local gas supplier.

### SAFETY PRECAUTIONS:

Do not store or use gasoline or other flammable vapors or liquids in the vicinity of this or any other appliance.

**⚠ WARNING**

Improper installation, adjustment, alteration, service or maintenance can cause property damage, injury, or death.

Read the installation, operating, and maintenance instructions thoroughly before installing or servicing this equipment.



### WARNING

RISK OF FIRE OR ELECTRICAL SHOCK  
DO NOT OPEN



WARNING TO REDUCE RISK OF FIRE OR ELECTRICAL SHOCK

DO NOT REMOVE COVER OR BACK

NO USER - SERVICEABLE PARTS INSIDE

REPAIR SHOULD BE DONE BY AUTHORIZED  
SERVICE PERSONNEL ONLY



## SAFETY REGULATIONS

PICTOGRAMS.....	4
GENERAL SAFETY .....	5

## INTRODUCTION & PREINSTALLATION

FORWARD.....	10
SUPPLIED DOCUMENTS.....	10
REGISTRATION.....	11
INSTALLATION CODES AND STANDARDS.....	12
DELIVERY AND INSPECTION .....	12
HANDLING .....	13
SPECIFICATIONS.....	14
UNPACKING OF THE APPLIANCE.....	14

## INSTALLATION

CHECKING PACKAGE CONTENTS.....	16
GETTING STARTED .....	16
POSITIONING.....	17
ELECTRICAL CONNECTION .....	20

# Safety regulations

## PICTOGRAMS



Read the instruction manual



Danger! Situation presenting immediate danger, or a hazardous situation which could cause injury or death.



Risk of fire!



Risk of electric shock!



Risk of burns!



Tips and useful information



Consult other chapter



Earthing symbol



Equipotential symbol

**⚠ WARNING** Read this and other applicable manuals carefully before using this appliance. Incorrect installation, operation, maintenance, cleaning, or any modifications made to the appliance, may damage property or result in fatal injury.



## GENERAL SAFETY

**⚠ WARNING** This appliance must only be used by qualified personnel to cook food in professional and industrial kitchens. Any other application that does not conform to the specified use is considered dangerous.

**⚠ WARNING** The equipment must not be used by inexperienced or untrained persons. Always provide training and guidance on the proper use and shut down of the oven. Make sure all personnel are supervised by someone who is responsible for their safety.

**⚠ WARNING** UNOX accepts no responsibility for any situation resulting from work carried out in an unprofessional manner, or from the incorrect interpretation or application of regulations.

## GENERAL INSTALLATION

**⚠ WARNING** Incorrect installation or any modifications made to the appliance may damage property or result in injury or even death.

**⚠ WARNING** Fire risk! If the appliance is positioned near walls, partitions, kitchen cabinets, decorative trim, etc. (see Initial preparation on page 17), these items must be made by a non flammable material. All fire prevention regulations must be strictly observed.

## ELECTRICAL

**⚠ WARNING** Electrical connections or any work required on the electrical circuits inside the appliance, must be performed by certified technicians in compliance with local, state, and federal regulations.

**⚠ WARNING Injury risk!** A ground fault interruption circuit (GFI) must be installed.

**⚠ WARNING Fire risk!** Make sure all electrical connections are properly done.

## OPERATION

**⚠ WARNING Fire risk!** Do not place foods containing highly flammable ingredients (alcohol-based foods) in the oven. These substances may burst into flames and, therefore, constitute a fire and explosion hazard. Explosions

may cause the door to open suddenly or even violently.

**⚠️ WARNING Fire risk!** When using the appliance for the first time, make sure there are no instruction manuals, plastic bags, or accessories inside the oven.

**⚠️ WARNING Food contamination risk!** Before cooking with the appliance, make sure there are no detergent or other caustic residues inside the oven. Remove any detergent residues using a damp cloth while wearing suitable eye and hand protection, then rinse the oven thoroughly.

**⚠️ WARNING Burn risk!** Always wear heatresistant gloves when handling accessories or other objects which have been inside the hot oven.

**⚠️ WARNING Burn risk!** Make sure any hanging rack frames and/or tray rack trolleys inside the oven are secured. Improperly placed containers holding hot liquids may fall or slip inside the oven causing the potential for burns.

**⚠️ WARNING Burn risk!** The temperature of the external parts of the oven may exceed 140 °F (60 °C). Touch only the components used to control the appliance.

**⚠️ WARNING Burn risk!** When containers are full of liquid or will be filled with liquid during the cooking process, the user must be able to see inside each container. Do not place any racks above eye level.

**⚠️ WARNING Burn risk!** Take extra care to avoid drips or spills when removing trays containing hot liquids.

**⚠️ WARNING Burn risk!** The maintenance operations of the unit must be carried out by qualified and trained personnel only when the appliance is empty and disconnected from power supply and water connections.

**⚠️ WARNING** This appliance can be used by children aged from 8 years and above and persons with reduced physical, sensory or mental capabilities or lack of experience and knowledge if they have been given supervision or instruction concerning use of the appliance in a safe way and understand the hazard involved. Children shall not play with the appliance. Cleaning and user maintenance shall not be made by children without supervision.

**⚠️ WARNING Burn risk!** Always open the door slowly and carefully to prevent being burned by hot steam escaping from the EVEREO.

**⚠️ WARNING Burn risk!** Do not leave the core probe hanging outside the oven door, as this could damage the probe and cause hot steam or liquid to escape from the EVEREO during the cooking process. Always remove the core probe from the food before removing it from the EVEREO.



## INSPECTION AND MAINTENANCE

**⚠️ WARNING Electrocutation and burn risk!** To reduce the risk of fire and/or electric shock do not remove the service panels. There are no user serviceable items under the service panels. Only qualified service agents are permitted to remove the service panels.

## CLEANING

**⚠️ WARNING Fire risk!** If the appliance is not cleaned or not cleaned thoroughly, grease or remnants of food which have accumulated inside the oven may start to burn.

## REPAIR WORK SAFETY

**⚠️ WARNING Injury risk!** Appliance maintenance must only be performed by suitably trained personnel.

**⚠️ WARNING Injury risk!** Before any maintenance work is performed, the appliance must be disconnected from the electrical supply. Apply a lock out tag to the electrical supply connection.

**⚠️ WARNING Injury risk!** All parts not supplied by UNOX must be pre-approved before installation.

The company reserves the right to apply improvement modifications to appliances and accessories at any time without advance notice.

# Introduction & pre-installation

Congratulations and thank you for choosing to purchase a Serving-temperature maintainer EVEREO. The equipment is designed for the following purposes:

- for cooking all pastry and bread products, whether fresh or frozen;
- for cooking all gastronomic products, whether fresh or frozen;
- for bringing chilled and frozen food back to normal temperatures;
- for steam cooking meat, fish, and vegetables;
- for cooking vacuum-packed food in bags which are suited to that type of cooking procedure.

These ovens are also designed for use with complementary accessories such as a holding cabinet, special trays, and racks.

UNOX S.p.A.

## FORWARD

This booklet shows the installation and use of EVEREO line of appliances. The EVEREO line of ovens, together with their accessories, allow to complete cooking solutions using the **MAXI.Link** technology dedicated to superb cuisine.



We recommend you thoroughly read this manual

for all instructions on how to maintain the aesthetic and functional qualities of your purchased product intact.

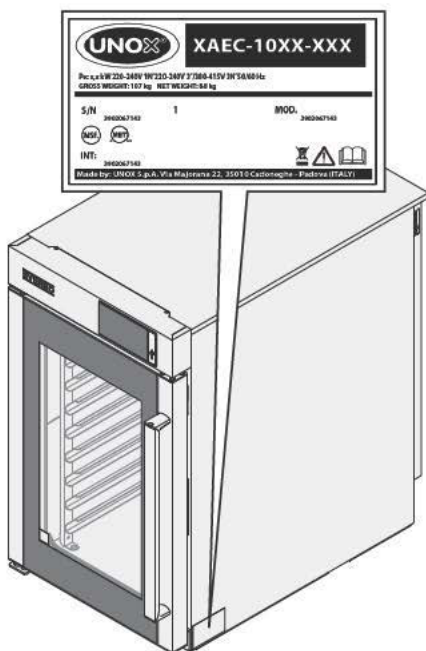
## SUPPLIED DOCUMENTS

The following documents are provided with the unit:

- Installation and Operation Manual
- Overall Dimension Drawing
- Wiring Diagram
- Connection Diagram

## REGISTRATION

The installation date and appliance model must be documented by the end purchaser. The model number and serial number are located on the serial plate similar to the one shown. Refer to UNOX Limited Warranty Conditions - US section for additional details on registering the appliance.



Installer:  
(The authorized service agent who installed the UNOX appliance)

Dealer:  
(The company where the UNOX appliance was purchased)

Installation date:

## INSTALLATION CODES AND STANDARDS

Installations within the United States, must follow:

- 1.State and local codes.
- 2.National Electrical Code (ANSI/NFPA No.70, latest edition) available from the National Fire Protection Association, Batterymarch Park, Quincy, MA 02269.
- 3.Vapor Removal from Cooking Equipment, (NFPA-96, latest edition) available from NFPA.

Installations within Canada, must follow:

- 1. Local codes.
- 2.Canadian Electrical Code (CSA C22.2 No.3, latest edition) available from the Canadian Standards Association, 5060 Spectrum Way, Mississauga, Ontario, Canada L4W 5N6.

## DELIVERY AND INSPECTION

UNOX strives to ensure the appliance is received in good working condition. To prevent shipping damage, the appliance is shipped from the factory and must only be transported using pallets supplied by UNOX. Each

unit has been carefully inspected before it was packaged and consigned to a shipper/installer. Upon delivery:

Inspect the shipping container, carefully noting any exterior damage on the delivery receipt, which must also be signed by the driver or delivery person.

- Unpack and check for any damage, which was not evident on the outside of the shipping container.
- Check for concealed damage. The carrier must be notified immediately of damage not readily visible upon the delivery of the unit. The crate and all packaging materials must be retained for inspection.

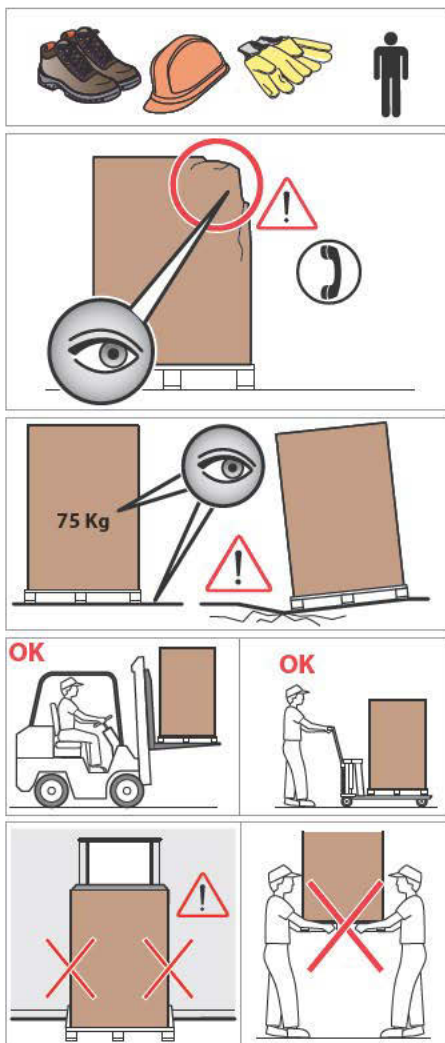
UNOX does not assume liability for loss or damage of the appliance during shipping and/or delivery. The carrier assumes full responsibility for delivery in good condition when the shipment was accepted. If the product was lost or damaged in shipment UNOX will provide assistance in filing a claim with the carrier.

## HANDLING

The appliance is very heavy and may require the use of moving equipment.

1 person necessary for installation.

**⚠ WARNING** Injury risk! Do not lift or move the appliance without adequate help. Heavy lifting, over 51 pounds (23 kg), may result in personal injury. Make sure the appliance is not in danger of tipping over during transportation.



02

Cooking trays		10 GN 1/1	10 460x330	10 GN 1/1
Model		EVEREO 600 XAEC-1011-EPR	EVEREO CUBE XAEC-10HS-EP*	EVEREO 900 XAEC-1013-EPR
Size	Width	29" 9/16 (750 mm)	23" 5/8 (600 mm)	21" 1/16 (535 mm)
	Depth	26" 11/16 (678 mm)	24" 1/16 (610 mm)	34" 13/16 (883 mm)
	Height	36" 1/16 (915 mm)	23" 1/4 (590 mm)	36" 1/16 (915 mm)
Net weight		180,7 lbs (82 Kg)	104,7 lbs (47,5 Kg)	154,3 lbs (70 Kg)
Pan spacing		2,63" (67 mm)	1.10" (28 mm)	2.63" (67 mm)

## SPECIFICATIONS

Before positioning the appliance, check the measurements and the exact position of the electrical, plumbing, and exhaust connections. Check for proper clearance with shut off valves and drain line hook ups.

The installation site must be able to withstand the maximum weight of the fully loaded appliance. Make sure the unit fits through all doors, corridors, passageways, or other openings required to reach the installation site.

## UNPACKING OF THE APPLIANCE

**03** ► Check the package for any visible damage. If damage is found, contact UNOX immediately and DO NOT install the appliance.

Before transporting the appliance to its installation point, make sure that:

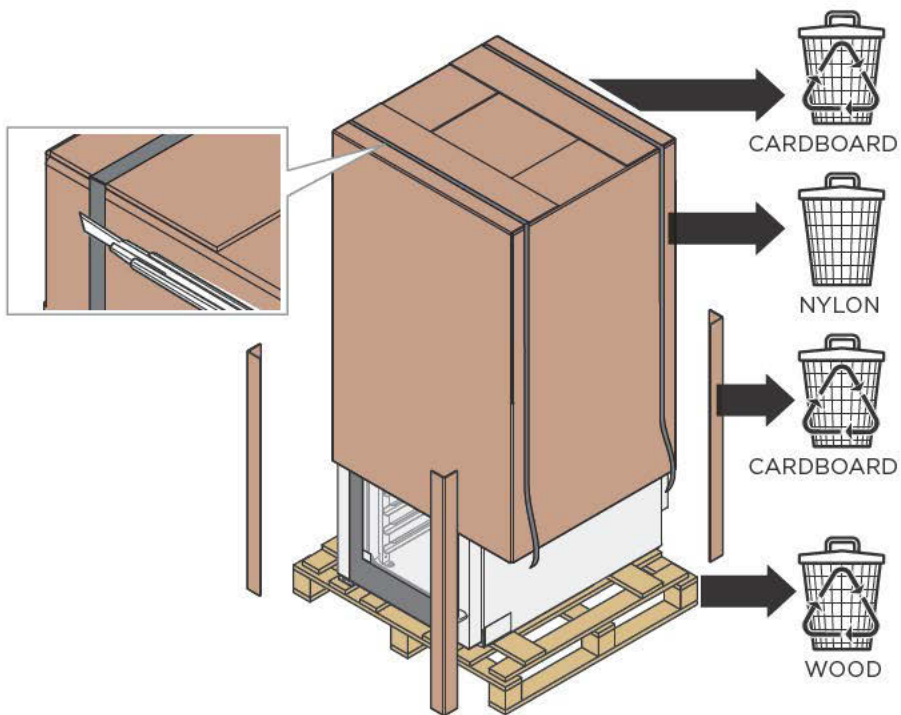
- it easily passes through doorways;
- the floor supports its weight.

Transport must be exclusively performed by mechanical means (e.g. using pallet jacks).

**⚠ WARNING** The packaging material is potentially dangerous. It must be kept out of the reach of children and animals, and correctly disposed of in compliance with local regulations.

**NON-STOP Efforts**  UNOX has followed the **NON-STOP**

**Efforts** philosophy for years, to increase the environmental compatibility of its products and reduce energy consumption and waste. UNOX wishes to protect the environment and invites the consumer to dispose of waste in the relevant recycling bins.



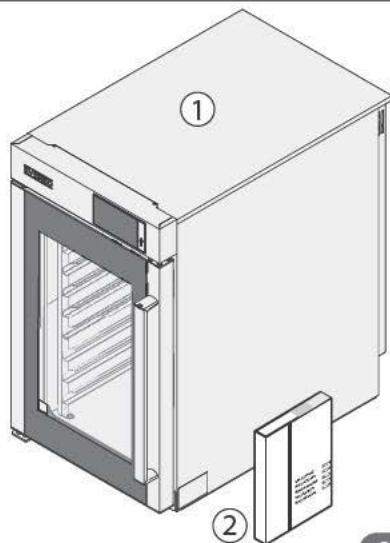
# Installation

## CHECKING PACKAGE CONTENTS

Before installing the appliance, check that the following components are included in the package and are undamaged. If a component is missing or damaged, please contact the manufacturer.

### 04 ▶ Contents:

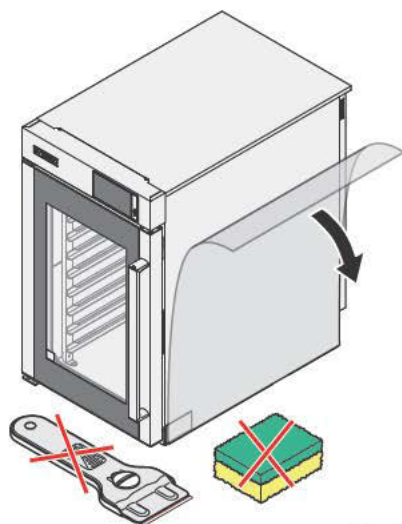
- ① serving-temperature main-tainer;
- ② technical documents (use and installation manual, "Technical specifications" sheet). Alternatively, electronic documentation is provided.



## GETTING STARTED

### 05 ▶ removing the film

Slowly remove the protective films from the appliance. Clean any glue residue with appropriate solvents without using tools, abrasive detergents or acids that could spoil the surfaces.





**⚠ WARNING** The protective films are potentially dangerous and must be kept out of the reach of children and animals, and correctly disposed of in compliance with local regulations.

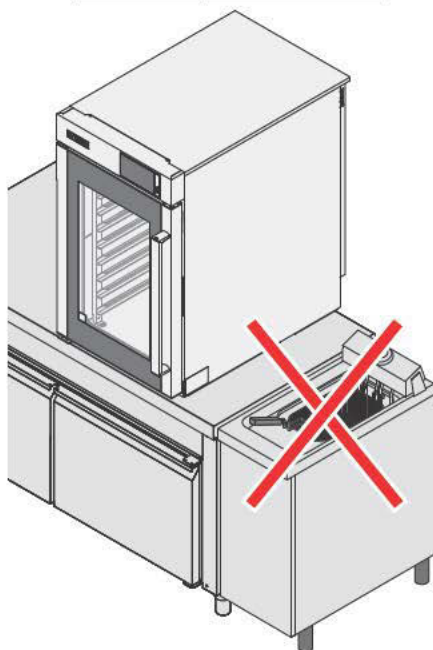
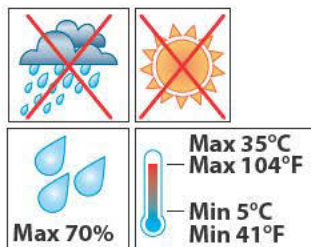
## POSITIONING

### 06 ► the installation area

Install the appliance in areas:

- that are compliant for cooking food;
- that are adequately ventilated;
- that comply with the laws in your country regarding system safety/ safety in the workplace;
- protected from the weather;
- with temperatures from +5°C (41°F) to +35°C (104°F) maximum;
- that have maximum humidity of 70%.

**⚠ WARNING** Do not install the appliance near other appliances that reach high temperatures, to avoid damaging electrical parts. The appliance is not suitable for recessed installation. Make sure that the floor supports the weight of the appliance at full capacity.



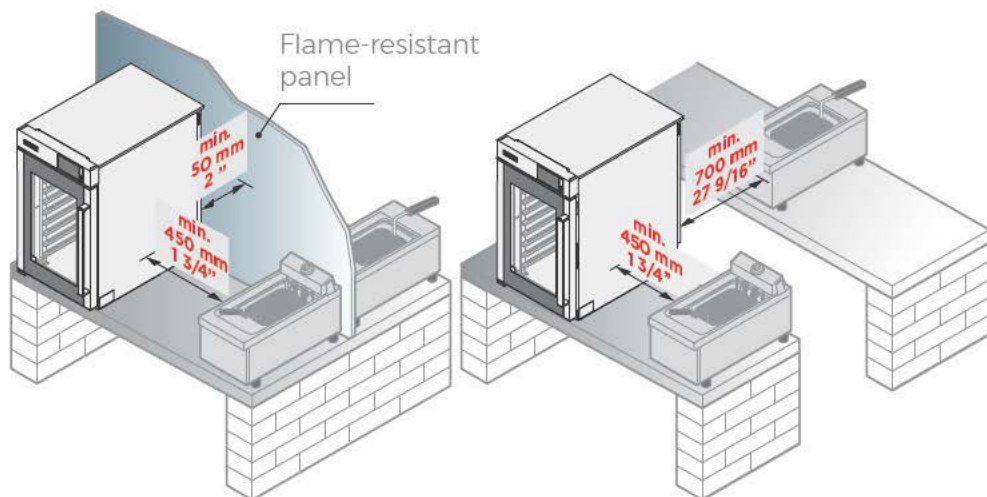
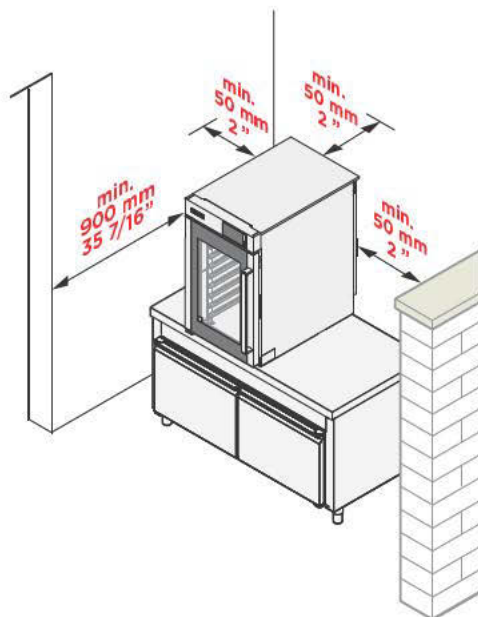
06

## 07 ► installation clearance

Position the appliance respecting the clearance indicated in the diagram and so that the back of the appliance is easily accessible for making the necessary connections and for maintenance work.

**⚠ WARNING** Do not install the appliance near flammable or heat-sensitive materials, walls or furniture.

If this is necessary, protect them with appropriate non-flammable materials in compliance with fire-prevention regulations.

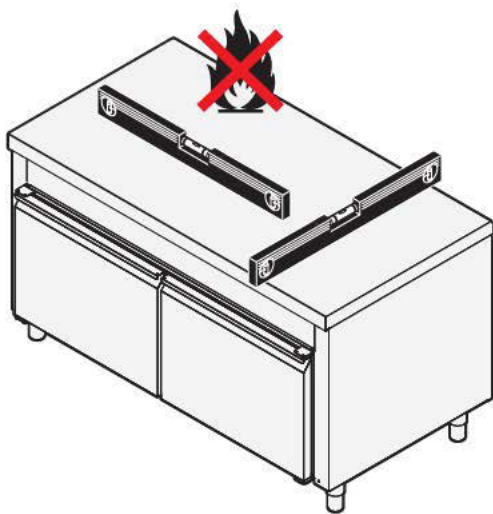


## 08 ► positioning

The appliance should only be placed on a table/cabinet with the following characteristics:

- stable and perfectly level;
- unmoveable;
- non-flammable and heat resistant;
- able to support the appliance weight at full load without deforming or experiencing structural failure.

**⚠ WARNING** The appliance cannot be placed directly on the floor or above other appliances (e.g. ovens, prowers, etc.).



08

## ELECTRICAL CONNECTION

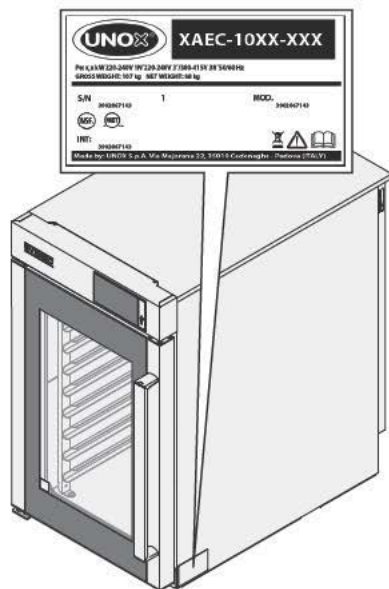
**⚠ WARNING** Injury risk! Read and follow **ALL** safety instructions on page 3 and Installation codes and standards on page 12.

**⚠ DANGER** Wire Color Coding: Electric shock risk! observe the color coding of the wires. incorrect connection can lead to personal injury or even electrocution.



**Incorrect connection of the electrical wires may damage the appliance.**

Before connecting the oven to the electrical supply, compare the power supply data, specified on the rating plate, with the appliance requirements specified on its rating plate. The appliance when installed must be electrically grounded in accordance with local codes, or in the absence of local codes, with the National Electrical Code, ANSI/NFPA 70, or the Canadian Electrical Code, CSA C22.2, as applicable. Use a digital multimeter when performing the following checks.



09

○ grey or white = neutral wire

● black, red, blue = phase L1, L2, L3

- ① If the voltage and power supply phases are different, adjust and correct the phase wiring, in accordance with the data provided with the appliance.
- ② Make sure there is no electrical discharge between the phases and the ground connection.
- ③ Make sure there is electrical continuity between the outer casing and the ground wire.
- ④ Determine the correct wire size and circuit breaker using the reference chart.

The wiring diagrams, the wire specifications and the technical data are indicated on the “Technical specifications ” sheet attached to the appliance.

## APPLIANCES WITH NEMA 6-20 P

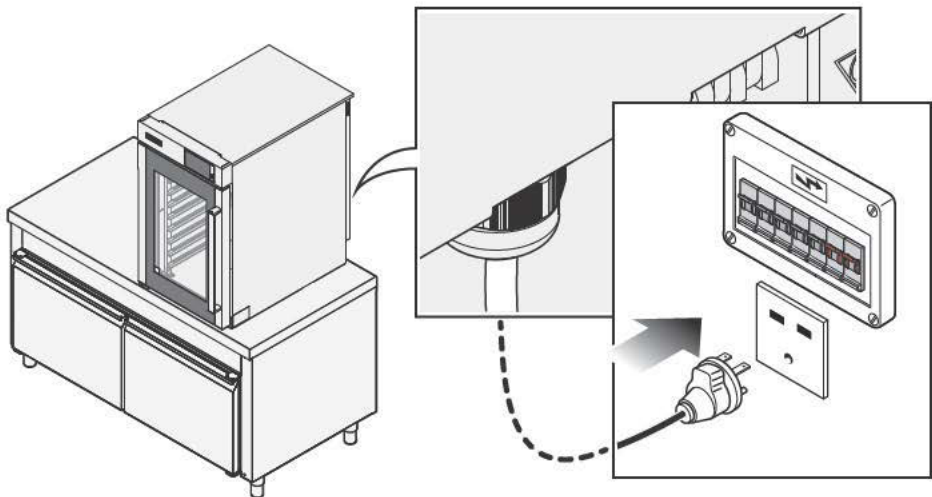
The appliance is released from the factory with power cable and plug already connected to the terminal. Do not make any other type of electrical connection or dimensional modification to the cable other than extensions, replacing it only with one having specifications equal to the original factory cable (type of rubber, cross-section, etc.).

❗ Make sure the outlet is the correct phase and voltage for the appliance being installed. If necessary, have a certified electrician update the electric service to match the appliance requirements.

❗ The cable must be replaced by UNOX or by its technical assistance service, or in all cases by a person with a similar role in order to prevent any risks.

⊕ The wiring diagrams, wire specifications and the technical data are indicated on the “Technical specifications” sheet attached to the appliance.

**⚠ WARNING** Electrical Grounding Instructions: appliance is equipped with a three-prong (grounding) plug for your protection against shock hazard and should be plugged directly into a properly grounded three-prong receptacle. Do not cut or remove the grounding prong from this plug.





US - U.S.A. & CANADA  
UNOX Inc.  
E-mail: info.usa@unox.com  
Tel: +1 800 489 8669



INVENTIVE SIMPLIFICATION

## EUROPE

### IT - ITALIA UNOX S.p.a

E-mail: info@unox.it  
Tel: +39 049 8657511

### GB - UNITED KINGDOM UNOX UK Ltd.

E-mail: info@unoxuk.com  
Tel: +44 1252 851 522

### CZ - ČESKÁ REPUBLIKA UNOX DISTRIBUTION s.r.o.

E-mail: info.cz@unox.com  
Tel: +420 241 940 000

### BG - БЪЛГАРИЯ UNOX BULGARIA

E-mail: info.bg@unox.com  
Tel: +359 2 419 05 00

### NL - NETHERLANDS UNOX NETHERLANDS B.V.

E-mail: info.nl@unox.com  
Tel: +31 6 27 21 14 10

### DE - DEUTSCHLAND UNOX DEUTSCHLAND GMBH

E-mail: info.de@unox.com  
Tel: +49 2951 98760

### IE - IRELAND UNOX IRELAND

E-mail: info.ie@unox.com  
Tel: +353 (0) 87 32 23 218

### HR - HRVATSKA UNOX CROATIA

E-mail: narudzbe@unox.com  
Tel: +39 049 86 57 538

### AT - ÖSTERREICH UNOX ÖSTERREICH GMBH

E-mail: info.de@unox.com  
Tel: +43 800 880 963

### PL - POLSKA Unox Polska Sp. z o.o.

E-mail: info.pl@unox.com  
Tel: +48 665 232 000

### FR - FRANCE, BELGIUM & LUXEMBOURG UNOX FRANCE s.a.s.

E-mail: info.fr@unox.com  
Tel: +33 4 78 17 35 39

### ES - ESPAÑA UNOX PROFESIONAL ESPAÑA S.L.

E-mail: info.es@unox.com  
Tel: +34 900 82 89 43

### TR - TÜRKİYE - UNOX TURKEY Profesyonel mutlak ekipmanları endüstri ve ticaret limited şirketi

E-mail: info.tr@unox.com  
Tel: +90 530 176 62 03

### RU - РОССИЯ, ПРИБАЛТИКА И СТРАНЫ СНГ UNOX РОССИЯ

E-mail: info.ru@unox.com  
Tel: +7 (499) 702 - 00 - 14

### SC - SCANDINAVIAN COUNTRIES UNOX SCANDINAVIA AB

E-mail: info.se@unox.com  
Tel: +46(0)790 75 63 64

### PT - PORTUGAL UNOX PORTUGAL

E-mail: info.pt@unox.com  
Tel: +351 918 228 787

## AMERICA

### US - U.S.A. & CANADA UNOX Inc.

E-mail: info.usa@unox.com  
Tel: +1 800 489 8669

### AR - ARGENTINA UNOX ARGENTINA

E-mail: info.ar@unox.com  
Tel: +54 911 37 58 43 46

### CO - COLOMBIA UNOX COLOMBIA

E-mail: info.co@unox.com  
Tel: +57 350 65 88 204

### BR - UNOX BRASIL SERVICOS LTDA.

E-mail: info.br@unox.com  
Tel: +55 11 98717-8201

### MX - MEXICO UNOX MEXICO, S. DE R.L. DE C.V.

E-mail: info.mx@unox.com  
Tel: +52 55 8116-7720

## ASIA, OCEANIA & AFRICA

### ZA - SOUTH AFRICA UNOX SOUTH AFRICA

E-mail: info.za@unox.com  
Tel: +27 845 05 52 35

### PH - PHILIPPINES UNOX PHILIPPINES

E-mail: info.asia@unox.com  
Tel: +63 9173108084

### AU - AUSTRALIA UNOX AUSTRALIA PTY Ltd.

E-mail: info@unoxaustralia.com.au  
Tel: +61 3 9876 0803

### UZ - UZBEKISTAN UNOX PRO LLC

E-mail: info.uz@unox.com  
Tel: +998 90 370 90 10

### KR - 대한민국 UNOX KOREA CO. Ltd.

이메일: info.asia@unox.com  
전화: +82 2 69410351

### AC - OTHER ASIAN COUNTRIES UNOX (ASIA) SDN. BHD

E-mail: info.asia@unox.com  
Tel: +603-58797700

### TW - TAIWAN, HONG KONG & MACAU UNOX TAIWAN

E-mail: info.tw@unox.com  
Tel: +886 928 250 536

### MY - MALAYSIA & SINGAPORE UNOX (ASIA) SDN. BHD

E-mail: info.asia@unox.com  
Tel: +603-58797700

### CN - 中华人民共和国 UNOX TRADING (SHANGAI) Ltd. CO.

电子邮件: info.asia@unox.com  
电话: +603-58797700

### NZ - NEW ZEALAND UNOX NEW ZEALAND Ltd.

E-mail: info@unox.co.nz  
Tel: +64 (0) 800 76 0803

### AE - U.A.E. UNOX MIDDLE EAST DMCC

E-mail: info.uae@unox.com  
Tel: +971 4 554 2146

### ID - INDONESIA UNOX INDONESIA

E-mail: info.asia@unox.com  
Tel: +62 81908852999

unox.com



L11942A0

All images used are for illustrative purposes only.  
All features indicated in this catalogue may be subject to change and could be updated without notice.