



IMPORTANT FOR FUTURE REFERENCE

Please complete this information and retain this manual for the life of the equipment:

Model #: _____

Serial #: _____

Date Purchased: _____

ENGLISH

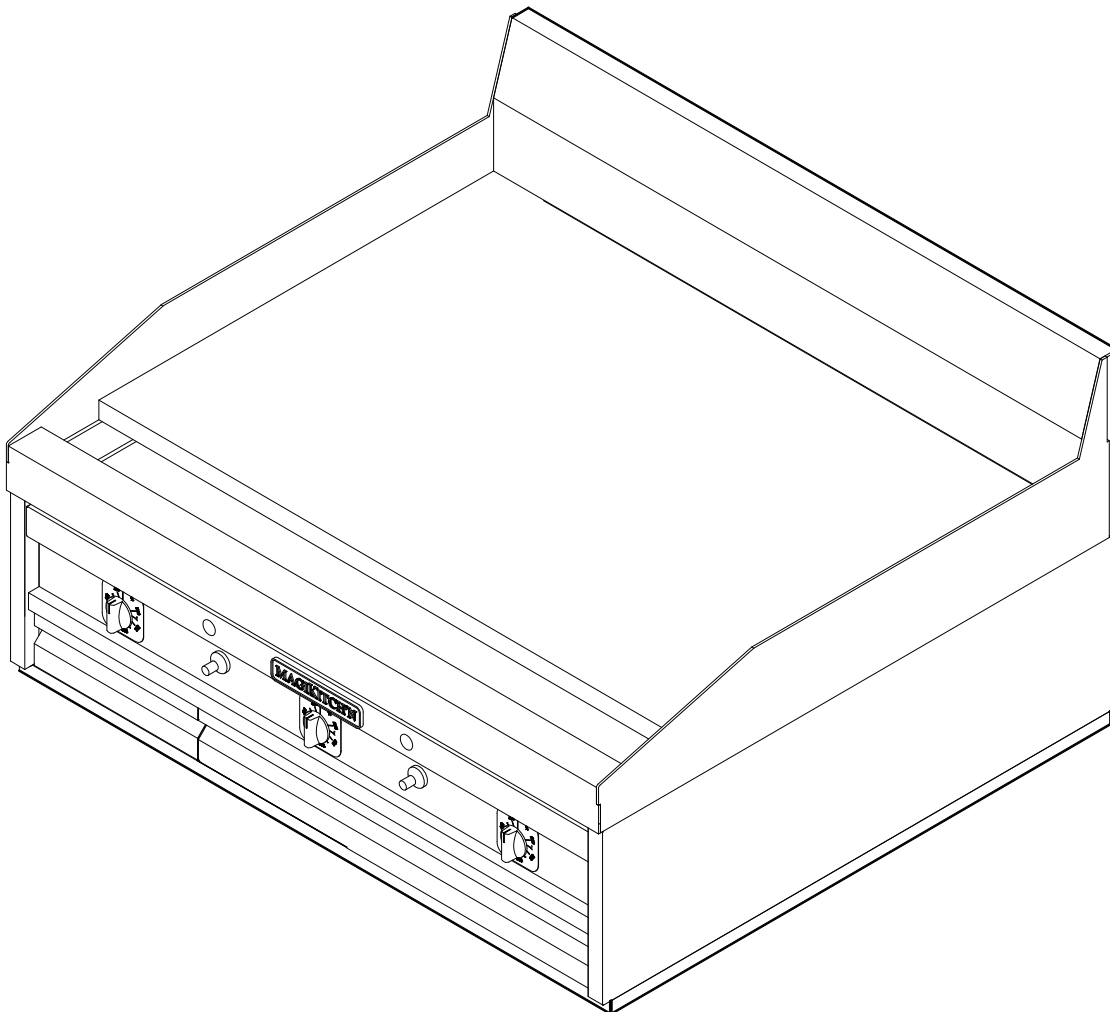
Parts Manual

MKG24, MKG36, MKG48, MKG60, MKG72

Gas Griddle Models with All Options

Built between 08/1/2005 and 2/1/2010

120 Volt Control



Post in a prominent location the instructions to be followed in the event that an operator smells gas. Obtain this information from your local gas supplier.

WARNING

DO NOT store or use gasoline or other flammable vapors and liquids in the vicinity of this or any other appliance.

WARNING

Improper installation, alteration, service or maintenance can cause property damage, injury or death. Read the installation, operating and maintenance instructions thoroughly before installing or servicing this appliance.

WARNING

Installation, maintenance and repairs should be performed by a MagiKitch'n Authorized Service and Parts (ASAP) company technician or other qualified personnel. Installation, maintenance or repairs by an unauthorized and unqualified personnel will void the warranty.

WARNING

Installation and all connections must be made according to national and local regulations and codes in force.

WARNING

During the warranty period if a customer elects to use a non-original part or modifies an original part purchased from MagiKitch'n and/or its Authorized Service and Parts (ASAP) companies, this warranty will be void. In addition, MagiKitch'n and its affiliates will not be liable for any claims, damages or expenses incurred by the customer which arises directly or indirectly, in whole or in part, due to the installation of any modified part and/or received from an unauthorized service center.

WARNING

This appliance, when installed, must be electrically grounded in accordance with local codes, or in the absence of local codes, with the National Electrical Code, ANSI/NFPA 70, or the Canadian Electrical Code, CSA C22.2, as applicable.

WARNING

Adequate means must be provided to LIMIT the movement of this appliance without depending on the gas or electrical cord connection. Single appliances equipped with legs must be stabilized by installing anchor straps. All appliances equipped with casters must be stabilized by installing restraining chains.

WARNING

An appliance equipped with casters and a flexible gas line must be connected to the gas supply with a quick disconnect device. This quick disconnect must comply with ANSI Z24.41.

WARNING

DO NOT alter or remove structural material on the appliance to accommodate placement under a ventilation hood.

WARNING

This appliance is intended for professional use only and should be operated by fully trained and qualified personnel.

WARNING

If the appliance is equipped with a power cord and it is damaged, it must be replaced by a MagiKitch'n Authorized Service and Parts (ASAP) company technician, or a similarly qualified person in order to avoid a hazard.

WARNING

The power supply must be disconnected before servicing, maintaining or cleaning this appliance.

WARNING

The appliance is NOT jet stream approved. DO NOT clean the appliance with a water jet.

WARNING

DO NOT attempt to move this appliance or transfer hot liquids from grease box to another container when the unit is at operating temperature or filled with hot liquids. Serious personal injury could result if skin comes in contact with the hot surfaces or liquids.

WARNING

DO NOT sit or stand on this appliance. The appliance's front panel, cook plate, splash back, sides, workshelf is not a step. Serious injury could result from slipping, falling or contact with hot surfaces or hot liquids.

WARNING

NEVER use the appliance as a step for cleaning or accessing the ventilation hood. Serious injury could result from slips, trips or from contacting hot surfaces or liquids.

WARNING

This appliance is intended for indoor use only.

WARNING

DO NOT operate appliance unless all panels and access covers are attached correctly.

WARNING

It is recommended that this appliance be inspected by a qualified service technician for proper performance and operation on a yearly basis.

WARNING

There is an open flame inside this appliance. The unit may get hot enough to set nearby materials on fire. Keep the area around the appliance free from combustibles.

WARNING

DO NOT supply the appliance with a gas that is not indicated on the data plate. If you need to convert the appliance to another type of fuel, contact your equipment dealer or a MagiKitch'n Authorized Service and Parts (ASAP) Company.

WARNING

DO NOT use an open flame to check for gas leaks!

WARNING

If gas flow to appliance is interrupted, or pilots extinguish, wait 5 minutes before attempting to relight the pilot to allow any residual gas in appliance to dissipate.

WARNING

Ensure that the appliance can get enough air to keep the flame burning correctly. If the flame is starved for air, it can give off a dangerous carbon monoxide gas. Carbon monoxide is a clear odorless gas that can cause suffocation.

TABLE OF CONTENTS

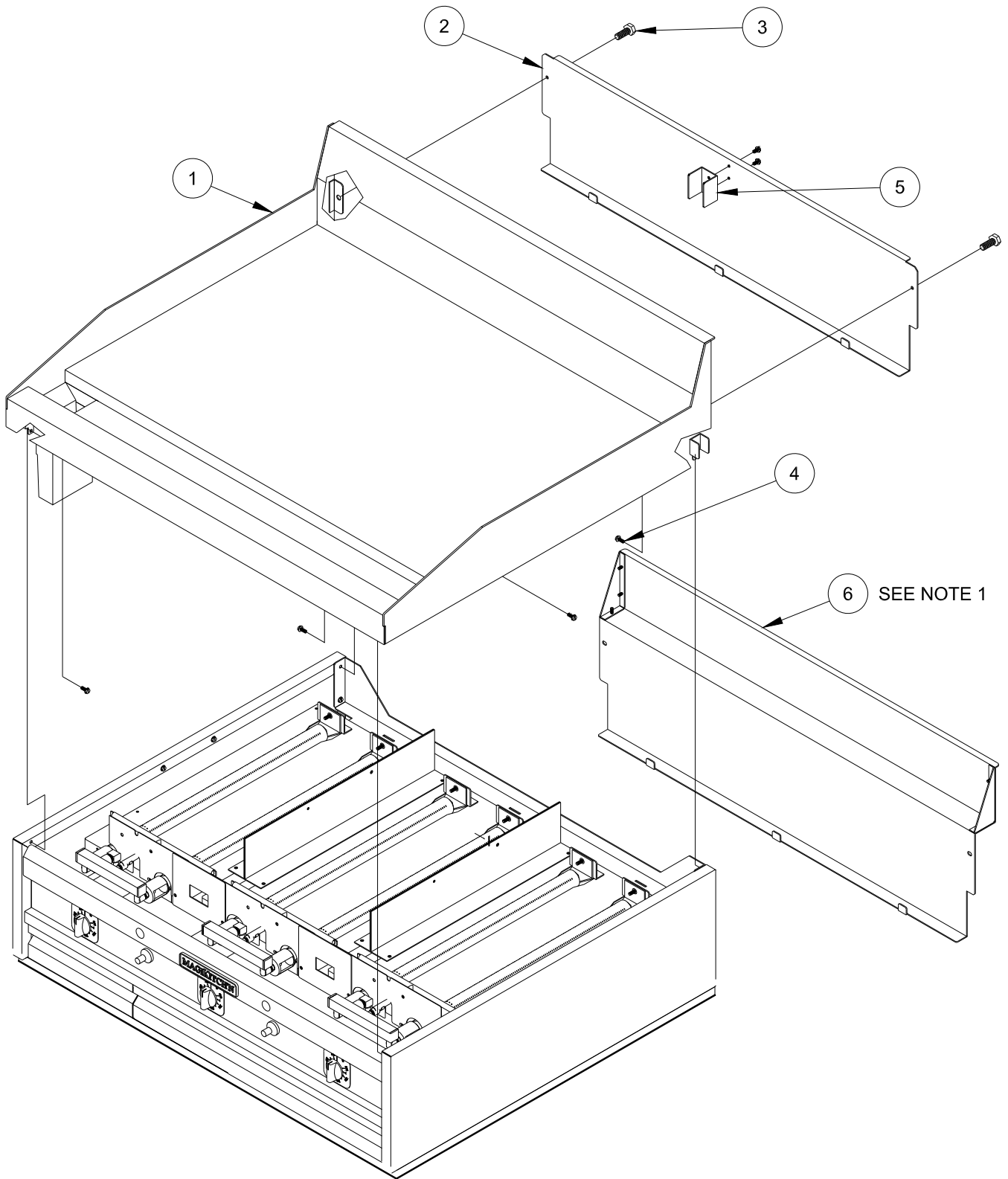
A) GRIDDLE ASSEMBLY	4
GRIDDLE ASSEMBLY VIEW A PARTS LIST	4
GRIDDLE ASSEMBLY VIEW A	5
GRIDDLE ASSEMBLY VIEW A1 PARTS LIST	6
GRIDDLE ASSEMBLY VIEW A1	7
B) CONTROLS.....	8
SNAP ACTION WITH PIEZO IGNITION CONTROLS VIEW B PARTS LIST	8
SNAP ACTION WITH PIEZO IGNITION CONTROLS VIEW B	9
MATCHLESS IGNITION CONTROLS VIEW B1 PARTS LIST	10
MATCHLESS IGNITION CONTROLS VIEW B1	11
C) CABINET.....	12
CABINET FRAME VIEW C PARTS LIST	12
CABINET FRAME VIEW C	13
D) GAS CONTROL PIPING.....	14
SNAP ACTION WITH PIEZO IGNITION GAS ASSEMBLY VIEW D PARTS LIST	14
SNAP ACTION WITH PIEZO IGNITION GAS ASSEMBLY VIEW D	15
MATCHLESS IGNITION GAS ASSEMBLY VIEW D1 PARTS LIST	16
MATCHLESS IGNITION GAS ASSEMBLY VIEW D1	17
PILOT ASSEMBLY VIEW D2 PARTS LIST	18
PILOT ASSEMBLY VIEW D2	19
E) ELECTRICAL INFORMATION	20
SOLID STATE CONTROL SCHEMATIC VIEW E	20
ELECTRIC THERMOSTAT SCHEMATIC VIEW E1	21
SINGLE POWER SWITCH ELECTRIC THERMOSTAT SCHEMATIC VIEW E2	22
SINGLE POWER SWITCH SOLID STATE THERMOSTAT SCHEMATIC VIEW E3	23
SOLID STATE CONTROL TEMPERATURE PROBE RESISTANCE CHART	24
NOTES PAGE	25

A) GRIDDLE ASSEMBLY

Griddle Assembly View A Parts List

ITEM #	PART #	PART DESCRIPTION	
1	5125-1536701	Weld Assembly, MKG24 Plain Steel Griddle Top	
	5125-1536702	Weld Assembly, MKG36 Plain Steel Griddle Top	
	5125-1536703	Weld Assembly, MKG48 Plain Steel Griddle Top	
	5125-1536704	Weld Assembly, MKG60 Plain Steel Griddle Top	
	5125-1536705	Weld Assembly, MKG72 Plain Steel Griddle Top	
	5125-1536706	Weld Assembly, MKG24 Chrome Plated Griddle Top	
	5125-1536707	Weld Assembly, MKG36 Chrome Plated Griddle Top	
	5125-1536708	Weld Assembly, MKG48 Chrome Plated Griddle Top	
	5125-1536709	Weld Assembly, MKG60 Chrome Plated Griddle Top	
	5125-1536710	Weld Assembly, MKG72 Chrome Plated Griddle Top	
	5125-1516601	Weld Assembly, MKG24 Plain Steel Griddle Top, LH Trough	
	5125-1516602	Weld Assembly, MKG36 Plain Steel Griddle Top, LH Trough	
	5125-1516603	Weld Assembly, MKG48 Plain Steel Griddle Top, LH Trough	
	5125-1516604	Weld Assembly, MKG60 Plain Steel Griddle Top, LH Trough	
	5125-1516605	Weld Assembly, MKG72 Plain Steel Griddle Top, LH Trough	
	5125-1516606	Weld Assembly, MKG24 Chrome Plated Griddle Top, LH Trough	
	5125-1516607	Weld Assembly, MKG36 Chrome Plated Griddle Top, LH Trough	
	5125-1516608	Weld Assembly, MKG48 Chrome Plated Griddle Top, LH Trough	
	5125-1516609	Weld Assembly, MKG60 Chrome Plated Griddle Top, LH Trough	
	5125-1516610	Weld Assembly, MKG72 Chrome Plated Griddle Top, LH Trough	
	5125-1537101	Weld Assembly, MKG24 Plain Steel Griddle Top, RR Trough	
	5125-1537102	Weld Assembly, MKG36 Plain Steel Griddle Top, RR Trough	
	5125-1537103	Weld Assembly, MKG48 Plain Steel Griddle Top, RR Trough	
	5125-1537104	Weld Assembly, MKG60 Plain Steel Griddle Top, RR Trough	
	5125-1537105	Weld Assembly, MKG72 Plain Steel Griddle Top, RR Trough	
	5125-1537106	Weld Assembly, MKG24 Chrome Plated Griddle Top, RR Trough	
	5125-1537107	Weld Assembly, MKG36 Chrome Plated Griddle Top, RR Trough	
	5125-1537108	Weld Assembly, MKG48 Chrome Plated Griddle Top, RR Trough	
	5125-1537109	Weld Assembly, MKG60 Chrome Plated Griddle Top, RR Trough	
	5125-1537110	Weld Assembly, MKG72 Chrome Plated Griddle Top, RR Trough	
	2	5425-1531001	Cabinet Back, Removable MKG24
		5425-1531002	Cabinet Back, Removable MKG36
		5425-1531003	Cabinet Back, Removable MKG48
5425-1531004		Cabinet Back, Removable MKG60	
5425-1531005		Cabinet Back, Removable MKG72	
3	P0020600	Bolt, ¼-20 UNC x ½" Thread	
4	P0075400	Screw, 10-24 x ½" Self Tap	
5	5425-1540301	Cabinet, Back Spacer Bracket MKG	
6	5225-1539701	Cabinet Back, Removable W/Flue MKG24	
	5225-1539702	Cabinet Back, Removable W/Flue MKG36	
	5225-1539703	Cabinet Back, Removable W/Flue MKG48	
	5225-1539704	Cabinet Back, Removable W/Flue MKG60	
	5225-1539705	Cabinet Back, Removable W/Flue MKG72	

Griddle Assembly View A

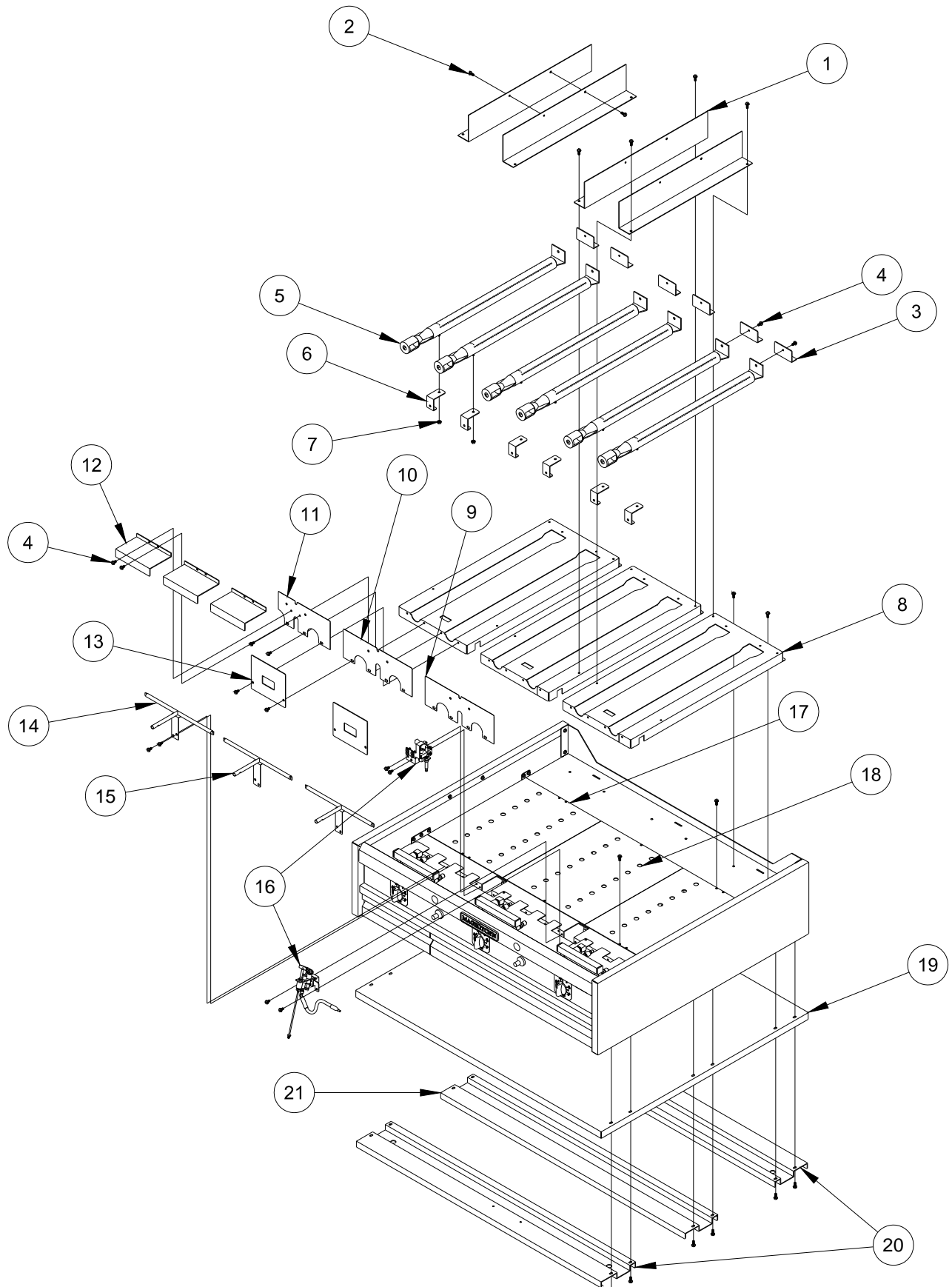


NOTE 1: Item 2 can be replaced with item 6, this allows flue to vent upwards.

Griddle Assembly View A1 Parts List

ITEM #	PART #	PART DESCRIPTION
1	5425-1529301	Cabinet, Burner Upright Divider MKG
2	P0075400	Screw, 10-24 x 1/2" Self Tap
3	5425-1531301	Cabinet, Burner Mounting Bracket
4	P0076100	Screw, 10-24 x3/4" Self Tap
5	60138901	Burner, 1.25" Diameter
	60138902	Burner, 1.25" Diameter Reduced Port
6	5425-1522301	Burner, Mounting Bracket front MKG
7	PP10196	Nut, 8-32 UNC
8	5425-1531201	Cabinet, Burner Mounting Plate MKG
	5425-1531202	Cabinet, Burner Mounting Plate MKG LH Trough
9	5425-1530303	Cabinet, Burner Seal Plate MKG L/R Pilot
10	5425-1530302	Cabinet, Burner Seal Plate MKG Mid Pilot
11	5425-1530301	Cabinet, Burner Seal Plate MKG Mid
12	5425-1533201	Burner, Manifold Retainer Bracket MKG EI
13	5425-1529201	Pilot, Cover Plate MKG
14	5125-1509401	W/A, Runner Tube LH MKG
	5125-1532801	W/A, Runner Tube LH with Side Chute MKG
15	5125-1509402	W/A, Runner Tube RH MKG
16	5225-1521801	C/A, Pilot Assy. MKG with Piezo Ignition
	5225-1521802	C/A, Pilot Assy. MKG Nat with Matchless Ignition
	5225-1521803	C/A, Pilot Assy. MKG LP with Matchless Ignition
17	5425-1530401	Cabinet, Shelf Seal Plate MKG Outer
	5425-1530404	Cabinet, Shelf Seal Plate MKG Side Trough
18	5425-1530403	Cabinet, Shelf Seal Plate MKG Center
19	5425-1519101	Cabinet, Bottom Outer MKG24
	5425-1519102	Cabinet, Bottom Outer MKG36
	5425-1519103	Cabinet, Bottom Outer MKG48
	5425-1519104	Cabinet, Bottom Outer MKG60
	5425-1519105	Cabinet, Bottom Outer MKG72
20	5125-1519201	W/A, Cabinet Bottom Front and Rear MKG24
	5125-1519202	W/A, Cabinet Bottom Front and Rear MKG36
	5125-1519203	W/A, Cabinet Bottom Front and Rear MKG48
	5125-1519204	W/A, Cabinet Bottom Front and Rear MKG60
	5125-1519205	W/A, Cabinet Bottom Front and Rear MKG72
21	5425-1519001	Cabinet, Bottom Support MKG24
	5425-1519002	Cabinet, Bottom Support MKG36
	5425-1519003	Cabinet, Bottom Support MKG48
	5425-1519004	Cabinet, Bottom Support MKG60
	5425-1519005	Cabinet, Bottom Support MKG72

Griddle Assembly View A1

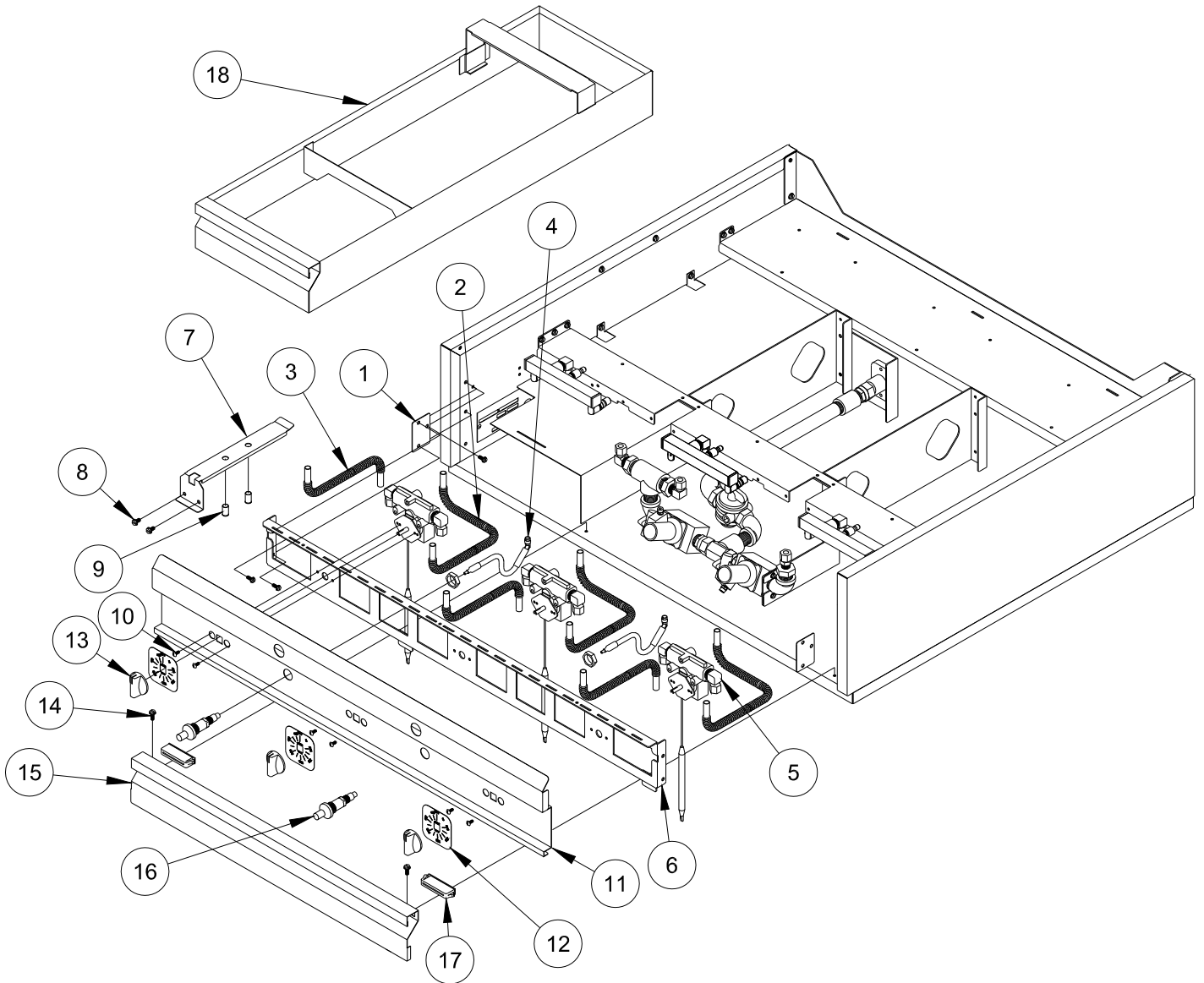


B) CONTROLS

Snap Action with Piezo Ignition Controls View B Parts List

ITEM #	PART #	PART DESCRIPTION
1	5425-1522802	Cabinet, Support Plate MKG Piezo
2	60119006	Tubing, Flexible .375" OD w.o Fitting 18"
	60119007	Tubing, Flexible .375" OD w.o Fitting 30"
3	60119008	Tubing, Flexible .375" OD w.o Fitting 8"
4	60141301	Wrg, Ignition Angle X .093 Dia. Female
5	60138801	Thermostat, Snap Action 200°-450°F
6	5425-1534601	Cabinet, Front Support Snap Action MKG24
	5425-1534602	Cabinet, Front Support Snap Action MKG36
	5425-1534603	Cabinet, Front Support Snap Action MKG48
	5425-1534604	Cabinet, Front Support Snap Action MKG60
	5425-1534605	Cabinet, Front Support Snap Action MKG72
7	5425-1508701	PG, Tstat Holder Bracket MKG
8	P0075400	Screw, 10-24 x ½" Self Tap
9	60092102	Nutsert, ¼-20 UNC THD
10	PP10687	Screw, 6-35 x 5/16" UNC Tr HD
11	5425-1540111	W/A, Front Panel Snap Action MKG24
	5425-1540112	W/A, Front Panel Snap Action MKG36
	5425-1540113	W/A, Front Panel Snap Action MKG48
	5425-1540114	W/A, Front Panel Snap Action MKG60
	5425-1540115	W/A, Front Panel Snap Action MKG72
12	A6087301	Label, Snap Action Thermostat
13	PP10944	Knob, Snap Action Thermostat
14	PP10023	Screw, 10-24 x3/8" Self Tap
15	5225-1534901	Door, Snap Action with Hinge MKG24
	5225-1534902	Door, Snap Action with Hinge MKG36
	5225-1534903	Door, Snap Action with Hinge MKG48
	5225-1534904	Door, Snap Action with Hinge MKG60
	5225-1534905	Door, Snap Action with Hinge MKG72
16	60141501	Ignitor, Piezo with Mounting Nut
17	P6071300	Magnet, Door
18	5125-1532401	W/A, Grease Box 3.7 Gal.

Snap Action with Piezo Ignition Controls View B



Matchless Ignition Controls View B1 Parts List

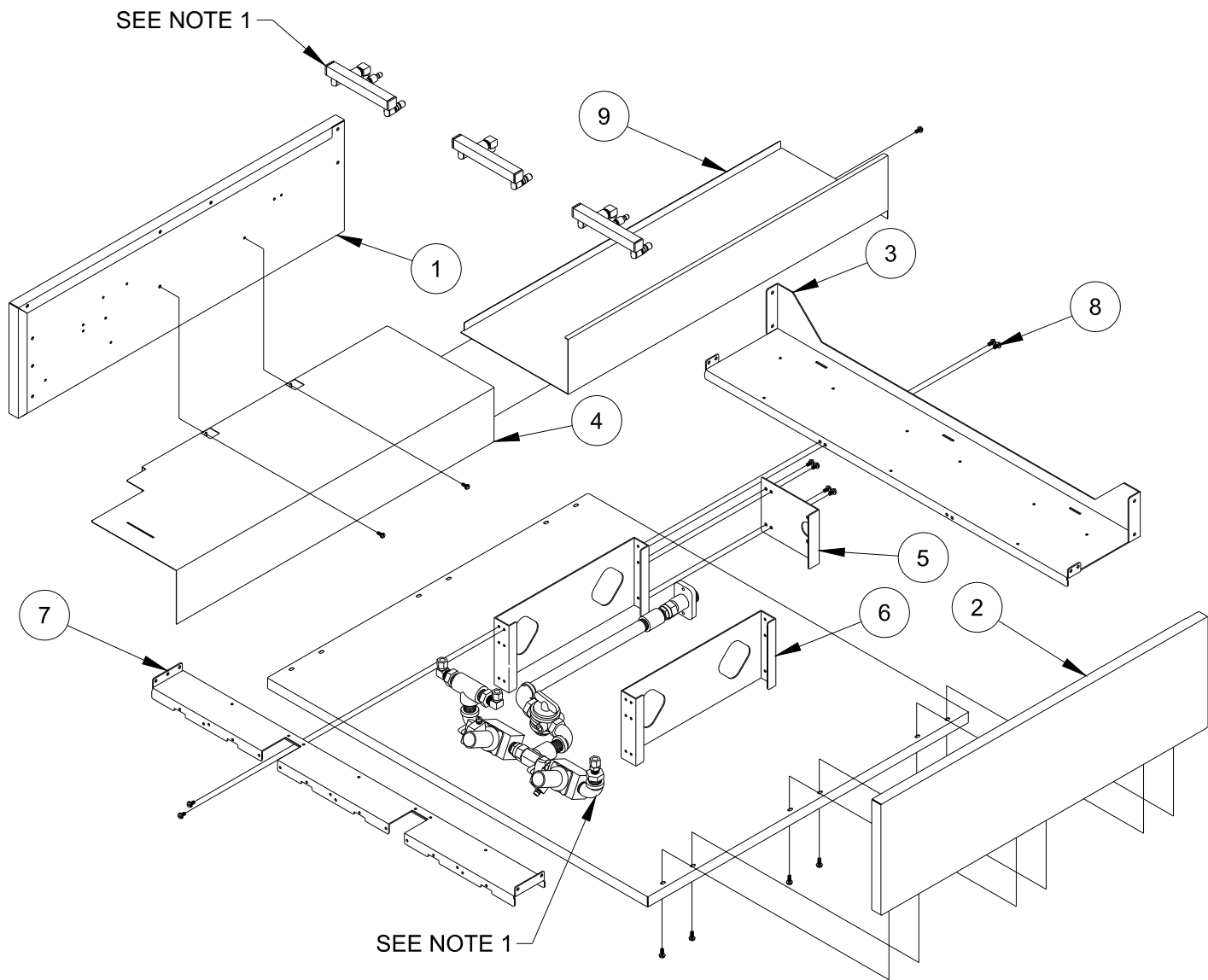
ITEM #	PART #	PART DESCRIPTION
1	5425-1530801	Heat Shield, Mid MKG24
	5425-1530802	Heat Shield, Mid MKG36
	5425-1530803	Heat Shield, Mid MKG48
	5425-1530804	Heat Shield, Mid MKG60
	5425-1530805	Heat Shield, Mid MKG72
2	P0075400	Screw, 10-24 x ½" Self Tap
3	5425-1540101	W/A, Front Panel Upper MKG24
	5425-1540102	W/A, Front Panel Upper MKG36
	5425-1540103	W/A, Front Panel Upper MKG48
	5425-1540104	W/A, Front Panel Upper MKG60
	5425-1540105	W/A, Front Panel Upper MKG72
4	601424101	Switch, Rocker DPDT 120V W/ Red Lamp
5	60142301	Lamp, Neon 120V Amber
6	5425-1529601	Bracket, Mounting Tstat Box MKG EI
7	60142801	Thermostat, 200-550°F Electric KX-458-36
	60142501	Control, Temp 150-550°F Solid State
8	5425-1529701	Bracket, Thermostat Mounting Plate MKG24 EI
	5425-1529702	Bracket, Thermostat Mounting Plate MKG36 EI
	5425-1529703	Bracket, Thermostat Mounting Plate MKG48 EI
	5425-1529704	Bracket, Thermostat Mounting Plate MKG60 EI
	5425-1529705	Bracket, Thermostat Mounting Plate MKG72 EI
9	60129403	Knob, ¼" Collet SSTC Thermostat
10	PP10023	Screw, 10-24 x 3/8" Self Tap
11	PP10693	Screw, 10-24 x 3/8" Trs Hd
12	PP10687	Screw, 6-32 x 5/16" Trs Hd
13	5125-1530701	W/A, Front Panel Lower MKG24 EI
	5125-1530702	W/A, Front Panel Lower MKG36 EI
	5125-1530703	W/A, Front Panel Lower MKG48 EI
	5125-1530704	W/A, Front Panel Lower MKG60 EI
	5125-1530705	W/A, Front Panel Lower MKG72 EI
14	5425-1508701	PG, Tstat Holder Bracket MKG
15	60092102	Nutset, ¼-20 UNC THD
16	60141101	Probe, RTD 1K DIN 13" MKG
17	5425-1523001	Probe, Retainer Bracket MKG EI
18	5125-1532401	W/A, Grease Box 3.7 Gal.
19	A6087302	Label, SSTC Thermostat
20	B6780901	Wrg, Dual Control Panel MKG EI, (Harness Not Shown)
21	B6781001	Wrg, Single Control Panel MKG EI, (Harness Not Shown)
22	B6781101	Wrg, Dual Valve MKG EI, (Harness Not Shown)
23	B6781201	Wrg, Single Valve MKG EI, (Harness Not Shown)
24	700342-1	Schematic, Label MKG EI W/ SSTC, (Not Shown)
	700342-2	Schematic, Label MKG EI W/ ESTAT, (Not Shown)
25	700382-1	Schematic, Label OB-MKG EI W/ SSTC, (Not Shown)
	700382-2	Schematic, Label OB-MKG EI W/ ESTAT, (Not Shown)

C) CABINET

Cabinet Frame View C Parts List

ITEM #	PART #	PART DESCRIPTION
1	5225-1532601	Cabinet, Left Hand Side MKG
	5225-1532603	Cabinet, Left Hand Side MKG Rear Trough
2	5225-1532602	Cabinet, Right Hand Side MKG
	5225-1532604	Cabinet, Right Hand Side MKG Rear Trough
3	5425-1530901	Cabinet, Back Support MKG24
	5425-1530902	Cabinet, Back Support MKG36
	5425-1530903	Cabinet, Back Support MKG48
	5425-1530904	Cabinet, Back Support MKG60
	5425-1530905	Cabinet, Back Support MKG72
	5425-1530906	Cabinet, Back Support MKG24 Rear Trough
	5425-1530907	Cabinet, Back Support MKG36 Rear Trough
	5425-1530908	Cabinet, Back Support MKG48 Rear Trough
	5425-1530909	Cabinet, Back Support MKG60 Rear Trough
	5425-1530910	Cabinet, Back Support MKG72 Rear Trough
4	5425-1530501	Cabinet, Grease Box Enclosure MKG LH Matchless
	5425-1530502	Cabinet, Grease Box Enclosure MKG RH Matchless
	5425-1530503	Cabinet, Grease Box Enclosure MKG LH Side Chute Matchless
	5425-1530504	Cabinet, Grease Box Enclosure MKG RH Side Chute Matchless
	5425-1530505	Cabinet, Grease Box Enclosure MKG LH Rear Chute Matchless
	5425-1530506	Cabinet, Grease Box Enclosure MKG RH Rear Chute Matchless
	5425-1530507	Cabinet, Grease Box Enclosure MKG LH Snap Action
	5425-1530508	Cabinet, Grease Box Enclosure MKG RH Snap Action
	5425-1530509	Cabinet, Grease Box Enclosure MKG LH Side Chute Snap Action
	5425-1530510	Cabinet, Grease Box Enclosure MKG RH Side Chute Snap Action
	5425-1530511	Cabinet, Grease Box Enclosure MKG LH Rear Chute Snap Action
	5425-1530512	Cabinet, Grease Box Enclosure MKG RH Rear Chute Snap Action
	5425-1540801	Cabinet, Grease Box Enclosure MKG LH Rear Trough Matchless
	5425-1540802	Cabinet, Grease Box Enclosure MKG RH Rear Trough Matchless
5425-1540803	Cabinet, Grease Box Enclosure MKG LH Rear Trough Snap Action	
5425-1540804	Cabinet, Grease Box Enclosure MKG RH Rear Trough Snap Action	
5	5425-1531401	Cabinet, Gas Supply Pipe Bracket MKG
6	5425-1520302	Cabinet, Inner Upright Support MKG
7	5425-1521901	Cabinet, Inner Front Support MKG24
	5425-1521902	Cabinet, Inner Front Support MKG36
	5425-1521903	Cabinet, Inner Front Support MKG48
	5425-1521904	Cabinet, Inner Front Support MKG60
	5425-1521905	Cabinet, Inner Front Support MKG72
8	P0075400	Screw, 10-24 x ½" Self Tap
9	5425-1539902	Grease Box, Enclosure Floor LH MKG Matchless
	5425-1539904	Grease Box, Enclosure Floor RH MKG Matchless
	5425-1539906	Grease Box, Enclosure Floor LH MKG Snap Action
	5425-1539908	Grease Box, Enclosure Floor RH MKG Snap Action

Cabinet Frame View C



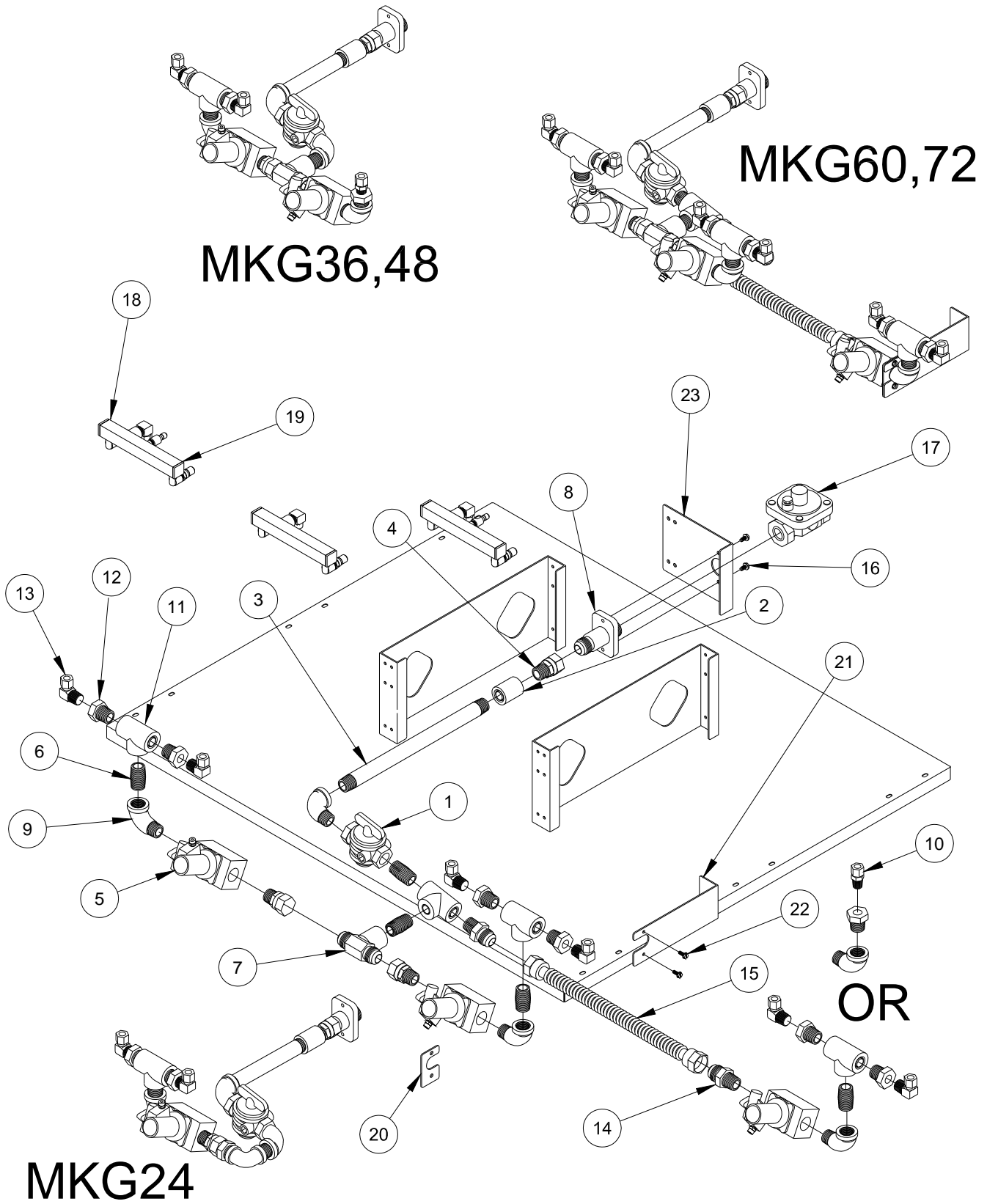
NOTE 1: See following tables and drawing for these assembly diagrams and part number information.

D) GAS CONTROL PIPING

Snap Action with Piezo Ignition Gas Assembly View D Parts List

ITEM #	PART #	PART DESCRIPTION
1	P6071767	Valve, Manual Shut Off, ½" NPT
2	P70366605	Coupling, ½" NPT Mild Steel
3	60148201	Nipple, ½" x 12" NPT Blk Iron
4	60127601	Fitting, Brass ½" MNPT x Fem Swivel
5	60139101	Valve, Gas Safety Single T-Couple
6	P7037090	Nipple, ½" Close NPT Blk Iron
7	A8033101	Piping, Tee ½" FNPT x 15/16" Flare
8	A8029105	Coupling, Gas Supply, SG MKG
9	P7037750	Elbow, ½" Street NPT
10	60139401	Fitting, Straight Compression 1/4" NPT x 3/8" Tube
11	P7036855	Tee, ½" NPT Blk Iron
12	PP11056	Bushing, Reducer Hex ½" NPT x ¼" NPT
13	PP11134	Fitting, Elbow Compression ¼" NPT x 3/8" Tube
14	60129902	Fitting, Adapter Male Flare 45 x ½" MNPT (MKG60 & 72 Only)
15	60128001	Tube, Flexible w/ Fittings 16"(MKG60 & 72 Only)
16	60129301	Screw, 10-24 x 5/8" Mach HH ZN w/ Loc Tite
17	2701-0028200	Regulator, Natural Gas 3.0"-5.0"
	2701-0028300	Regulator, Propane Gas 5.0"-12.0"
18	5225-1520001	Manifold, Main Burner MKG
	5225-1520002	Manifold, Main Burner MKG Left Hand Trough
19	2908-0032300	Orifice, Natural Gas #49 DMS
	2908-1318208	Orifice, Propane Gas 1.15 MM
20	5425-1537701	Piping, Gas Bracket Stiffener Retainer
21	5425-1537801	Piping, Gas Bracket Stiffener
22	P0075400	Screw, 10-24 x ½" Self Tap
23	5425-1531401	Bracket, Gas Supply Pipe Inlet

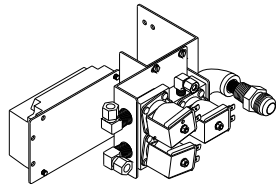
Snap Action with Piezo Ignition Gas Assembly View D



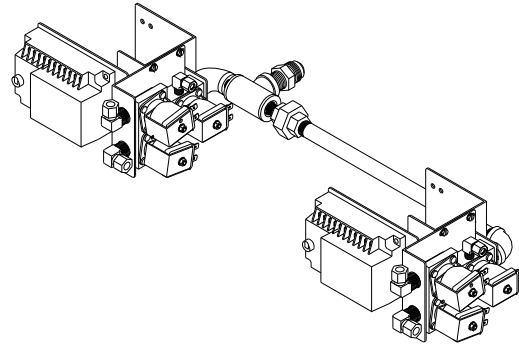
Matchless Ignition Gas Assembly View D1 Parts List

ITEM #	PART #	PART DESCRIPTION
1	60141901	Control, Ignition Spark/Sense 120V w/o Cover
	60141902	Control, Ignition Spark/Sense 120V w/ Cover
2	P0091400	Nutsert, 6-32 UNC THD
3	P0075400	Screw, 10-24 x 1/2" Self Tap
4	5425-1523302	Bracket, Ignition Control Module L/R
5	5425-1529501	Bracket, Component MKG EI
6	60086401	Fitting, Brass Compression 3/8" TU x 3/8" NPT
7	PP10690	Screw, 6-32 x 1/2" UNC THD
8	5425-1523801	Bracket, Piping Solenoid
9	P7036727	Plug, 3/8" NPT Steel
10	60142001	Valve, Dual Port 120 VAC
11	P7037301	Nipple, 3/8" Close NPT Blk Iron Pipe
12	60142101	Valve, Single Port 120 VAC
13	P7037797	Elbow, Brass Compression 1/8" TU x 1/4" NPT
14	P7037675	Elbow, 90° 3/8" Blk Iron Pipe
15	P7037313	Nipple, 3/8" x 6-1/2" NPT Blk Iron Pipe
16	P7036901	Union, 3/8" NPT Blk Iron Pipe
17	P7036854	Tee, 3/8" NPT Blk Iron Pipe
18	60122902	Fitting, Male Adapter Flare 45 x 1/2"
19	P7036860	Tee, 3/4" NPT Blk Iron Pipe
20	60127601	Fitting, Brass 1/2" MNPT x Fem Swivel
21	60128001	Tube, Flexible w/ Fittings 16"(MKG60 & 72 Only)
22	2701-0028200	Regulator, Natural Gas 3.0"-5.0"
	2701-0028300	Regulator, Propane Gas 5.0"-12.0"
23	P7037350	Nipple, 3/4" Close NPT Blk Iron Pipe
24	PP11095	Valve, Manual Shut Off, 3/4" NPT
25	P7037679	Elbow, 90° 3/4" Blk Iron Pipe
26	60129301	Screw, 10-24 x 5/8" Mach HH ZN w/ Loc Tite
27	5425-1531401	Bracket, Gas Supply Pipe Inlet
28	A8029105	Coupling, Gas Supply, SG MKG
29	5225-1520001	Manifold, Main Burner MKG
	5225-1520002	Manifold, Main Burner MKG Left Hand Trough
30	2908-0032300	Orifice, Natural Gas #49 DMS
	2908-1318208	Orifice, Propane Gas 1.15 MM

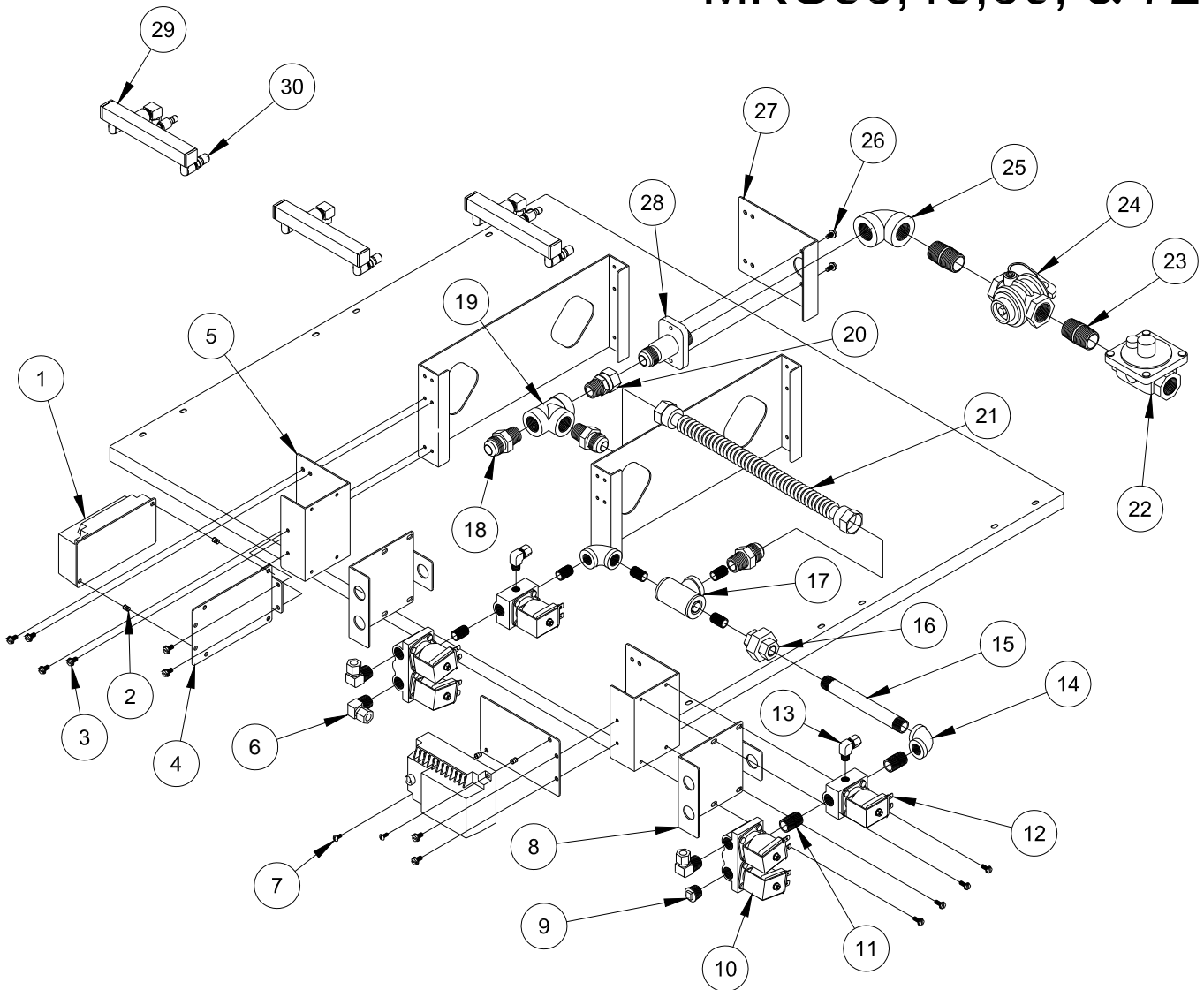
Matchless Ignition Gas Assembly View D1



MKG24,60, & 72



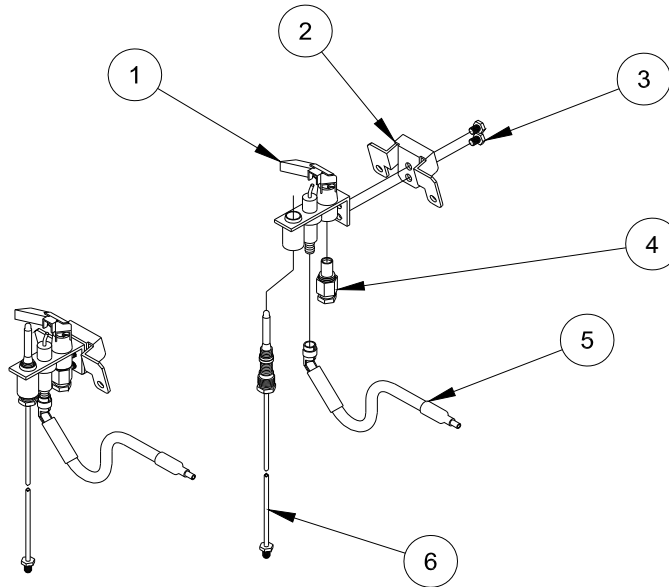
MKG36,48,60, & 72



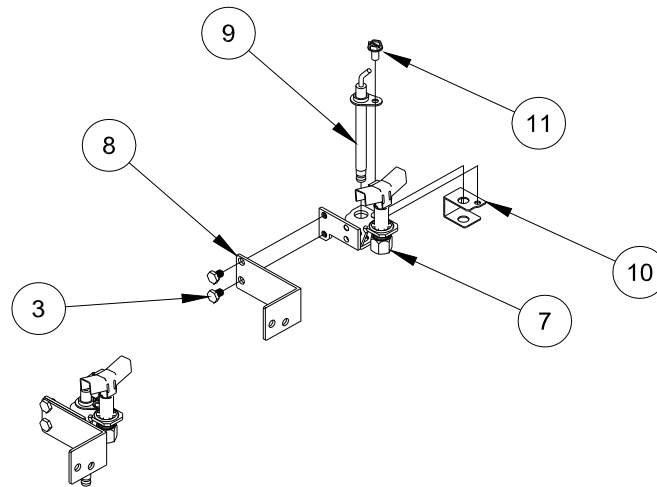
Pilot Assembly View D2 Parts List

ITEM #	PART #	PART DESCRIPTION
1	PP11296	Pilot, Center Ignitor w/ Rajah Terminal
2	5425-1521201	Pilot, Bracket MKG Piezo
3	60088001	Screw, 10-32 x1/4" HHD SST
4	P6071331	Orifice, EI Pilot Natural Gas
	P6071332	Orifice, EI Pilot Propane Gas
5	60141301	Wire, Ignition Piezo MKG
6	P5047540	Thermocouple, T46 24
7	60128801	Pilot Reverse standing SG Natural Gas
	60128802	Pilot Reverse standing SG Propane Gas
8	5425-1526101	Pilot, Bracket MKG Matchless
9	A8036404	Electrode, Ignition/Flame Sense MKG EI
10	A8037001	Piping, Bracket Electrode Alignment
11	PP10023	Screw, 10-24 x3/8" Self Tap

Pilot Assembly View D2



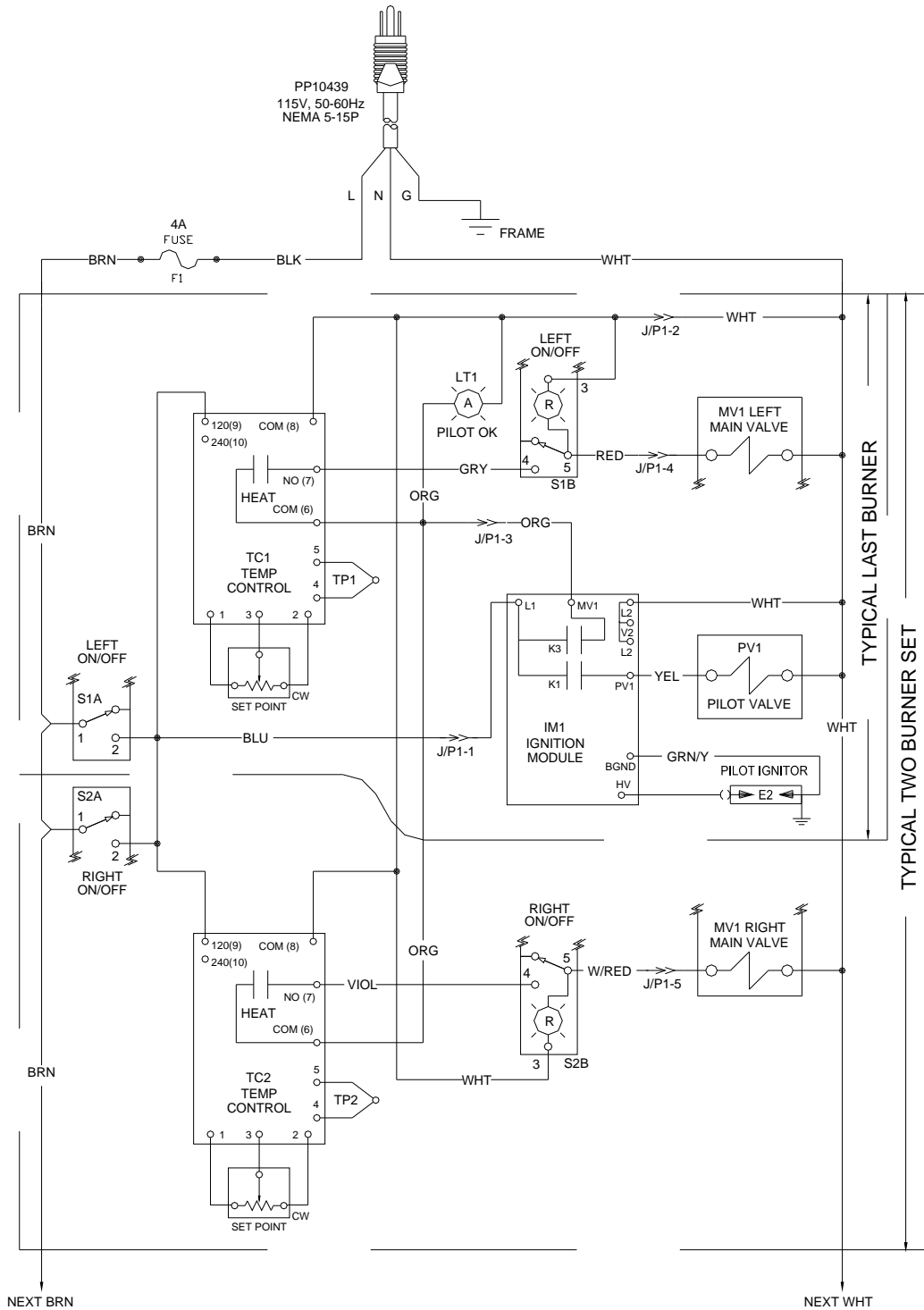
PIEZO PILOT ASSEMBLY



MATCHLESS PILOT ASSEMBLY

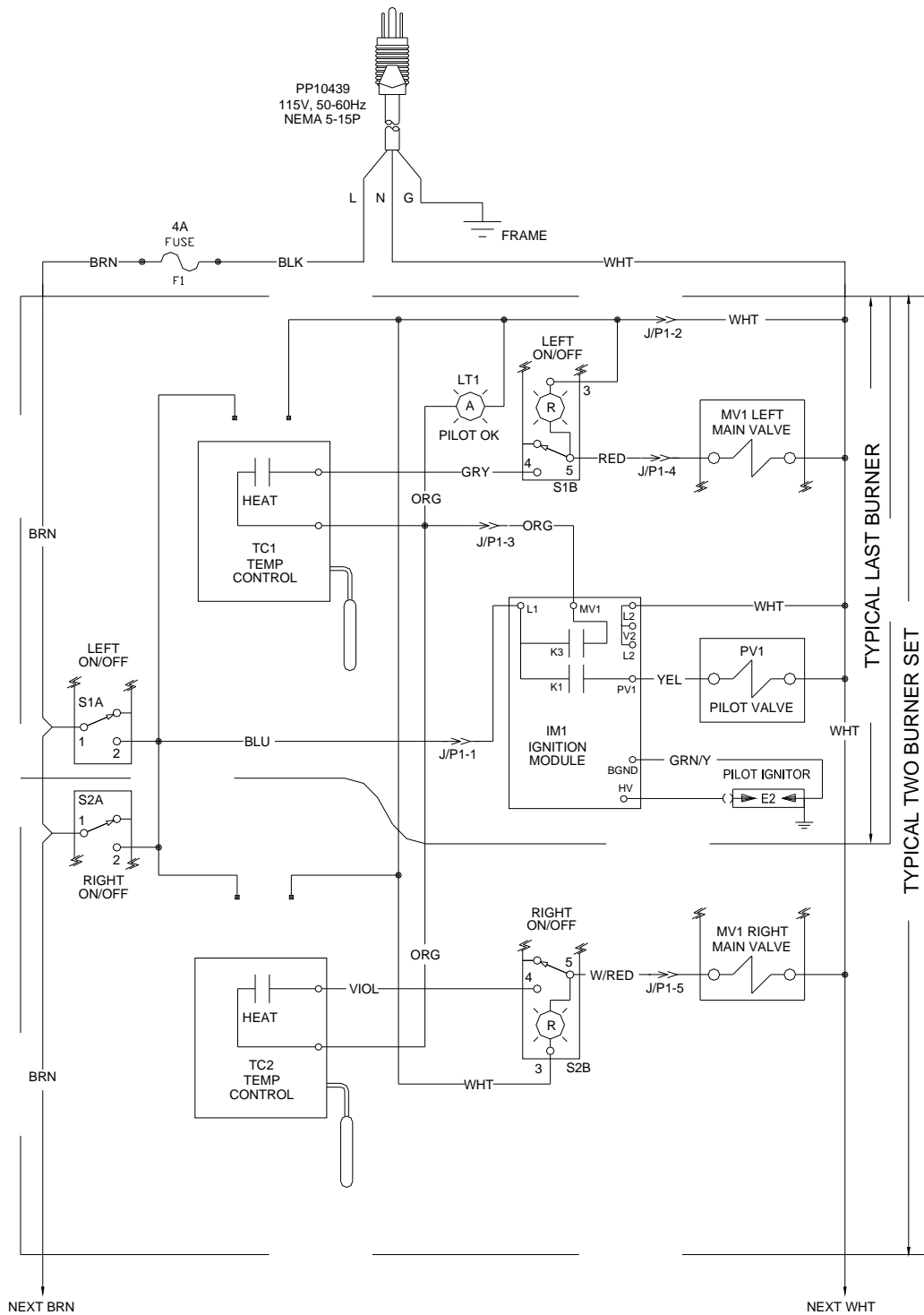
E) ELECTRICAL INFORMATION

Solid State Control Schematic View E



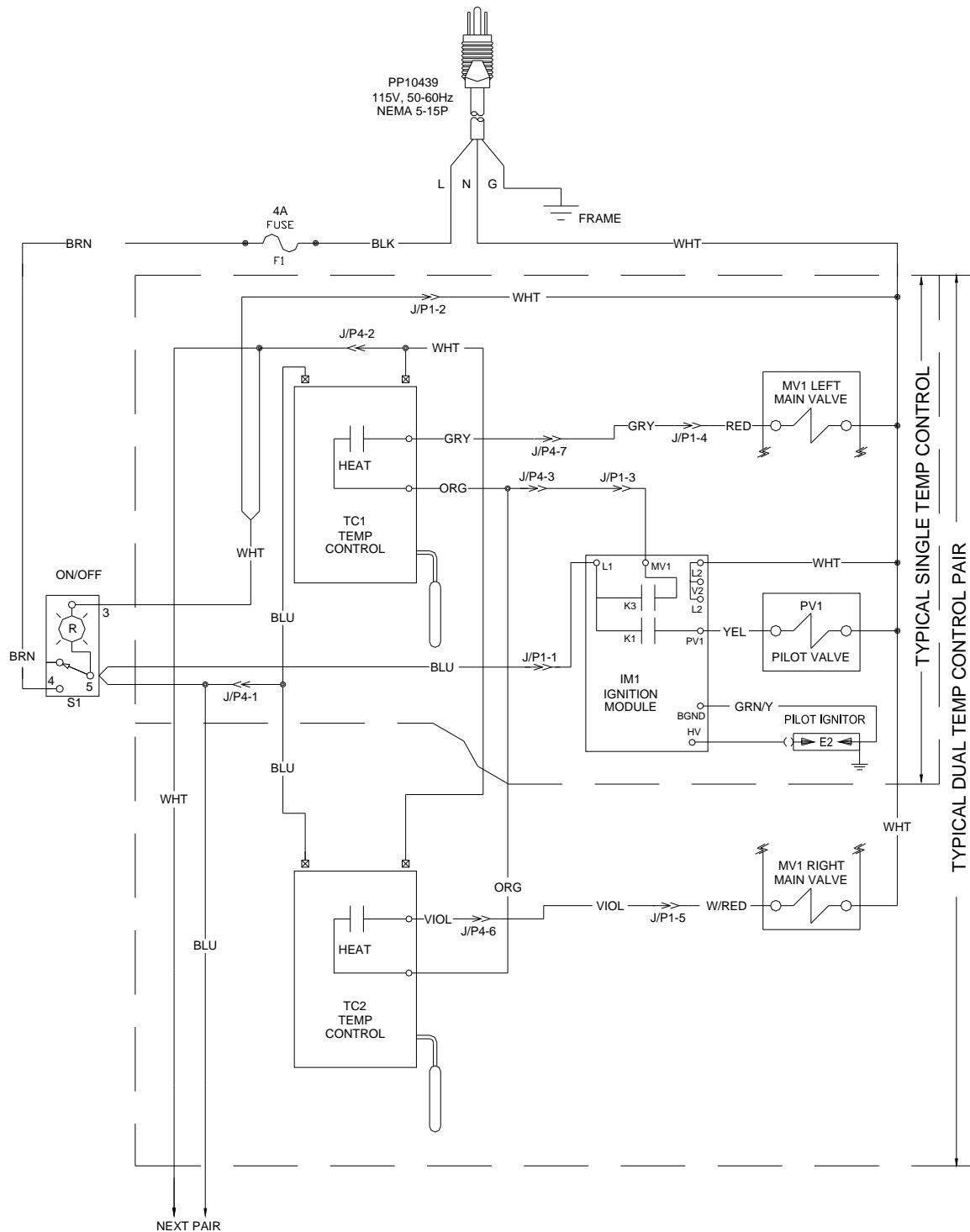
SOLID STATE CONTROL SCHEMATIC

Electric Thermostat Schematic View E1



ELECTRIC THERMOSTAT SCHEMATIC

Single Power Switch Electric Thermostat Schematic View E2



SINGLE POWER SWITCH ELECTRIC THERMOSTAT SCHEMATIC

Solid State Control Temperature Probe Resistance Chart

Degrees Celsius (°C)	Degrees Fahrenheit (°F)	Resistance In (Ohms)
0	32	1000
10	50	1039
20	68	1078
30	86	1117
40	104	1155
50	122	1194
60	140	1232
70	158	1271
80	176	1309
90	194	1347
100	212	1385
110	230	1423
120	248	1461
130	266	1498
140	284	1536
150	302	1573
160	320	1610
170	338	1648
180	356	1685
190	374	1722
200	392	1758
210	410	1795
220	428	1832
230	446	1868
240	464	1905
250	482	1941

NOTES PAGE



In the event of problems with or questions about your order, please contact the MagiKitch'n factory at :
(603)225-6684 World Wide
www.magikitchn.com

In the event of problems with or questions about your equipment, please contact the MagiKitch'n Authorized Service and Parts representative (ASAP) covering your area, or contact MagiKitch'n at the numbers listed to the left.

MAILING ADDRESS – P.O. BOX 501, CONCORD, NH 03302-0501