



COMMERCIAL

SERVICE/INSTALL MANUAL

IMPORTANT INFORMATION,
KEEP FOR OPERATOR

USA & Canada, 866-339-8515
4003 Collins Lane, Louisville, KY 40245
www.kelvinatorcommercial.com

THIS MANUAL MUST BE RETAINED FOR FUTURE REFERENCE. READ, UNDERSTAND AND FOLLOW THE INSTRUCTIONS AND WARNINGS CONTAINED IN THIS MANUAL.

FOR YOUR SAFETY Do not store or use gasoline or other flammable vapors and liquids in the vicinity of this or any other appliance.

NOTIFY CARRIER OF DAMAGE AT ONCE It is the responsibility of the consignee to inspect the container upon receipt of same and to determine the possibility of any damage, including concealed damage. Electrolux Professional, Inc. suggests that if you are suspicious of damage to make a notation on the delivery receipt. It will be the responsibility of the consignee to file a claim with the carrier. We recommend that you do so at once.

Manufacture Service/Questions 866-339-8515.

This manual provides information for:

GLASS FROSTER



RETAIN THIS MANUAL FOR FUTURE REFERENCE

NOTICE: Due to a continuous program of product improvement, Electrolux Professional, Inc. reserves the right to make changes in design and specifications without prior notice. **NOTICE:** Please read the entire manual carefully before installation. If certain recommended procedures are not followed, warranty claims will be denied.

The serial number of all self-contained refrigerators and freezers is located inside the unit on the left hand side near the top on the wall. Always have the serial number of your unit available when calling for parts or service. This manual covers standard units only. If you have a custom unit, consult the customer service department at the number listed in this manual.

EQUIPMENT DESCRIPTION

MODEL NO.	REFRIGERANT TYPE	REFRIGERANT WEIGHT, G	V/HZ/PH	AMPS	CAPACITY		HP	BTU	CHARGE OZ	SHIP WEIGHT LBS	NEMA PLUG
					STORAGE (CU FT)	SHELF (SQ FT)					
KCHGF24	R600a	100	115/60/1	1.5	2.2	3.13	1/5	866	3.53	148	5-15P
KCHGF36	R600a	100	115/60/1	1.5	3.9	5.54	1/5	866	3.53	187	5-15P

RECEIVING & INSPECTING THE EQUIPMENT

Even though most equipment is shipped crated, care should be taken during unloading so the equipment is not damaged while being moved into the building.

1. Visually inspect the exterior of the package and skid or container. Any damage should be noted and reported to the delivering carrier immediately.
2. If damaged, open and inspect the contents with the carrier.
3. In the event that the exterior is not damaged, yet upon opening, there is concealed damage to the equipment, notify the carrier. Notification should be made verbally as well as in written form.
4. Request an inspection by the shipping company of the damaged equipment. This should be done within 10 days from receipt of the equipment.
5. Be certain to check the compressor compartment housing and visually inspect the refrigeration package. Be sure lines are secure and base is still intact.
6. Freight carriers can supply the necessary damage forms upon request.
7. Retain all crating material until an inspection has been made or waived.

IMPORTANT - READ FIRST - IMPORTANT

YOUR SAFETY AND THE SAFETY OF OTHERS ARE VERY IMPORTANT.

WE HAVE PROVIDED MANY IMPORTANT SAFETY MESSAGES IN THIS MANUAL AND ON YOUR APPLIANCE. ALWAYS READ AND OBEY ALL SAFETY MESSAGES.

OUR PRODUCT INSTRUCTIONS WILL BE UPLOADED ON OUR COMPANY OFFICIAL WEBSITE.



THIS IS THE SAFETY ALERT SYMBOL. THIS SYMBOL ALERTS YOU TO POTENTIAL HAZARDS THAT CAN KILL OR INJURE YOU AND OTHERS. ALL SAFETY MESSAGES WILL FOLLOW THE SAFETY ALERT SYMBOL AND EITHER THE WORDS "DANGER", "WARNING" OR "CAUTION".

DANGER MEANS THAT FAILURE TO HEED THIS SAFETY STATEMENT MAY RESULT IN SEVERE PERSONAL INJURY OR DEATH.



WARNING MEANS THAT FAILURE TO HEED THIS SAFETY STATEMENT MAY RESULT IN EXTENSIVE PRODUCT DAMAGE, SERIOUS PERSONAL INJURY, OR DEATH.



CAUTION MEANS THAT FAILURE TO HEED THIS SAFETY STATEMENT MAY RESULT IN MINOR OR MODERATE PERSONAL INJURY, OR PROPERTY OR EQUIPMENT DAMAGE.

ALL SAFETY MESSAGES WILL ALERT YOU TO WHAT THE POTENTIAL HAZARD IS, TELL YOU HOW TO REDUCE THE CHANCE OF INJURY, AND LET YOU KNOW WHAT CAN HAPPEN IF THE INSTRUCTIONS ARE NOT FOLLOWED.

FOLLOW BASIC PRECAUTIONS, INCLUDING THE FOLLOWING:

NOTE: IF THE SUPPLY CORD IS DAMAGED, IT MUST BE REPLACED BY THE MANUFACTURER, ITS SERVICE AGENT OR SIMILARLY QUALIFIED PERSONS IN ORDER TO AVOID A HAZARD.

NOTE: THIS APPLIANCE IS NOT INTENDED FOR USE BY PERSONS (INCLUDING CHILDREN) WITH REDUCED PHYSICAL, SENSORY OR MENTAL CAPABILITIES, OR LACK OF EXPERIENCE AND KNOWLEDGE, UNLESS THEY HAVE BEEN GIVEN SUPERVISION OR INSTRUCTION CONCERNING USE OF THE APPLIANCE BY A PERSON RESPONSIBLE FOR THEIR SAFETY.

NOTE: CHILDREN SHOULD BE SUPERVISED TO ENSURE THAT THEY DO NOT PLAY WITH THE APPLIANCE.

NOTE: THIS APPLIANCE CAN BE USED BY CHILDREN AGED FROM 8 YEARS AND ABOVE AND PERSONS WITH REDUCED PHYSICAL SENSORY OR MENTAL CAPABILITIES OR LACK OF EXPERIENCE AND KNOWLEDGE IF THEY HAVE BEEN GIVEN SUPERVISION OR INSTRUCTION CONCERNING USE OF THE APPLIANCE IN A SAFE WAY AND UNDERSTAND THE HAZARDS INVOLVED. CHILDREN SHALL NOT PLAY WITH THE APPLIANCE. CLEANING AND USER MAINTENANCE SHALL NOT BE MADE BY CHILDREN WITHOUT SUPERVISION.

NOTE: KEEP THE APPLIANCE AND ITS CORD OUT OF REACH OF CHILDREN LESS THAN 8 YEARS.

NOTE: DO NOT STORE EXPLOSIVE SUBSTANCES SUCH AS AEROSOL CANS WITH A FLAMMABLE PROPELLANT IN THIS APPLIANCE.

NOTE: THE APPLIANCE USE FLAMMABLE INSULATION BLOWING GAS C5H10, DISPOSAL OF THE APPLIANCE SHALL IN ACCORDANCE WITH THE REGULATIONS OF LOCAL AUTHORITIES.

NOTE: THE KEY FOR APPLIANCE ELECTRIC BOX SHOULD BE SAFE KEPT BY QUALIFIED PERSONS IN ORDER TO AVOID A HAZARD

WARNING: KEEP VENTILATION OPENINGS, IN THE APPLIANCE ENCLOSURE OR IN THE BUILT-IN STRUCTURE, CLEAR OF OBSTRUCTION.

WARNING: DO NOT USE MECHANICAL DEVICES OR OTHER MEANS TO ACCELERATE THE DEFROSTING PROCESS, OTHER THAN THOSE RECOMMENDED BY THE MANUFACTURER.

WARNING: DO NOT DAMAGE THE REFRIGERANT CIRCUIT.

WARNING: DO NOT USE ELECTRICAL APPLIANCES INSIDE THE FOOD STORAGE COMPARTMENTS OF THE APPLIANCE, UNLESS THEY ARE OF THE TYPE RECOMMENDED BY THE MANUFACTURER. HANDLING, MOVING, AND USE OF THE REFRIGERATOR OR FREEZER TO AVOID EITHER DAMAGING THE REFRIGERANT TUBING, OR INCREASING THE RISK OF A LEAK.

CAUTION: RISK OF FIRE OR EXPLOSION DUE TO FLAMMABLE REFRIGERANT USED. FOLLOW HANDLING INSTRUCTIONS CAREFULLY IN COMPLIANCE WITH U.S. GOVERNMENT REGULATIONS. COMPONENT PARTS SHALL BE REPLACED WITH LIKE COMPONENTS AND THAT SERVICING SHALL BE DONE BY FACTORY AUTHORIZED SERVICE PERSONNEL, SO AS TO MINIMIZE THE RISK OF POSSIBLE IGNITION DUE TO INCORRECT PARTS OR IMPROPER SERVICE.

CAUTION: RISK OF FIRE OR EXPLOSION DUE TO PUNCTURE OF REFRIGERANT TUBING; FOLLOW HANDLING INSTRUCTIONS CAREFULLY. FLAMMABLE REFRIGERANT USED

DANGER: RISK OF CHILD ENTRAPMENT. BEFORE YOU THROW AWAY YOUR OLD REFRIGERATOR OR FREEZER: TAKE OFF THE DOORS, LEAVE THE SHELVES IN PLACE SO THAT CHILDREN MAY NOT EASILY CLIMB INSIDE.

INSTALLATION

NOTE: UNIT REPAIRS WILL NOT BE SUBJECT TO STANDARD UNIT WARRANTIES IF DUE TO IMPROPER INSTALLATION PROCEDURES.

DANGER: THE UNIT MUST BE TURNED OFF AND DISCONNECTED FROM THE POWER SOURCE WHENEVER PERFORMING SERVICE, MAINTENANCE FUNCTIONS OR CLEANING THE REFRIGERATED AREA.

UTILITY REQUIREMENTS AND ELECTRICAL CONNECTIONS

Electrical: 115 Volt AC, 1 Phase, 60 Hz, A separate 15 Amp circuit is recommended. A 9-foot grounded cord is included.

All Glass Frosters models are shipped in one carton. These steps should be followed:

1. If legs or casters are included, bolt them to the base with the bolts provided.
2. Unwrap power cord from base.
3. Position Glass Froster and level and/or seal as required.
4. If shelves are included, install shelves.
5. Plug into 115 volt AC outlet.
6. Load with glasses, mugs, plates, etc.
7. 41°F ~100°F is recommended as working environment temperature.

LOCATION

Units represented in this manual are intended for indoor use only. Be sure the location chosen has a floor strong enough to support the total weight of the cabinet and contents. A fully loaded unit can weigh as much as 1500 pounds. Reinforce the floor as necessary to provide for maximum loading. For the most efficient refrigeration, be sure to provide good air circulation inside and out.

INSIDE CABINET

Do not pack the units so full that air cannot circulate. The refrigerated air is discharged at the top rear of the unit. It is important to allow for proper air flow from the top rear to the bottom of the unit. Obstructions to this air flow can cause evaporator coil freeze ups and loss of temperature or overflow of water from the evaporator drain pan. Air is brought into the evaporator coil with fans. Prevent obstruction to allow the outlet or inlet of air flow.

OUTSIDE CABINET

Be sure that the unit has access to ample air. Avoid hot corners and locations near stoves and ovens. It is recommended that the unit be installed no closer than 2" from any wall

LEVELING

A level cabinet looks better and will perform better because the doors will line up with the frames properly.

STABILIZING

Should it become necessary to lay the unit on its side or back for any reason, allow at least 24 hours before start-up to allow compressor oil to flow back to place. Failure to meet this requirement can cause compressor failure and unit damage.

ELECTRICAL CONNECTION

Refer to the amperage data in this manual, the serial tag, your local code or the National Electrical Code to be sure the unit is connected to the proper power source. A protected circuit of the correct voltage and amperage must be run for connection of the line cord, or permanent connection to the unit.

OPERATION

CAUTION: DO NOT THROW ITEMS INTO THE STORAGE AREA. FAILURE TO HEED THESE RECOMMENDATIONS COULD RESULT IN DAMAGE TO THE INTERIOR OF THE CABINET.

REFRIGERATED CABINETS

During the refrigeration cycle, the controller supplies power to the condensing unit and evaporator fan motors. The evaporator fan will run at any time when the evaporator coil temperature is below 54°F and it will cycle off during the defrost period. The factory setting of the temperature range for the glass froster is -7 to -3°F. Continuous opening and closing of the door will prevent the unit's ability to maintain optimum refrigeration temperature.

DEFROSTING:

Every 6 hours, the unit will turn off so the evaporator coil can defrost. The controller now displays the defrost symbol. When the coil temperature reaches the terminal temperature or after 20 minutes of defrost, the unit will turn on.

CONTROL PANEL SOLID-STATE THERMOSTAT



FRONT PANEL COMMANDS

SET SET: To display target set point; in programming mode it selects a parameter or confirms an operation.

DEF: To start a manual defrost

UP: To see the max. stored temperature; in programming mode it browses the parameter codes or increases the display valve

DOWN: To see the min. stored temperature; in programming mode it browses the parameter codes or decreases the display value

To switch the instrument off, if onF = OFF.

Not enabled

Key combination:

+ To lock and unlock the keyboard

SET + To enter in programming mode

SET + To return to the room temperature display

LED	MODE	FUNCTION
	On	Compressor enabled
	Flashing	Anti-short cycle delay enabled
	On	Defrost enabled
	Flashing	Drip time in progress
	On	Fans enabled
	Flashing	Fans delay after defrost in progress
	On	An alarm is occurring
	On	Continuous cycle is running
	On	Energy saving enabled
°C/°F	On	Measurement unit
°C/°F	Flashing	Programming phase

MAX & MIN TEMPERATURE MEMORIZATION

How to see the MIN temperature:

1. Press and release the key.
2. The “Lo” message will be displayed followed by the minimum temperature recorded.
3. By pressing the key again or by waiting 5 seconds the normal display will be restored.

How to see the MAX temperature:

1. Press and release the key.
2. The “Hi” message will be displayed followed by the maximum temperature recorded.
3. By pressing the key again or by waiting 5 seconds the normal display will be restored.

How to reset the MAX and MIN temperature recorded:

1. Hold press the SET key for more than 3 seconds, while the max and min temperature is displayed. (rST message will be displayed)
2. To confirm the operation the “rST” message starts blinking and the normal temperature will be displayed.

MAIN FUNCTIONS

How to see the setpoint:

1. Push and immediately release the **SET** key: the display will show the set point value.
2. Push and immediately release the **SET** key or wait for 5 seconds to display the probe value again.

How to change the setpoint:

1. Press the **SET** key for more than 2 seconds to change the set point value.
2. The value of the set point will be displayed and the “°C” or “°F” LED starts blinking.
3. To change the set value, push the or key within 10 seconds.
4. To memorize the new set point value, push the **SET** key again or wait 10 seconds.

How to start a manual defrost:

1. Push the **DEF** () key for more than 2 seconds and a manual defrost will start.

How to change a parameter value:

To change the parameter's value operate as follows:

1. Enter the programming mode by pressing the **SET** + keys for more than 3 seconds (the “°C” or “°F” LED starts blinking).
2. Select the required parameter. Press the **SET** key to display its value.

- Use ▲ or ▼ to change its value.
- Press **SET** to store the new value and move to the following parameter.

To Exit: Press the **SET + ▲** or wait 15 seconds without pressing a key.

Note: The set value is stored even when the procedure is exited by waiting the time-out to expire.

How to lock the keyboard:

- Press and hold for more than 3 seconds the ▲ + ▼ keys.
- The “**POF**” message will be displayed and the keyboard will be locked. At this point it will be possibly only to see the set point or the MAX or MIN temperature stored.
- If a key is pressed for more than 3 seconds the “**POF**” message will be displayed.



How to unlock the keyboard:

- Press and hold together for more than 3 seconds the ▲ and ▼ keys, til the “**Pon**” message is displayed.

The continuous cycle:

When defrost is not progress, it can be activated by holding the ▲ key pressed for about 3 seconds. The compressor operates to maintain the “**ccS**” set point for the time set through the “**Cct**” parameter. The cycle can be terminated before the end of the set time using the same activation key ▲ for 3 seconds.

The ON/OFF functions:

With “**onF = oFF**”, pushing the **ON/OFF**  key, the instrument is switched off. The “**OFF**” message is displayed. In this configuration, the regulation is disabled. To switch the instrument on, push again the **ON/OFF**  key.

WARNING: Loads connected to the normally closed contacts of the relays are always supplied and under voltage, even if the instrument is in stand by mode.

ALARM SIGNALS

MESSAGE	CAUSE	OUTPUTS
“P1”	Room probe failure	Compressor output acc. to par. “Con” and “COF”
“P2”	Evaporator probe failure	Defrost end is timed
“HA”	Maximum temperature alarm	Outputs unchanged
“LA”	Minimum temperature alarm	Outputs unchanged
“HA2”	Condenser high temperature	It depends on the “Ac2” parameter
“LA2”	Condenser low temperature	It depends on the “bLL” parameter
“dA”	Door open	Compressor and fans restarts
“EA”	External alarm	Output unchanged
“CA”	Serious external alarm (i1F=bAL)	All outputs OFF
“CA”	Pressure switch alarm (i1F=PAL)	All outputs OFF

How to see the alarm and reset the recorded alarm:

- Push the ▲ or ▼ key to display the alarm signals.
- When the signal is displayed, hold the SET key until the “rst” message is displayed. Push the SET key again. The “rst” message starts blinking and the normal temperature will be displayed again.

Alarm recovery:

Probe alarms “**P1**”, “**P2**” start some seconds after the fault in the related probe; they automatically stop some seconds after the probe restarts normal operation. Check connections before replacing the probe.

Temperature alarms “**HA**”, “**LA**”, “**HA2**” and “**LA2**” automatically stop as soon as the temperature returns to normal values.

Alarms “**EA**” and “**CA**” (with i1F=bAL) recover as soon as the digital input is disabled.

Alarm “**CA**” (with i1F=PAL) recovers only by **switching off and on** the instrument.

Other messages:

CODE	DESCRIPTION
Pon	Keyboard Unlocked
PoF	Keyboard locked
noP	In programming mode: none parameter is present in Pr1 On the display or in dP2, dP3, dP4: the selected probe is not enabled
noA	None alarm is recorded

MAINTENANCE

DANGER: THE POWER SWITCH MUST BE TURNED OFF AND THE UNIT DISCONNECTED FROM THE POWER SOURCE WHENEVER PERFORMING SERVICE, MAINTENANCE FUNCTIONS OR CLEANING THE REFRIGERATED AREA.

DANGER: NEVER USE A HIGH PRESSURE WATER WASH FOR THIS CLEANING PROCEDURE AS WATER CAN DAMAGE THE ELECTRICAL COMPONENTS LOCATED NEAR OR AT THE CONDENSER COIL.

DANGER: NEVER USE STEEL PADS, WIRE BRUSHES OR SCRAPERS!

CAUTION: NEVER USE AN ACID BASED CLEANING SOLUTION! MANY FOOD PRODUCTS HAVE AN ACIDIC CONTENT WHICH CAN DETERIORATE THE FINISH. BE SURE TO CLEAN THE STAINLESS STEEL SURFACES OF ALL FOOD PRODUCTS.

REFRIGERATORS AND FREEZERS

The interior and exterior can be cleaned using soap and warm water. If this isn't sufficient, try ammonia and water or a nonabrasive liquid cleaner. When cleaning the exterior, always rub with the “grain” of the stainless steel to avoid marring the finish.

Do not use an abrasive cleaner because it will scratch the stainless steel and plastic and can damage the breaker strips and gaskets.

CLEANING THE CONDENSER COIL

The condenser coil requires regular cleaning and it is recommended every 90 days. In some instances, you may find that there is a large amount of debris and dust or grease accumulated prior to the 90 day time frame. In these cases the condenser coil should be cleaned every 30 days.

If the build up on the coil consists of only light dust and debris, the condenser coil can be cleaned with a simple brush. Heavier dust build-up may require a vacuum or even compressed air to blow through the condenser coil.

If heavy grease is present, there are de-greasing agents available for refrigeration use and specifically for the condenser coils. The condenser coil may require cleaning with the de-greasing agent and then blown through with compressed air.

Failure to maintain a clean condenser coil can initially cause high temperatures and excessive run times. Continuous operation with dirty or clogged condenser coils can result in compressor failures. Neglecting the condenser coil cleaning procedures will void any warranties associated with the compressor or cost to replace the compressor.

In order to maintain proper refrigeration performance, the condenser fins must be cleaned of dust, dirt and grease regularly. It is recommended that this be done at least every three months. If conditions are such that the condenser is totally blocked in three months, the frequency of cleaning should be increased. Clean the condenser with a vacuum cleaner or stiff brush. If extremely dirty, a commercial-grade condenser cleaner may be required.

STAINLESS STEEL CARE AND CLEANING

To prevent discoloration of rust on stainless steel several important steps need to be taken. First, we need to understand the properties of stainless steel. Stainless steel contains 70-80% iron which will rust. It also contains 12-30% chromium which forms an invisible passive film over the steel's surface which acts as a shield against corrosion. As long as the protective layer is intact, the metal is still stainless. If the film is broken or contaminated, outside elements can begin to breakdown the steel and begin to form rust or discoloration.

Proper cleaning of stainless steel requires soft cloths or plastic scouring pads. Cleaning solutions need to be alkaline based or non-chloride based. Any cleaner containing chlorides will damage the protective film of the stainless steel. Chlorides are commonly found in hard water, salts, and household and industrial cleaners. If cleaners containing chlorides are used, be sure to rinse and dry thoroughly.

Routine cleaning of stainless steel can be done with soap and water. Extreme stains or grease should be cleaned with a non-abrasive cleaner and plastic scrub pad. It is always good to rub with the grain of the steel. There are also stainless steel cleaners available which can restore and preserve the finish of the steel's protective layer.

Early signs of stainless steel breakdown can consist of small pits and cracks. If this has begun, clean thoroughly and start to apply stainless steel cleaners in attempt to restore the passivity of the steel.

GASKET MAINTENANCE

Gaskets require regular cleaning to prevent mold and mildew build up and also to keep the elasticity of the gasket. Gasket cleaning can be done with the use of warm soapy water. Avoid full strength cleaning products on gaskets as this can cause them to become brittle and prevent proper seals. Do not use sharp tools or knives to scrape or clean the gasket which could possibly tear the gasket and rip the bellows.

Gaskets can easily be replaced and don't require the use of tools or authorized service technicians. The gaskets are "Dart" style and can be pulled out of the groove in the door and replaced by pressing the new one back into place.

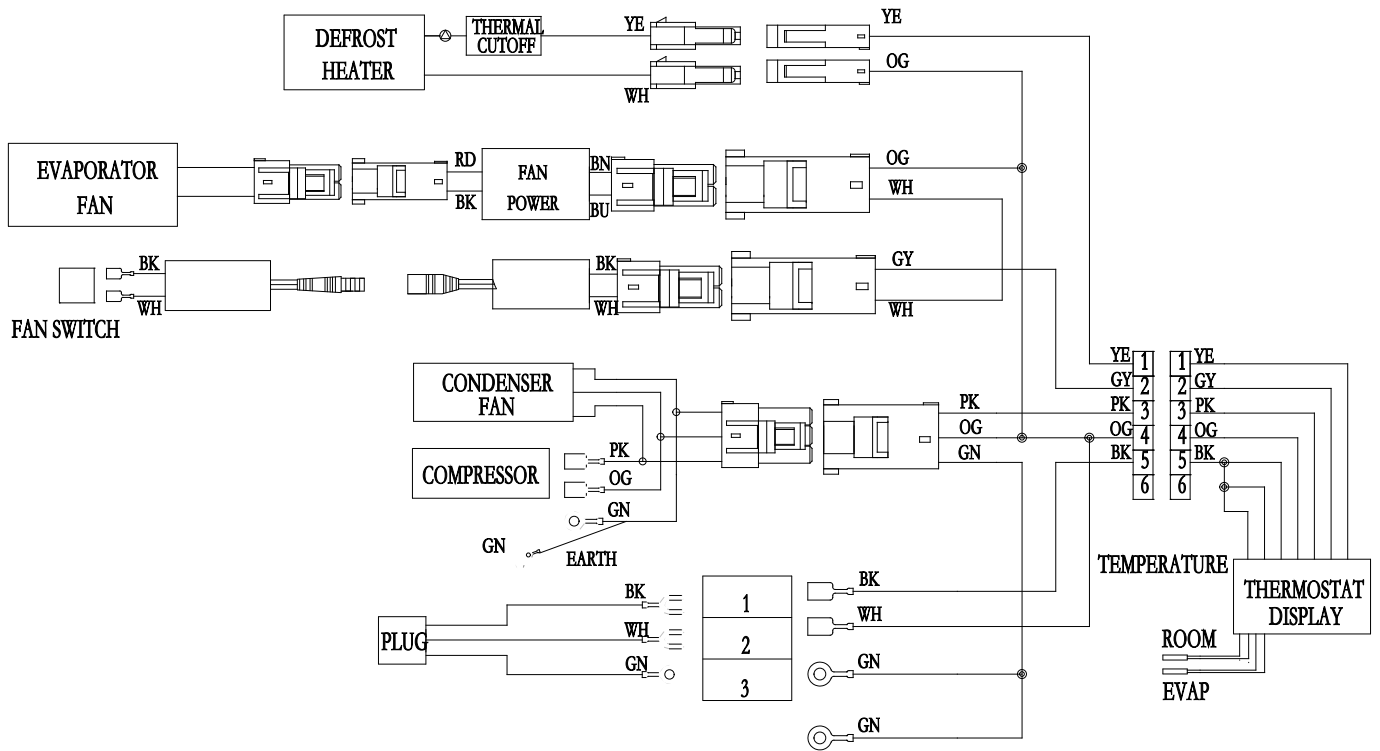
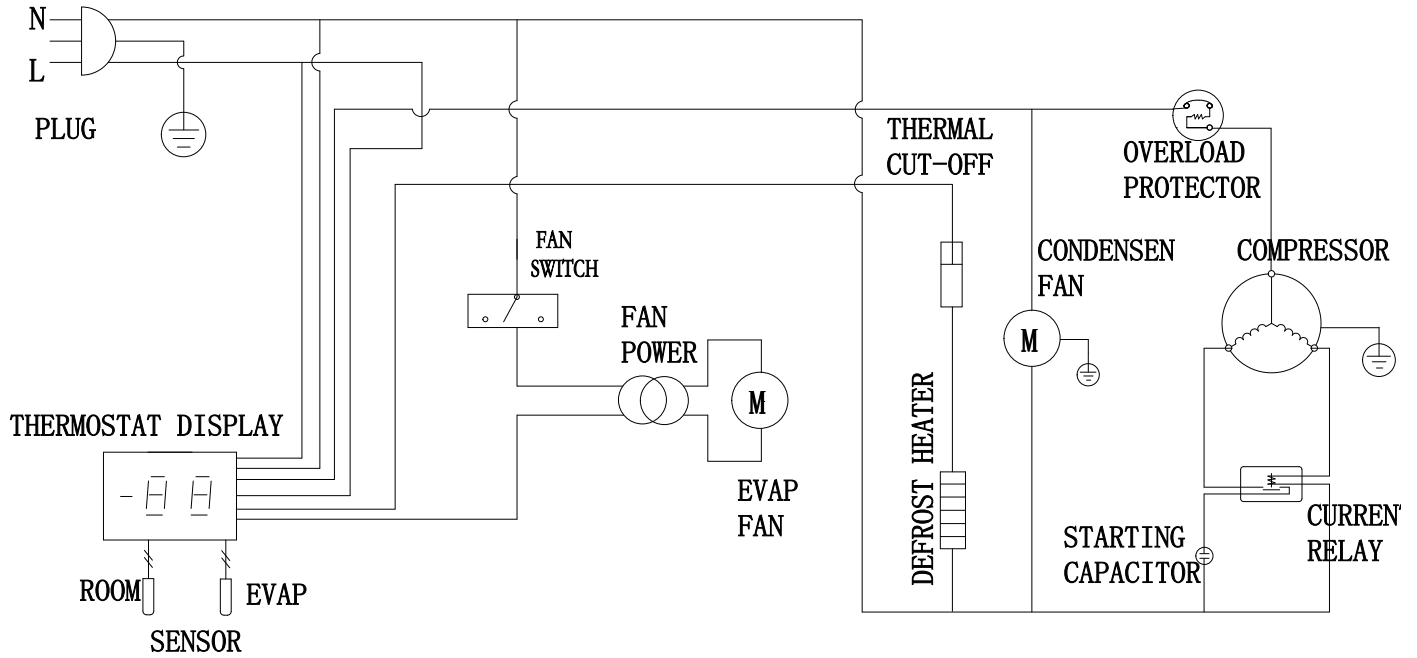
DOORS/HINGES

Over time and with heavy use, door hinges may become loose. If the door is beginning to sag, tighten the screws that mount the hinge brackets to the frame of the unit. If the doors are loose or sagging, this can cause the hinge to pull out of the frame which may damage both the doors and the door hinges.

DRAIN MAINTENANCE

Each unit has a drain located inside the unit which removes the condensation from the evaporator coil and evaporates it into an external condensate evaporator pan. Each drain can become loose or disconnected from moving or bumping the drain. If you notice excessive water accumulation on the inside of the unit, be sure the drain tube is connected from the evaporator housing to the condensate evaporator drain pan. If water starts to collect underneath the unit, you may want to check the condensate evaporator drain tube to be sure it is still located inside the drain pan. The leveling of the unit is important as the units are designed to drain properly when on a level surface, if your floor is not level, this can also cause drain problems. Be sure all drain lines are free of obstructions because this may cause water to back up and overflow the drain pans.

Wiring Diagram



WARRANTY

Your appliance is covered by a **three (3) year limited warranty**. For three (3) years from your original date of purchase, Electrolux Professional, Inc. will pay all costs, except as set forth below, for repairing or replacing any parts of this appliance that prove to be defective in materials or workmanship when such appliance is installed, used, and maintained in accordance with the provided instructions. For appliances that are manufactured with a compressor, an additional two (2) year part warranty is provided for the compressor only.

EXCLUSIONS

THIS WARRANTY DOES NOT COVER THE FOLLOWING:

1. Products where the original serial number has been removed, altered or cannot be readily determined.
2. Normal wear and tear and gradual deterioration.
3. Product that has been transferred from its original owner to another party or moved outside the USA or Canada.
4. Rust on the interior or exterior of the unit.
5. Products purchased "as-is".
6. Food loss due to any refrigerator or freezer failures.
7. Damage caused at any time during shipment.
8. Service calls which do not involve malfunction or defects in materials or workmanship, or for appliances used other than in accordance with the provided instructions.
9. Service calls to correct the installation of your appliance or to instruct you how to use your appliance.
10. Expenses for making the appliance accessible for servicing, such as removal of trim, cupboards, shelves, etc., which are not a part of the appliance when it is shipped from the factory.
11. Service calls to replace appliance light bulbs, air filters, water filters, and other consumables, or knobs, handles, and other cosmetic parts.
12. Surcharges including, but not limited to, any after hours, weekend, or holiday service calls, tolls, ferry trip charges, or mileage expense for service calls to remote areas, including the state of Alaska.
13. Damages to the finish of the appliance and/or the appliance location that are incurred during installation, including but not limited to floors, cabinets, walls, etc.
14. Damages caused by: services performed by unauthorized service companies; use of parts other than genuine Electrolux Professional, Inc. parts or parts obtained from persons other than authorized service companies; or external causes such as abuse, misuse, inadequate power supply, accidents, fires, or acts of God.
15. For appliances operated by a concessionaire or vendor in a trailer or other motorized vehicle, or at varying locations, your appliance is covered by a one (1) year, limited parts and labor warranty. For appliances that are manufactured with a compressor, an additional four (4) year part warranty is provided for the compressor only.

DISCLAIMER OF IMPLIED WARRANTIES; LIMITATION OF REMEDIES

CUSTOMER'S SOLE AND EXCLUSIVE REMEDY UNDER THIS LIMITED WARRANTY SHALL BE PRODUCT REPAIR OR REPLACEMENT AS PROVIDED HEREIN. CLAIMS BASED ON IMPLIED WARRANTIES, INCLUDING WARRANTIES OF MERCHANTABILITY OR FITNESS FOR A PARTICULAR PURPOSE, ARE LIMITED TO ONE (1) YEAR OR THE SHORTEST PERIOD ALLOWED BY LAW, BUT NOT LESS THAN ONE (1) YEAR. ELECTROLUX PROFESSIONAL, INC. SHALL NOT BE LIABLE FOR CONSEQUENTIAL OR INCIDENTAL DAMAGES SUCH AS PROPERTY DAMAGE AND INCIDENTAL EXPENSES RESULTING FROM ANY BREACH OF THIS WRITTEN LIMITED WARRANTY OR ANY IMPLIED WARRANTY. SOME STATES AND PROVINCES DO NOT ALLOW THE EXCLUSION OR LIMITATION OF INCIDENTAL OR CONSEQUENTIAL DAMAGES, OR LIMITATIONS ON THE DURATION OF IMPLIED WARRANTIES, SO THESE LIMITATIONS OR EXCLUSIONS MAY NOT APPLY TO YOU. THIS WRITTEN WARRANTY GIVES YOU SPECIFIC LEGAL RIGHTS. YOU MAY ALSO HAVE OTHER RIGHTS THAT VARY FROM STATE TO STATE.

If You Need Service

In order to obtain service the unit must first be registered at KelvinatorCommercial.com. Once registered please call 866-339-8515 for assistance.

This warranty only applies in the USA and Canada and is warranted by **Electrolux Professional, Inc.** For installations outside the US and Canada, please contact your local equipment provider for warranty specifics.

Electrolux Professional, Inc. authorizes no person to change or add to any obligations under this warranty. Obligations for service and parts under this warranty must be performed by Electrolux Professional, Inc. or an authorized service company. Product features or specifications as described or illustrated are subject to change without notice.

(November 2023)

866-339-8515

Electrolux Professional, Inc.



COMMERCIAL

MANUAL DE SERVICIO/INSTALACIÓN

INFORMACIÓN IMPORTANTE,
CONSERVESE PARA EL USUARIO

Estados Unidos y Canadá, 866-339-8515
4003 Collins Lane, Louisville, KY 40245
www.kelvinatorcommercial.com

ESTE MANUAL DEBE CONSERVARSE PARA CONSULTAS FUTURAS. ASEGÚRESE DE LEER, COMPRENDER Y CUMPLIR LAS INSTRUCCIONES Y ADVERTENCIAS QUE CONTIENE ESTE MANUAL.

PARA SU SEGURIDAD No guarde ni utilice gasolina ni otros líquidos o vapores inflamables cerca de este equipo ni de ningún otro.

NOTIFIQUE LOS DAÑOS AL TRANSPORTISTA DE MANERA INMEDIATA
Es responsabilidad del destinatario inspeccionar el contenedor al recibirlo y determinar la posibilidad de cualquier daño, incluidos los daños ocultos. Electrolux Professional Inc. recomienda que, si sospecha que se han producido daños, anote un comentario en el recibo del material. Será responsabilidad del destinatario presentar una reclamación al transportista. Es conveniente que lo haga de inmediato.

Servicio de fabricación/consultas 866-339-8515.

Este manual contiene información sobre:

ENFRIADOR DE BOTELLAS



CONSERVE ESTE MANUAL PARA CONSULTAS FUTURAS

AVISO: Debido a un programa continuo de mejora del producto, Electrolux Professional Inc. se reserva el derecho de realizar cambios en el diseño y las especificaciones sin previo aviso. **AVISO:** Lea detenidamente todo el manual antes de la instalación. Si no se siguen ciertos procedimientos recomendados, se rechazarán las reclamaciones de garantía.

El número de serie de todas las neveras y congeladores autónomos se encuentra fuera de la unidad, en el lado izquierdo, cerca de la parte superior. Tenga siempre a mano el número de serie de la unidad cuando llame para solicitar piezas o servicio técnico. Este manual trata solamente sobre unidades estándar. Si tiene una unidad personalizada, consulte al servicio de atención al cliente en el número que aparece en este manual.

DESCRIPCIÓN DEL EQUIPO

N.º DE MODELO	TIPO DE REFRIGERANTE	PESO DEL REFRIGERANTE, G	V/HZ/PH	AMPERIOS	CAPACIDAD		HP	BTU	ONZAS DE CARGA	PESO DE ENVÍO LB/KG	ENCHUFE NEMA
					ALMACENAMIENTO (PIES ³ /M ³)	ESTANTE (PIES ² /METROS ²)					
KCHGF24	R600a	100	115/60/1	1,5	2,2/0,06	3,13/0,29	1/5	866	3,53	148/67	5-15P
KCHGF36	R600a	100	115/60/1	1,5	3,9/0,11	5,54/0,51	1/5	866	3,53	187/85	5-15P

RECEPCIÓN E INSPECCIÓN DEL EQUIPO

Si bien la mayoría de los equipos se envían embalados, se debe tener cuidado durante la descarga para no dañar el equipo al desplazarlo hasta el lugar de instalación.

1. Inspeccione visualmente el exterior del paquete y la plataforma o contenedor. Si se observan daños se deben registrar y comunicar de inmediato al transportista.
2. En caso de daños, abra e inspeccione el contenido con el transportista.
3. Si el exterior no está dañado, pero tras la apertura se observan daños ocultos en el equipo, notifique al transportista. La notificación se debe realizar de manera verbal y por escrito.

4. Solicite que la empresa de transporte inspeccione el equipo dañado. Esto debe hacerse en el plazo de 10 días desde la recepción del equipo.
5. Cerciórese de revisar el alojamiento del compresor y de inspeccionar visualmente el conjunto refrigerante. Compruebe si los conductos están seguros y si la base sigue intacta.
6. Los transportistas pueden suministrar los formularios de notificación de daños si se solicitan.
7. Conserve todo el material de embalaje hasta que se haya realizado o descartado la inspección.

IMPORTANTE - LÉASE PRIMERO - IMPORTANTE

SU SEGURIDAD Y LA DE LOS DEMÁS SON MUY IMPORTANTES.

EN ESTE MANUAL Y EN EL EQUIPO ENCONTRARÁ NUMEROSOS MENSAJES DE SEGURIDAD IMPORTANTES. LEA Y CUMPLA SIEMPRE TODOS LOS MENSAJES DE SEGURIDAD.

LAS INSTRUCCIONES SOBRE NUESTROS PRODUCTOS SE CARGARÁN EN EL SITIO WEB OFICIAL DE NUESTRA EMPRESA.



ESTE ES EL SÍMBOLO DE ALERTA SOBRE SEGURIDAD. ESTE SÍMBOLO ALERTA DE RIESGOS POTENCIALES QUE PUEDEN PROVOCAR HERIDAS O MUERTE AL USUARIO O A OTRAS PERSONAS. TODOS LOS MENSAJES DE SEGURIDAD IRÁN SEGUIDOS DE LOS SÍMBOLOS DE ALERTA DE SEGURIDAD Y DE LAS PALABRAS "PELIGRO", "ADVERTENCIA" O "PRECAUCIÓN".

PELIGRO SIGNIFICA QUE EL INCUMPLIMIENTO DE ESTA INDICACIÓN DE SEGURIDAD PUEDE PROVOCAR LESIONES GRAVES O MUERTE.



ADVERTENCIA SIGNIFICA QUE SI NO SE TIENE EN CUENTA ESTE AVISO DE SEGURIDAD SE PUEDEN PRODUCIR DAÑOS IMPORTANTES EN EL PRODUCTO, LESIONES PERSONALES GRAVES O MUERTE.



PRECAUCIÓN SIGNIFICA QUE EL INCUMPLIMIENTO DE ESTA INDICACIÓN DE SEGURIDAD PUEDE PROVOCAR LESIONES PERSONALES LEVES O MODERADAS, O DAÑOS MATERIALES O EN EL EQUIPO.

TODOS LOS MENSAJES DE SEGURIDAD ALERTAN SOBRE CUÁL ES EL PELIGRO POTENCIAL, INDICAN CÓMO REDUCIR EL RIESGO DE LESIONES E INFORMAN DE LO QUE PUEDE OCURRIR SI NO SE SIGUEN LAS INSTRUCCIONES.

ADOpte MEDIDAS DE PRECAUCIÓN BÁSICAS, INCLUIDAS LAS SIGUIENTES:

NOTA: SI EL CABLE ELÉCTRICO SUFRE ALGÚN DAÑO, EL FABRICANTE, SU SERVICIO TÉCNICO O UN PROFESIONAL TENDRÁN QUE CAMBIARLO PARA EVITAR RIESGOS.

NOTA: ESTE EQUIPO NO ESTÁ DISEÑADO PARA QUE LO USEN PERSONAS (INCLUIDOS NIÑOS) CON DISCAPACIDAD FÍSICA, SENSORIAL O MENTAL, O CON EXPERIENCIA Y CONOCIMIENTO INSUFICIENTES, A MENOS QUE UNA PERSONA RESPONSABLE DE SU SEGURIDAD LAS SUPERVISE O INSTRUYA EN EL USO DEL EQUIPO.

NOTA: SE DEBE VIGILAR A LOS NIÑOS PARA IMPEDIR QUE JUEGUEN CON EL EQUIPO.

NOTA: ESTE EQUIPO PUEDEN UTILIZARLO NIÑOS DE MÁS DE 8 AÑOS Y PERSONAS CON CAPACIDADES FÍSICAS, SENSORIALES O MENTALES REDUCIDAS O QUE CAREZCAN DE EXPERIENCIA Y CONOCIMIENTOS SI SE LES SUPERVISA O SE LES INSTRUYE EN EL USO SEGURO DEL EQUIPO Y SI COMPRENDEN LOS RIESGOS QUE COMPORTA. LOS NIÑOS NO DEBEN JUGAR CON EL EQUIPO. LOS NIÑOS SIN SUPERVISIÓN NO DEBEN REALIZAR TAREAS DE LIMPIEZA Y MANTENIMIENTO.

NOTA: MANTENGA EL EQUIPO Y EL CABLE FUERA DEL ALCANCE DE NIÑOS MENORES DE 8 AÑOS.

NOTA: NO GUARDE EN EL EQUIPO SUSTANCIAS EXPLOSIVAS COMO AEROSOLÉS CON PROPELENTE INFLAMABLE.

NOTA: EL EQUIPO UTILIZA GAS INFLAMABLE DE AISLAMIENTO C5H10; LA ELIMINACIÓN DEL EQUIPO DEBE HACERSE DE ACUERDO CON LAS NORMAS DE LAS AUTORIDADES LOCALES.

NOTA: LA LLAVE DE LA CAJA ELÉCTRICA DEL EQUIPO DEBE GUARDARLA PERSONAL PROFESIONAL PARA EVITAR RIESGOS.

ADVERTENCIA: MANTENGA LIBRES DE OBSTRUCCIONES LAS ABERTURAS DE VENTILACIÓN DEL ALOJAMIENTO DEL EQUIPO O DE LA ESTRUCTURA EMPOTRADA.

ADVERTENCIA: NO UTILICE DISPOSITIVOS MECÁNICOS NI OTROS MEDIOS PARA ACELERAR EL PROCESO DE DESCONGELACIÓN, EXCEPTO LOS RECOMENDADOS POR EL FABRICANTE.

ADVERTENCIA: NO DAÑE EL CIRCUITO REFRIGERANTE.

ADVERTENCIA: NO UTILICE DISPOSITIVOS ELÉCTRICOS DENTRO DE LOS COMPARTIMIENTOS PARA ALIMENTOS DEL EQUIPO, SALVO SI SON DEL TIPO RECOMENDADO POR EL FABRICANTE. MANIPULACIÓN, TRASLADO Y USO DE LA NEVERA O CONGELADOR PARA EVITAR DAÑAR LOS TUBOS DE REFRIGERANTE O AUMENTAR EL RIESGO DE FUGAS.

PRECAUCIÓN: RIESGO DE INCENDIO O EXPLOSIÓN DEBIDO AL REFRIGERANTE INFLAMABLE UTILIZADO. SIGA ATENTAMENTE LAS INSTRUCCIONES DE MANIPULACIÓN DE CONFORMIDAD CON LA NORMATIVA DEL GOBIERNO DE EE.UU. LOS COMPONENTES DEBERÁN SUSTITUIRSE POR OTROS SIMILARES Y EL MANTENIMIENTO DEBERÁ REALIZARLO PERSONAL DE SERVICIO AUTORIZADO POR LA FÁBRICA, CON EL FIN DE MINIMIZAR EL RIESGO DE UNA POSIBLE IGNICIÓN DEBIDA A PIEZAS INCORRECTAS O A UN SERVICIO INADECUADO.

PRECAUCIÓN: RIESGO DE INCENDIO O EXPLOSIÓN DEBIDO A LA PERFORACIÓN DEL TUBO DE REFRIGERANTE; SIGA ATENTAMENTE LAS INSTRUCCIONES DE MANIPULACIÓN. SE UTILIZA REFRIGERANTE INFLAMABLE.

PELIGRO: RIESGO DE QUE NIÑOS QUEDEN ATRAPADOS. ANTES DE DESECHAR LA NEVERA O EL CONGELADOR ANTIGUO: EXTRAIGA LAS PUERTAS Y DEJE LOS ESTANTES EN SU SITIO PARA QUE LOS NIÑOS NO PUEDAN INTRODUCIRSE CON FACILIDAD.

INSTALACIÓN

NOTA: LAS REPARACIONES DE LA UNIDAD NO ESTARÁN CUBIERTAS POR LA GARANTÍA ESTÁNDAR SI LA AVERÍA SE DEBE A PROCEDIMIENTOS DE INSTALACIÓN INCORRECTOS.

PELIGRO: LA UNIDAD DEBE ESTAR APAGADA Y DESCONECTADA DE LA FUENTE DE ALIMENTACIÓN CUANDO SE LLEVEN A CABO TAREAS DE SERVICIO, MANTENIMIENTO O LIMPIEZA DE LA ZONA REFRIGERADA.

REQUISITOS DE LOS SERVICIOS DE SUMINISTRO Y CONEXIONES ELÉCTRICAS

Electricidad: 115 voltios CA, monofásica, 60 Hz. Se recomienda un circuito aparte de 15 A. Se incluye un cable de 9 pies (2,7 m) con toma de tierra.

Todos los modelos de enfriadores de cristal botellas se suministran en una caja. Es necesario seguir estos pasos:

1. Si se incluyen patas o ruedas, fíjelas a la base con los pernos suministrados.
2. Desenrolle el cable de alimentación de la base.
3. Coloque el enfriador de cristal y nivélelo o séllelo según sea necesario.
4. Si se incluyen estantes, instáelos.
5. Enchúfelo en una toma de 115 voltios CA.
6. Cargue los vasos, tazas, platos, etc.
7. Se recomienda una temperatura del entorno de trabajo de 41°F ~100°F/ 5 °C - 38 °C.

UBICACIÓN

Las unidades que se representan en este manual son exclusivamente para su uso en interior. Cerciórese de que la ubicación elegida tenga un piso lo bastante resistente para soportar el peso total del armario y su contenido. Una unidad totalmente cargada puede llegar a pesar 1500 libras (680 kg). Si es necesario, refuerce el piso para que resista una carga máxima. Para lograr la refrigeración más eficiente, debe haber buena circulación de aire dentro y fuera.

ARMARIO INTERNO

No cargue excesivamente la unidad hasta el punto en que impida la circulación de aire. El aire refrigerado se descarga por la parte superior trasera de la unidad. Es importante permitir que el aire circule adecuadamente desde la parte trasera a la base de la unidad. Las obstrucciones de ese flujo de aire pueden hacer que se congele el serpentín del evaporador y se pierda temperatura o se desborde el agua de la bandeja de desagüe del evaporador. El aire se introduce en el serpentín del evaporador con ventiladores. Evite las obstrucciones para permitir la salida o entrada del flujo de aire.

ARMARIO EXTERNO

Cerciórese de que la unidad tenga acceso a aire suficiente. Evite las esquinas calientes y la ubicación cerca de hornos y cocinas. Se recomienda que la unidad no se instale a menos de 2" (5 cm) de cualquier pared.

NIVELACIÓN

Un armario nivelado se ve bien y funciona mejor debido a que las puertas se alinearán correctamente con los marcos.

ESTABILIZACIÓN

Si, por cualquier motivo, fuera necesario poner la unidad de lado o boca arriba, espere al menos 24 horas antes de la puesta en marcha para permitir que el aceite del compresor fluya de nuevo a su sitio. El incumplimiento de este requisito puede provocar averías en el compresor y daños en la unidad.

CONEXIÓN ELÉCTRICA

Consulte los datos de amperaje, la etiqueta de serie, el código local o el Código eléctrico nacional para asegurarse de que la unidad esté conectada a la fuente de alimentación adecuada. Para la conexión del cable de alimentación o la conexión permanente a la unidad, debe haber un circuito protegido con el voltaje y el amperaje correctos.

FUNCIONAMIENTO

PRECAUCIÓN: NO ARROJE OBJETOS A LA ZONA DE ALMACENAMIENTO. EL INCUMPLIMIENTO DE ESTAS RECOMENDACIONES PUEDE DAR COMO RESULTADO DAÑOS EN EL INTERIOR DEL ARMARIO.

ARMARIOS REFRIGERADOS

Durante el ciclo de refrigeración, el controlador suministra energía a la unidad condensadora y a los motores del ventilador del evaporador. El ventilador del evaporador funcionará en cualquier momento cuando la temperatura del serpentín del evaporador sea inferior a 54 °F y se apagará durante el período de descongelación. La configuración de fábrica del rango de temperatura para el escarchador de vidrio es de -7 a -3 °F. La apertura y cierre continuo de la puerta impedirá que la unidad mantenga la temperatura de refrigeración óptima.

DESCONGELACIÓN

La unidad se apaga cada 6 horas para que el serpentín de evaporación se descongele. El controlador mostrará el símbolo de descongelación. Cuando el serpentín alcanza la temperatura terminal o al cabo de 20 minutos de descongelación, la unidad se enciende de nuevo.

TERMOSTATO DE ESTADO SÓLIDO DEL PANEL DE CONTROL



INSTRUCCIONES DEL PANEL FRONTAL

SET SET (ajuste): Para ver el ajuste de referencia objetivo; en el modo de programación permite elegir un parámetro o confirmar una operación.



DEF (descongelación): Para iniciar la descongelación manual



ARRIBA: Para ver la temperatura máxima de almacenamiento; en el modo de programación, permite examinar los códigos de parámetros o aumentar el valor en pantalla.



ABAJO: Para ver la temperatura mínima de almacenamiento; en el modo de programación, permite examinar los códigos de parámetros o reducir el valor en pantalla.



Para apagar el equipo, si onF = OFF.



No activado

Combinaciones de teclas:

▲ + ▼ Permite bloquear y desbloquear el teclado

SET + ▼ Permite acceder al modo de programación

SET + ▲ Permite volver a la pantalla de temperatura ambiente

LED	MODOS	FUNCIÓN
	Encendido	Compresor activado
	Parpadeo	Retardo de ciclo anticortocircuito activado
	Encendido	Descongelación activada
	Parpadeo	Tiempo de goteo en curso
	Encendido	Ventiladores activados
	Parpadeo	Retardo de ventiladores tras la descongelación en curso
	Encendido	Hay una alarma en curso
	Encendido	Ciclo continuo en marcha
	Encendido	Ahorro de energía activado
°C/°F	Encendido	Unidad de medida
°C/°F	Parpadeo	Fase de programación

GRABACION EN MEMORIA DE LAS TEMPERATURAS MÁXIMA Y MÍNIMA

Para ver la temperatura MÍNIMA:

1. Presione y suelte la tecla ▼.
2. Aparece el mensaje "Lo" seguido de la temperatura mínima registrada.
3. Al presionar de nuevo la tecla ▼ o esperar 5 segundos se restablece la visualización normal.

Para ver la temperatura MÁXIMA:

1. Presione y suelte la tecla ▲.
2. Aparece el mensaje "Hi" seguido de la temperatura máxima registrada.
3. Al presionar de nuevo la tecla ▲ o esperar 5 segundos se restablece la visualización normal.

Para restablecer las temperaturas MÁXIMA y MÍNIMA registradas:

1. Mantenga presionada la tecla SET durante más de 3 segundos, mientras se muestran las temperaturas máxima y mínima (se muestra el mensaje rST)
2. Para confirmar la operación, el mensaje "rST" empieza a parpadear y se muestra la temperatura normal.

PRINCIPALES FUNCIONES


Para ver el ajuste de referencia:

1. Presione y suelte de inmediato la tecla SET (ajuste); la pantalla muestra el ajuste de referencia.
2. Presione y suelte de inmediato la tecla SET o espere 5 segundos para que se vuelva a mostrar el valor de la sonda.

Para cambiar el ajuste de referencia:

1. Presione la tecla SET durante más de 2 segundos para cambiar el valor del ajuste de referencia
2. Se muestra el valor del ajuste de referencia y el LED "°C" o "°F" empieza a parpadear.
3. Para cambiar el ajuste de referencia, presione la tecla ▲ o ▼ en un plazo de 10 segundos.
4. Para guardar en memoria el nuevo ajuste de referencia, vuelva a presionar la tecla SET o espere 10 segundos.

Para iniciar una descongelación manual:

1. Presione la tecla DEF () durante más de 2 segundos y se iniciará la descongelación manual.

Para cambiar un valor de parámetro:

Si desea cambiar el valor del parámetro realice lo siguiente:

1. Para acceder al modo de programación presione las teclas **SET + ▼** durante más de 3 segundos (el LED "oC" o "oF" empieza a parpadear).
2. Seleccione el parámetro que desee. Pulse la tecla **SET** para seleccionar su valor.
3. Utilice **▲** o **▼** para cambiar su valor.
4. Presione la tecla **SET** para almacenar el nuevo valor y pasar al siguiente parámetro.

Para salir: Presione **SET + ▲** o espere 15 segundos sin presionar ninguna tecla.

Nota: El valor fijado se almacena incluso cuando se sale del procedimiento, esperando a que transcurra el tiempo de espera.

Para bloquear el teclado:

1. Mantenga presionadas durante más de 3 segundos las teclas **▲ + ▼**.
2. Aparece el mensaje "POF" y se bloquea el teclado. En ese momento solo es posible ver el ajuste de referencia o la temperatura MÁXIMA o MÍNIMA almacenada.
3. Si se presiona una tecla durante más de 3 segundos, se muestra el mensaje "POF".



Para desbloquear el teclado:

1. Mantenga presionadas durante más de 3 segundos las teclas **▲** y **▼**, hasta que se muestre el mensaje "Pon".

El ciclo continuo:

Cuando la descongelación no está en curso, puede activarse manteniendo presionada la tecla **▲** durante unos 3 segundos. El compresor funciona para mantener el ajuste de referencia "ccS" durante el tiempo fijado con el parámetro "CCt". El ciclo puede finalizarse antes de que acabe el tiempo fijado utilizando la misma tecla de activación **▲** durante 3 segundos.

Las funciones de encendido/apagado:

Con "onF = oFF", al pulsar la tecla **ON/OFF**  se apaga el equipo. Aparece el mensaje "oFF". En esta configuración, la regulación está desactivada. Para encender el equipo, pulse de nuevo la tecla  **ON/OFF**.

ADVERTENCIA: Las cargas conectadas a los contactos normalmente cerrados de los relés están siempre alimentadas y bajo tensión, aunque el equipo esté en modo de espera.

SEÑALES DE ALARMA

MENSAJE	CAUSA	SALIDAS
"P1"	Sonda ambiente defectuosa	Salida de compresor de acuerdo con los parámetros "Con" y "COF"
"P2"	Fallo de sonda del evaporador	Final de descongelación temporizado
"HA"	Alarma de temperatura máxima	Salidas sin cambios
"LA"	Alarma de temperatura mínima	Salidas sin cambios
"HA2"	Alta temperatura del condensador	Depende del parámetro "Ac2"
"LA2"	Baja temperatura del condensador	Depende del parámetro "bLL"
"dA"	Puerta abierta	Reinicio de compresor y ventiladores
"EA"	Alarma externa	Salida sin cambios
"CA"	Alarma externa grave (i1F=bAL)	Todas las salidas desactivadas
"CA"	Alarma de presostato (i1F=PAL)	Todas las salidas desactivadas

Para ver la alarma y restablecer la alarma registrada:

1. Presione la tecla **▲** o **▼** para mostrar las señales de alarma.
2. Cuando se muestre la señal, mantenga la tecla SET pulsada hasta que aparezca el mensaje "rst". Vuelva a pulsar la tecla SET. El mensaje "rst" empieza a parpadear y se muestra otra vez la temperatura normal.

Recuperación de alarmas:

Las alarmas de sonda "P1" y "P2" comienzan unos segundos después de la falla de la sonda relacionada; se detienen automáticamente unos segundos después de que la sonda reinicie su funcionamiento normal. Compruebe las conexiones antes de sustituir la sonda.

Las alarmas de temperatura "HA", "LA", "HA2" y "LA2" se detienen automáticamente en cuanto la temperatura vuelve a los valores normales.

Las alarmas "EA" y "CA" (con i1F=bAL) se recuperan en cuanto se desactiva la entrada digital.

La alarma "CA" (con i1F=PAL) solo se recupera tras **apagar y encender** el equipo.

Otros mensajes:

CÓDIGO	DESCRIPCIÓN
Pon	Teclado desbloqueado
PoF	Teclado bloqueado
noP	En modo programación: no hay parámetros presentes en Pr1 En la pantalla o en dP2, dP3, dP4: la sonda seleccionada no está activada
noA	No se registran alarmas

MANTENIMIENTO

PELIGRO:	EL INTERRUPTOR DEBE ESTAR EN POSICIÓN DE APAGADO Y LA UNIDAD DESCONECTADA DE LA FUENTE DE ALIMENTACIÓN CUANDO SE LLEVEN A CABO TAREAS DE SERVICIO, MANTENIMIENTO O LIMPIEZA DE LA ZONA REFRIGERADA.
PELIGRO:	NO UTILICE AGUA A ALTA PRESIÓN PARA ESTE PROCEDIMIENTO DE LIMPIEZA, YA QUE EL AGUA PUEDE DAÑAR LOS COMPONENTES ELÉCTRICOS UBICADOS EN EL SERPENTÍN DEL CONDENSADOR O CERCA DE ÉL.
PELIGRO:	NO UTILICE ESTROPAJOS DE ACERO, CEPILLOS DE ALAMBRE NI RASCADORES.
PRECAUCIÓN:	NO UTILICE NUNCA SOLUCIONES DE LIMPIEZA ÁCIDAS. MUCHOS PRODUCTOS ALIMENTICIOS TIENEN UN CONTENIDO ÁCIDO QUE PUEDE DETERIORAR EL ACABADO. ASEGÚRESE DE ELIMINAR TODOS LOS PRODUCTOS ALIMENTICIOS DE LAS SUPERFICIES DE ACERO INOXIDABLE.

NEVERAS Y CONGELADORES

El interior y el exterior se pueden limpiar con jabón y agua templada. Si no es suficiente, pruebe con amoníaco y agua o con un limpiador líquido no abrasivo. Al limpiar el exterior, frote siempre en el sentido del "grano" del acero inoxidable para no dañar el acabado.

No utilice limpiador abrasivo porque rayará el acero inoxidable y el plástico y puede dañar las franjas y juntas del interruptor.

LIMPIEZA DEL SERPENTÍN DEL CONDENSADOR

El serpentín del condensador requiere una limpieza periódica y se recomienda realizarla cada 90 días. En algunos casos, puede notar una gran cantidad de desechos y polvo o grasa acumulados antes de que se cumpla el plazo de 90 días. Si esto sucede, el serpentín del condensador se debe limpiar cada 30 días.

Si la acumulación en el serpentín es solo de polvo y desechos ligeros, puede limpiar el serpentín con un simple cepillo. Las acumulaciones de polvo más densas pueden requerir el uso de una aspiradora o incluso de aire comprimido para soplar a través del serpentín del condensador.

Si observa la presencia de grasa densa, hay disponibles agentes desengrasantes para refrigeración y, específicamente, para serpentines de condensador. Puede ser necesario limpiar el serpentín del condensador con agente desengrasante y después soplar con aire comprimido.

En principio, si el serpentín del condensador no se mantiene limpio, pueden provocarse temperaturas elevadas y tiempos de funcionamiento excesivos. El funcionamiento constante con serpentines de condensador sucios o atascados puede provocar la avería del compresor. El incumplimiento de los procedimientos de limpieza del serpentín del condensador implicará la anulación de la garantía relacionada con el compresor o con el costo de su sustitución.

Para mantener un desempeño adecuado de la refrigeración, las aletas del condensador deben limpiarse de polvo, suciedad o grasa de manera periódica. Se recomienda hacerlo al menos cada tres meses. Si las condiciones son tales que el condensador se bloquea totalmente en tres meses, debe incrementarse la frecuencia de la limpieza. Limpie el motor con una aspiradora o con un cepillo rígido. Si está demasiado sucio, puede ser necesario usar un limpiador comercial de condensadores.

CUIDADO Y LIMPIEZA DEL ACERO INOXIDABLE

Para evitar la decoloración causada por el óxido en el acero inoxidable, es necesario llevar a cabo varios pasos importantes. Primero, es esencial conocer las propiedades del acero inoxidable. El acero inoxidable contiene de 70 a 80% de hierro, que es oxidable. También contiene de 12 a 30% de cromo, que forma una película pasiva e invisible sobre la superficie del acero y actúa como barrera contra la corrosión. Mientras que la capa protectora se mantenga intacta, el metal seguirá siendo inoxidable. Si la película se rompe o se contamina, los elementos externos pueden empezar a descomponer el acero y a formar óxido y decoloración.

La limpieza adecuada del acero inoxidable requiere paños suaves o estropajos de plástico. Las soluciones de limpieza deben tener una base alcalina o no clorada. Cualquier limpiador que contenga cloruros dañará la película protectora

del acero inoxidable. Los cloruros también suelen encontrarse en el agua dura, sales y limpiadores domésticos e industriales. Si utiliza limpiadores que contengan cloruros, asegúrese de enjuagar y de secar por completo.

La limpieza habitual del acero inoxidable puede efectuarse con jabón y agua. Las manchas o grasas resistentes deben limpiarse con un limpiador no abrasivo o con un estropajo plástico. Siempre es recomendable frotar a favor del grano del acero. También hay disponibles limpiadores de acero inoxidable que pueden restaurar y conservar el acabado de la capa protectora del acero.

Las primeras señales de descomposición del acero inoxidable consisten en pequeñas picaduras y grietas. Si el proceso ya se ha iniciado, limpie a fondo y empiece a aplicar limpiadores de acero inoxidable para intentar restaurar la pasividad del acero.

MANTENIMIENTO DE LAS JUNTAS

Las juntas requieren limpieza periódica para evitar la formación de moho y para mantener su elasticidad. La junta puede limpiarse con agua jabonosa templada. No utilice productos de limpieza fuertes en las juntas, ya que pueden volverlas quebradizas e impedir un sellado eficiente. No utilice herramientas o cuchillas afiladas para raspar o limpiar la junta, ya que podría romperla y rasgar el fuelle.

Las juntas pueden sustituirse fácilmente y no requieren el uso de herramientas ni la intervención de técnicos autorizados. Las juntas son de tipo "dardo" y pueden retirarse de la ranura de la puerta y sustituirse presionando las juntas nuevas en su posición.

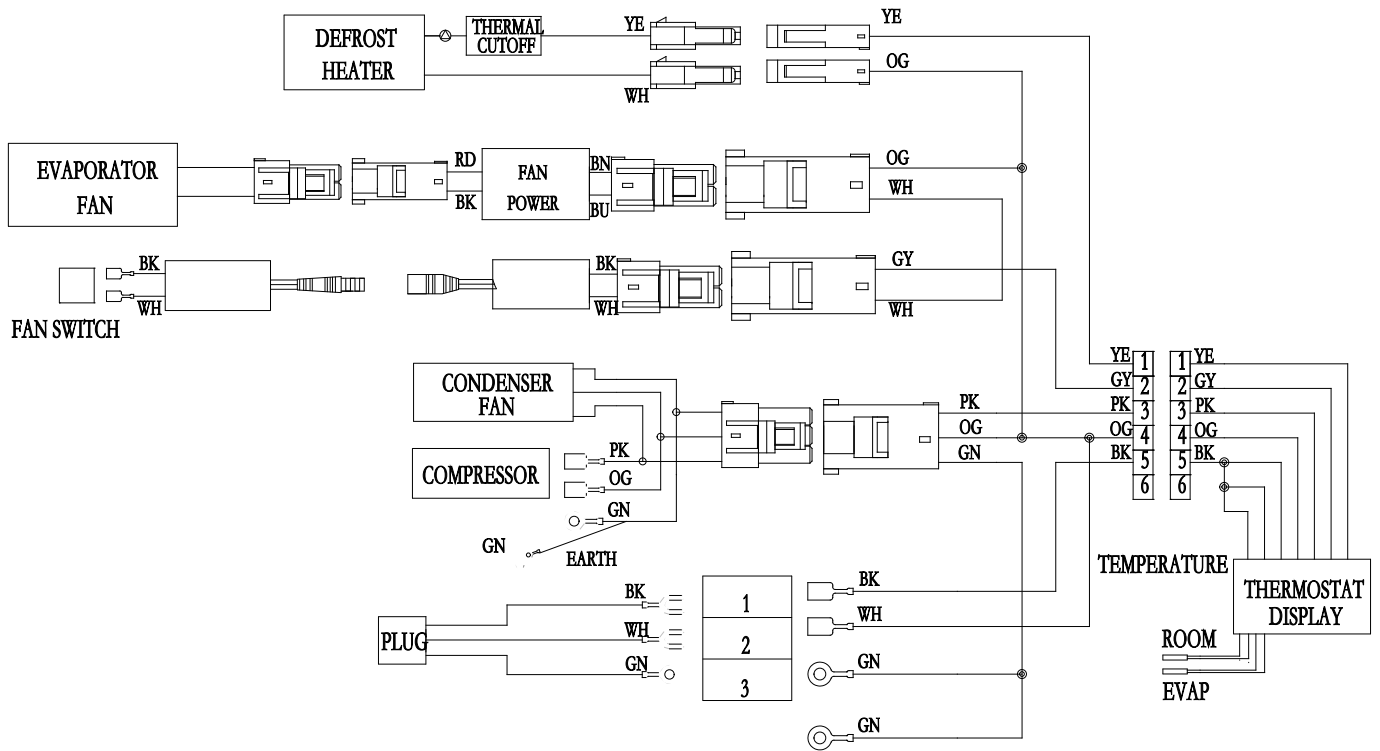
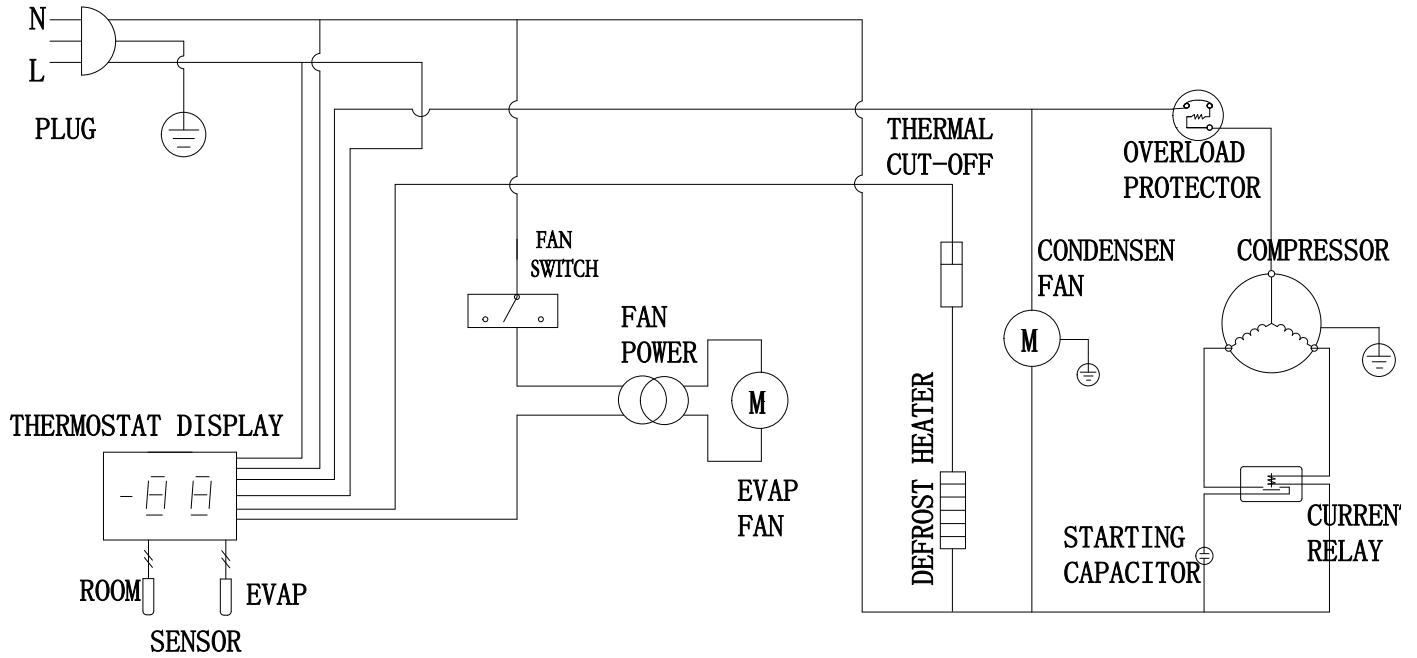
PUERTAS/BISAGRAS

Con el paso del tiempo y el uso intensivo, las bisagras de las puertas pueden aflojarse. Si la puerta empieza a descajarse, apriete los tornillos que fijan los soportes de la bisagra al marco de la unidad. Si las puertas están sueltas o combadas, la bisagra puede salirse del marco, lo que puede dañar tanto las puertas como las bisagras.

MANTENIMIENTO DEL DESAGÜE

Cada unidad tiene un desagüe dentro que elimina la condensación del serpentín del evaporador y la dirige hacia un colector externo del condensado. El desagüe puede aflojarse o desconectarse si se mueve o golpea. Si observa una acumulación excesiva de agua en el interior de la unidad, asegúrese de que el tubo de desagüe esté conectado desde el alojamiento del evaporador al colector de desagüe del evaporador de condensado. Si empieza a acumularse agua debajo de la unidad, quizá deba verificar que el tubo de desagüe del evaporador de condensado siga situado dentro del colector de desagüe. La nivelación de la unidad es importante, ya que las unidades están diseñadas para desaguar correctamente en una superficie nivelada. Si el piso no está nivelado, también puede haber problemas de desagüe. Asegúrese de que todos los conductos de desagüe estén libres de obstrucciones, ya que podrían ocasionar el retorno del agua y el desbordamiento de los colectores de desagüe.

Diagrama de cableado



GARANTÍA

El equipo cuenta con **garantía limitada de tres (3) años**. Desde la fecha original de compra y durante un periodo de tres (3) años, Electrolux Professional, Inc. correrá con todos los gastos, excepto los indicados más abajo, de reparación o sustitución de las piezas de este equipo que muestren desperfectos de materiales o mano de obra en el momento de la instalación, uso o mantenimiento, de acuerdo con las instrucciones suministradas. Los equipos fabricados con compresor tienen una garantía adicional de dos (2) años que solo se aplica al compresor.

EXCLUSIONES

ESTA GARANTÍA NO CUBRE LO SIGUIENTE:

1. Productos en los que el número de serie original se ha eliminado, alterado o no pueda observarse con facilidad.
2. Desgaste normal y deterioro gradual.
3. Producto que ha sido transferido de su propietario original a otra parte o trasladado fuera de EE.UU. o Canadá.
4. Óxido en el interior o el exterior de la unidad.
5. Productos adquiridos "tal cual".
6. Pérdidas de alimentos debidas a desperfectos de nevera o congelador.
7. Daños sufridos en cualquier momento del transporte.
8. Llamadas al servicio técnico que no se refieran a desperfectos o defectos de material o elaboración, o respecto a equipos utilizados de un modo distinto al indicado en las instrucciones suministradas.
9. Llamadas al servicio técnico para corregir la instalación del equipo o para solicitar instrucciones de uso.
10. Gastos para hacer accesible el equipo para su mantenimiento, como la retirada de molduras, armarios, estantes, etc., que no formen parte del equipo cuando se envía de fábrica.
11. Llamadas al servicio técnico para sustituir lámparas, filtros de aire, filtros de agua y otros consumibles, o perillas, asas u otras piezas ornamentales.
12. Recargos derivados, entre otras cosas, de trabajo en horas extra, fin de semana o festivos, peajes, trasbordos o kilometraje por llamadas al servicio técnico desde zonas alejadas, incluido el Estado de Alaska.
13. Daños ocasionados al acabado del equipo o a su ubicación producidos durante la instalación, entre otros, a pisos, armarios, paredes, etc.
14. Daños provocados por: servicios realizados por empresas de servicios no autorizadas; uso de repuestos que no sean originales de Electrolux Professional, Inc. o repuestos obtenidos de personas que no sean empresas de servicios autorizadas; o causas externas como uso incorrecto o indebido, alimentación eléctrica inadecuada, accidentes, incendios o desastres naturales.
15. Los equipos utilizados por concesionarios o distribuidores en un remolque u otro vehículo motorizado, o en distintas ubicaciones, tienen garantía de un (1) año con limitación de piezas y mano de obra. Los equipos fabricados con compresor tienen una garantía adicional de cuatro (4) años que solo se aplica al compresor.

EXCLUSIÓN DE GARANTÍAS IMPLÍCITAS; LIMITACIÓN DE RECURSOS

EL ÚNICO Y EXCLUSIVO RECURSO DEL CLIENTE SEGÚN LOS TÉRMINOS DE ESTA GARANTÍA LIMITADA SERÁ LA REPARACIÓN O SUSTITUCIÓN DEL PRODUCTO SEGÚN SE ESTIPULA EN EL PRESENTE DOCUMENTO. LAS RECLAMACIONES BASADAS EN GARANTÍAS IMPLÍCITAS, INCLUIDAS LAS GARANTÍAS DE COMERCIABILIDAD O DE IDONEIDAD PARA UN FIN DETERMINADO, ESTÁN LIMITADAS A UN (1) AÑO O AL PERÍODO MÁS CORTO PERMITIDO POR LEY, AUNQUE NO INFERIOR A UN (1) AÑO. ELECTROLUX PROFESSIONAL, INC. NO SERÁ RESPONSABLE DE DAÑOS CONSECUENTES O FORTUITOS COMO DAÑOS A LA PROPIEDAD Y GASTOS OCASIONALES DERIVADOS DE CUALQUIER INCUMPLIMIENTO DE ESTA GARANTÍA LIMITADA ESCRITA O DE CUALQUIER GARANTÍA IMPLÍCITA. ALGUNOS ESTADOS Y PROVINCIAS NO PERMITEN LA EXCLUSIÓN O LIMITACIÓN DE DAÑOS ACCIDENTALES O DERIVADOS NI LIMITACIONES ACERCA DE LA DURACIÓN DE LA GARANTÍA IMPLÍCITA, DE MODO QUE ES POSIBLE QUE LAS LIMITACIONES O EXCLUSIONES ARRIBA MENCIONADAS NO SE APLIQUEN A SU CASO. ESTA GARANTÍA ESCRITA LE OTORGA DERECHOS LEGALES ESPECÍFICOS. ES POSIBLE QUE TAMBIÉN DISFRUTE DE OTROS DERECHOS QUE VARIÉN DE UNA JURISDICCIÓN A OTRA.

Si necesita servicio

Para obtener servicio, la unidad debe registrarse primero en KelvinatorCommercial.com. Una vez registrada, llame al 866-339-8515 para solicitar asistencia.

Esta garantía sólo se aplica en EE.UU. y Canadá y está garantizada por **Electrolux Professional, Inc.** Para instalaciones fuera de EE. UU. y Canadá, comuníquese con su proveedor de equipos local para conocer los detalles de la garantía.

Electrolux Professional, Inc. no autoriza a persona alguna a cambiar o añadir obligaciones a esta garantía. Las obligaciones de servicio y repuestos impuestas por esta garantía debe satisfacerlas Electrolux Professional, Inc. o una empresa de servicios autorizada. Las características o especificaciones que se describen o ilustran están sujetas a cambios sin previo aviso.

(Noviembre de 2023)

866-339-8515

Electrolux Professional, Inc.

