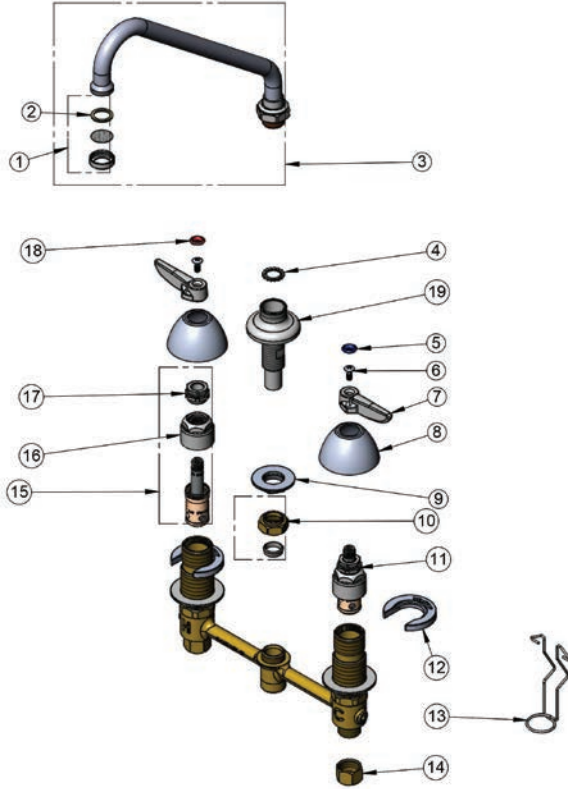
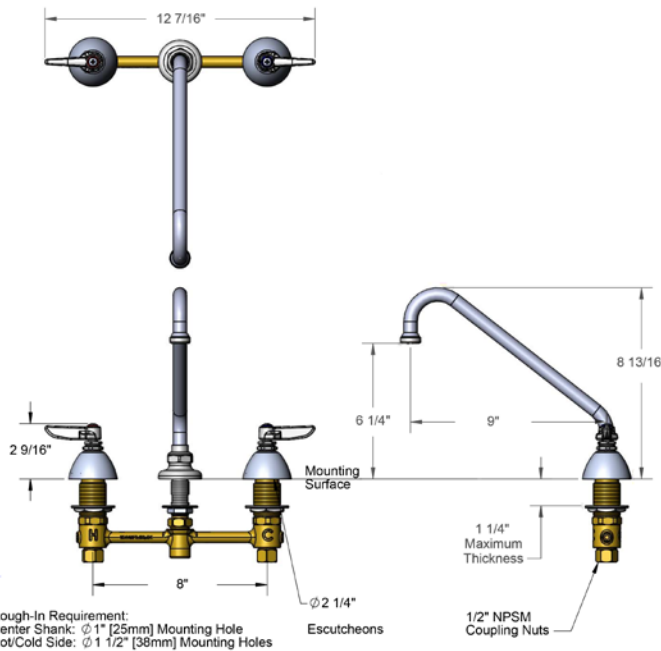


# FAUCET PARTS - EXPLODED VIEW

## Model: K-133



| Item # | Sales #   | Description                         |
|--------|-----------|-------------------------------------|
| 1      | B-PT      | Stream Regulator Outlet             |
| 2      | 001048-45 | Nozzle Tip Washer                   |
| 3      | 166X      | 9" Swing Nozzle                     |
| 4      | 014200-45 | Star Washer, Anti-Rotation          |
| 5      | 001660-45 | Blue Index-CW                       |
| 6      | 000922-45 | Lever Handle Screw                  |
| 7      | 001638-45 | Lever Handle                        |
| 8      | 001257-40 | Bell Escutcheon                     |
| 9      | 016742-45 | Center Flange Nut                   |
| 10     | 016745-45 | Compression Nut & Fitting           |
| 11     | 016752-40 | EasyInstall CWS LTC Eterna (Teflon) |
| 12     | 016749-45 | Sidebody C-Washer                   |
| 13     | 016777-45 | CWS Hanger                          |
| 14     | 000958-20 | Coupling Nut                        |
| 15     | 016753-40 | EasyInstall CWS RTC Eterna (Teflon) |
| 16     | 001661-45 | Red Index - HW                      |
| 17     | 009002-25 | Packing Nut                         |
| 18     | 001661-45 | Red Index-HW                        |
| 19     | 016754-40 | EasyInstall CWS Swivel Center Shank |



017245-40  
 Installation Repair Kit  
 Includes #9, (2)#12, & #13



**WARNING:** Faucets on this page may expose you to chemicals, including lead, that are known to the State of California to cause cancer or birth defects or other reproductive harm. For more Info., visit [www.p65warnings.ca.gov](http://www.p65warnings.ca.gov).