

HOTEL DISPENSER Product Manual

MODEL : ID – H250 – 30
ID – H150 – 22

- ※ This machine cannot be used in any other country where the electric voltage for its power supply is not available.
- ※ This product is designed for indoor installation. Please be sure to install it indoors.
- ※ The external appearance, design, color, and/or components of this machine may be changed without prior notice for the sake of the Company's product manufacture.
- ※ Please read the preparations for safety.
- ※ For maximum hygiene, be sure to clean and sterilize the product on a daily basis

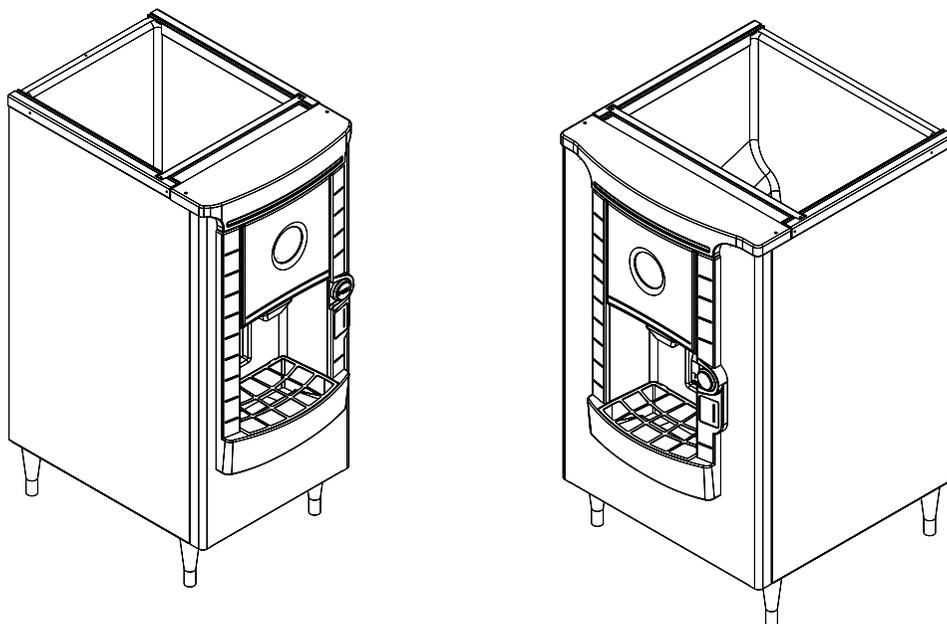


Table of Contents

This product manual provides the user with information on installation, use and cleaning, maintenance and repair methods..

1. Precautions for Safety	3~7
2. Introduction of Product	8
3. Specifications and Limitations	8
4. Product Size and Description	9
5. Structural Description	10
6. Unpacking	11
7. Plumbing Installation	12
8. Electrical and Ice Maker Connection	13
9. Final Installation Inspection and Initial Operation	14
10. How to Use	15
11. General Care and Cleaning Methods	16~17
12. Maintenance	18
13. Control Function	19
14. Service Diagnosis	20

1. Safety Precautions

 Warning	When there is a risk of causing physical problems such as death or serious injury in the event of improper use.
 Caution	When injury or damage to property such as house or furniture may occur in the event of improper use.



SHOULD BE DONE



PROHIBITION



DO NOT
DISASSEMBLE



DO NOT
TOUCH



DISCONNECT
POWER PLUG

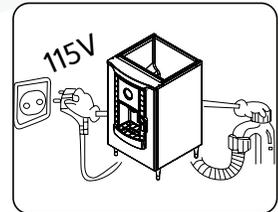


GROUNDED

Warning

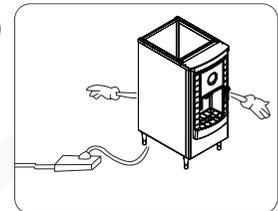
115V should be used.

This ice maker was produced exclusively for 115V.



Use a single receptacle for the ice machine.

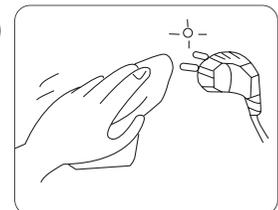
- ◆ An electrical fire may be caused by a receptacle holding more than one item.
- ◆ Do not use an adapter or an extension cord.



Clean the plug

Clean the plug if covered in foreign material or dust etc. with a clean, dry towel.

- ◆ A fire may occur if plug is not cleaned.

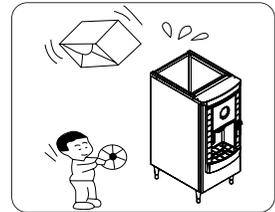




Warning

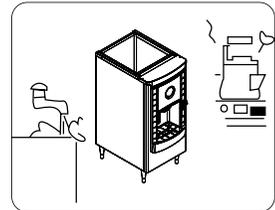
Do not place heavy objects or containers containing water on the ice maker.

- ◆ The objects or containers may fall and cause water to leak and the insulation may be weakened, resulting in a fire due to a short circuit.



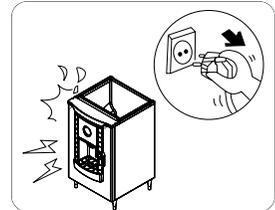
Do not install the product in a humid place or where there is a risk of water splashing.

- ◆ Insulation may be weakened, resulting in short circuit, electric shock, or fire.



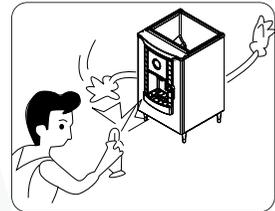
Do not use
If the product malfunctions, such as smoke or burning smell, unplug the power cord to stop operation.

- ◆ If you continue operating in abnormal conditions, there is a risk of fire or electric shock.



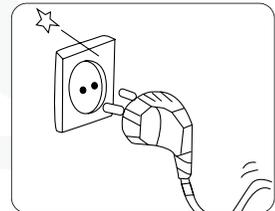
Do not use
Do not use flammable spray around the ice maker.

- ◆ Risk of explosion or fire.



Do not use
Do not use if the outlet is loose or has a problem.

- ◆ There is a risk of fire due to electric shock or short circuit.



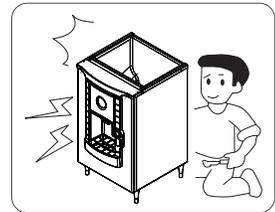


Warning

Disassembly forbidden

Do not modify or repair the product yourself.

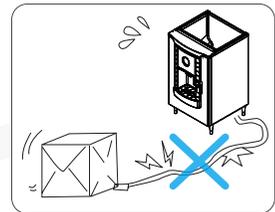
- ◆ Ignition or abnormal operation is dangerous and may cause more trouble.



Prohibition

Do not allow electrical cords or plugs to be pinched or twisted.

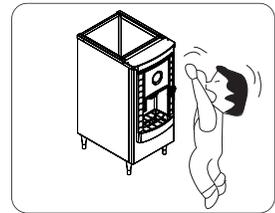
- ◆ The cord or plug may be peeled and there is a risk of fire or electric shock.
- ◆ If the cord or plug is peeled or damaged, be sure to ask the service to replace it.



Prohibition

Do not let children hang on the product.

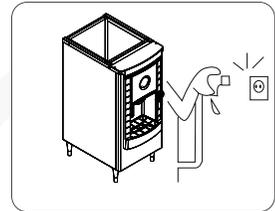
- ◆ There is a danger of the ice maker twitching or falling, resulting in injury.
- ◆ In particular, please do not let children hang on the reservoir not fixed to the product



Do not touch

Do not touch or pull on the power plug with wet hands.

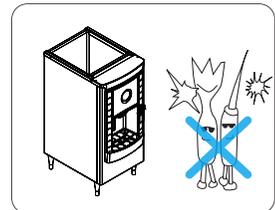
- ◆ There is a danger of electric shock.



Do not touch

Do not damage the inside of the ice maker with a sharp tool.

- ◆ The ice reservoir may break or become damaged.

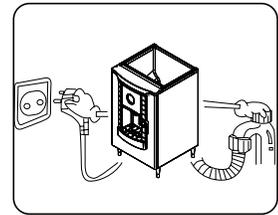




Warning

Disconnect power plug

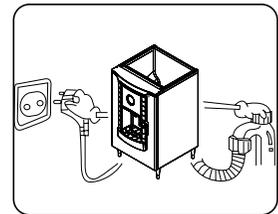
When not in use for a long time, remove ice and water (to prevent winter frost), and unplug the power cord from the outlet.



Disconnect power plug

When cleaning dust or replacing parts, unplug the power plug first.

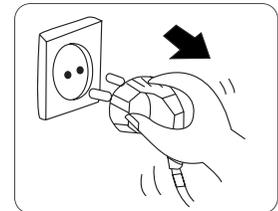
◆ It may cause electric shock or fire.



Disconnect power plug

When unplugging, grasp the plug body and remove it

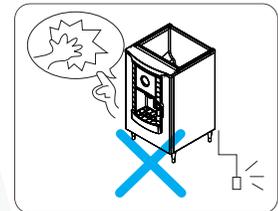
◆ It may cause fire or spark when unplugged by plug wire or driver.



Grounded

Please be sure to ground.

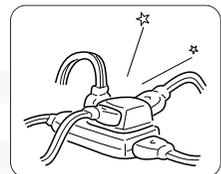
◆ There is a risk of machine failure or electric shock due to short circuit.



About the power strip

When using multi-tap, please use 115V, 10A or more.

◆ Do not plug in multiple plugs at the same time.
Connecting multiple plugs to a power strip will cause a fire.



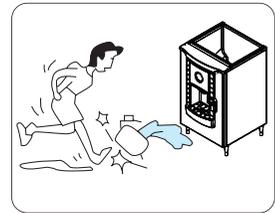


Caution

Caution

If there is a risk of slippery water or oil on the floor near the ice maker, please wipe it.

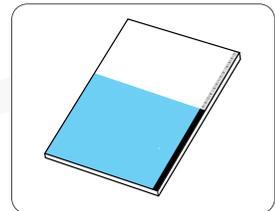
- ◆ There is a risk of injury if you slip on the ice maker or get hands or feet in the bottom of the side.



Hand over

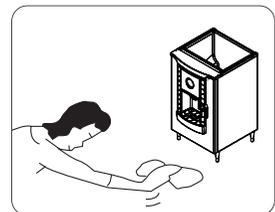
When transferring this ice maker to another person, please hand it along with the instruction manual

- ◆ New users need a manual for safe use.



Do not put your hands or feet on the bottom of the ice maker.

- ◆ There is a risk of injury to sharp parts other than the iron plate and screws on the bottom of the ice maker.



2. Introduction of Product

ID-H250-30 / ID-H150-22 is a hotel ice dispenser. This dispenser is designed for use with the ICETRO ice maker IM SERIES on top.

REGULAR , DICE , HALF shaped ice cubes are used as the ice source. It is not recommended to use thin ice or nugget ice.

Ice from the ice maker falls into a bin, where it is stored until needed. When the user presses the button, the shutter opens and turns the wheel inside the storage bin to pump ice up to the outlet at the top of the front of the storage bin.

Ice maker model used	Appropriate model
IM-0350/0460/0550	ID-H150-22
IM-0350/0460/0550/0750	ID-H250-30

3. Specifications and Limitations

This device is designed to be installed and operated indoors in the specified environment.

The operating temperature is the same as the operating temperature of the ice maker. (Operating temperature 50 ~ 100F / Operating voltage 115)

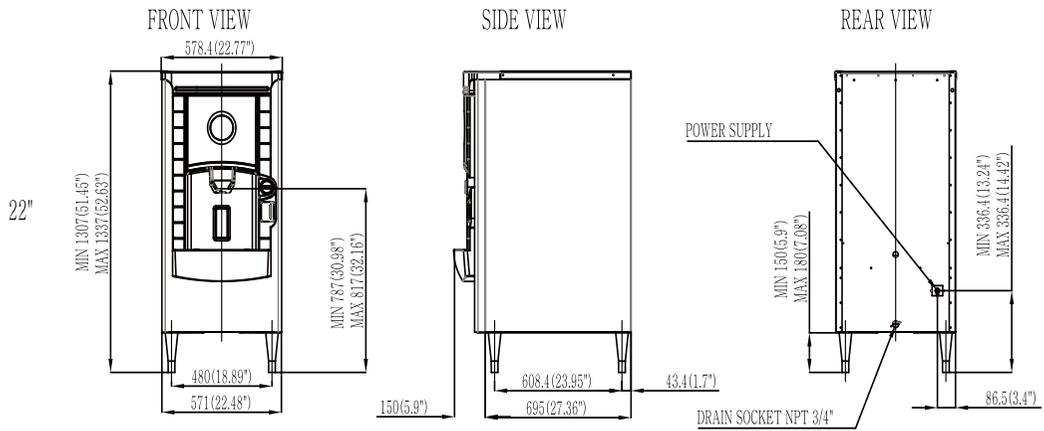
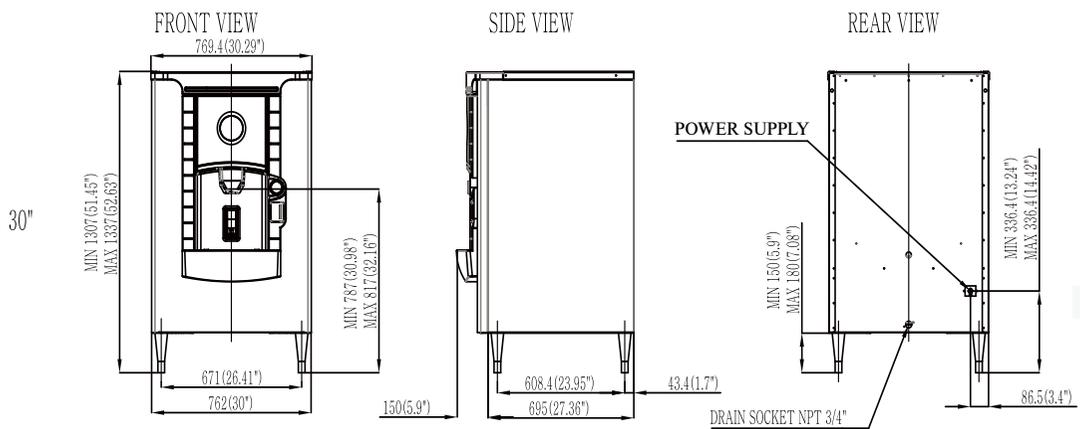
Check the nameplate on the side of the cabinet for specific information.

Specifications and designs are subject to change without notice by ICETRO.

If the product is modified by using parts not specified by ICETRO, we cannot take any responsibility for the product.

The basic configuration is configured so that ice comes out when the button is pressed, and ice continues to be sold while the button is pressed.

4. Product Size and Description



5. Structural Description

The interior is made of hygienic plastic, and the storage bin has a 13-blade pedal wheel and a stainless steel arm that agitates the ice.

There is a separate small door that can be removed on the top front of the storage bin, so you can clean the inside of the storage bin without removing the ice maker, and the inner pedal paddle and steel arm can be removed.

When the button is pressed, the ice opening solenoid is activated, and the drive motor is immediately activated, and the paddle wheel and steel arm rotate.

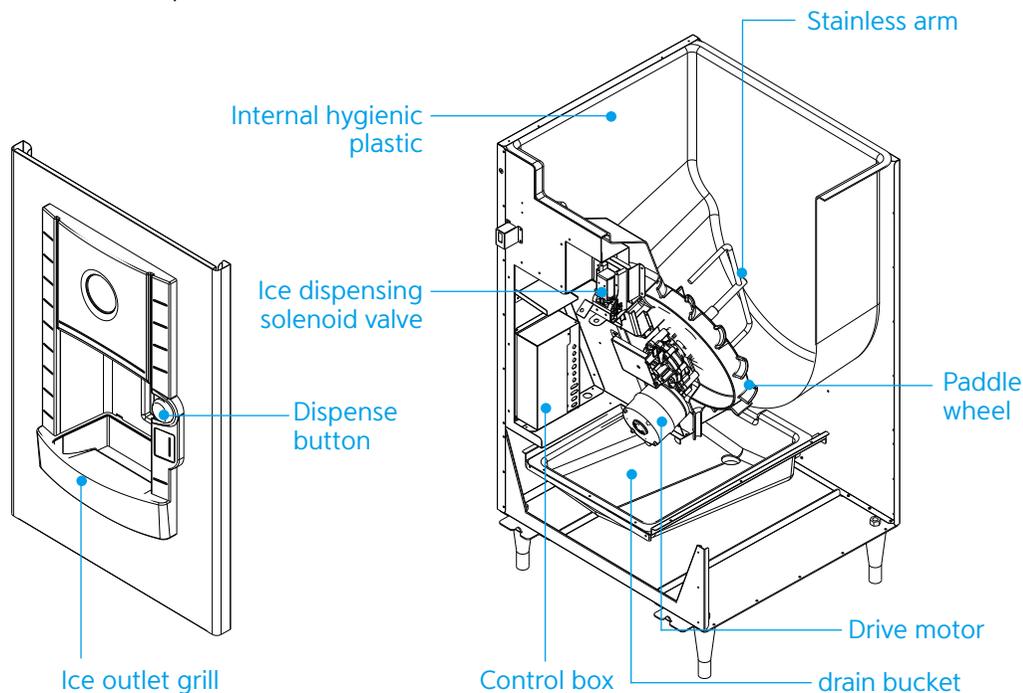
The drive motor automatically rotates for 2 seconds every 4 hours by the control box to prevent ice from sticking together.

Ice is delivered to the top end of the ice outlet by the paddle wheel and slides down the outlet to the consumer.

The container is placed on the grill, the grill hole is on the ice drain pail and spilled ice goes to the drain pail. Ice can be stored in case the ice is spilled while dispensing.

When the button is released, the solenoid door closes and the ice dispensing stops automatically. The remaining ice from the drain pail is eventually sent to the drain through a hose attached to the bottom of the drain pail.

The side and outer panels are made of corrosion-resistant stainless steel, and the sales part and upper part are made of plastic.



6.Unpacking

After removing the packaging, check the control foot packaging in the storage container. Install the product by inserting the bolt part of the control foot all the way to the bottom of the product. Turn the control foot so that the product is level and fix the installation position.

Check where the drain line and electrical connections can be made.

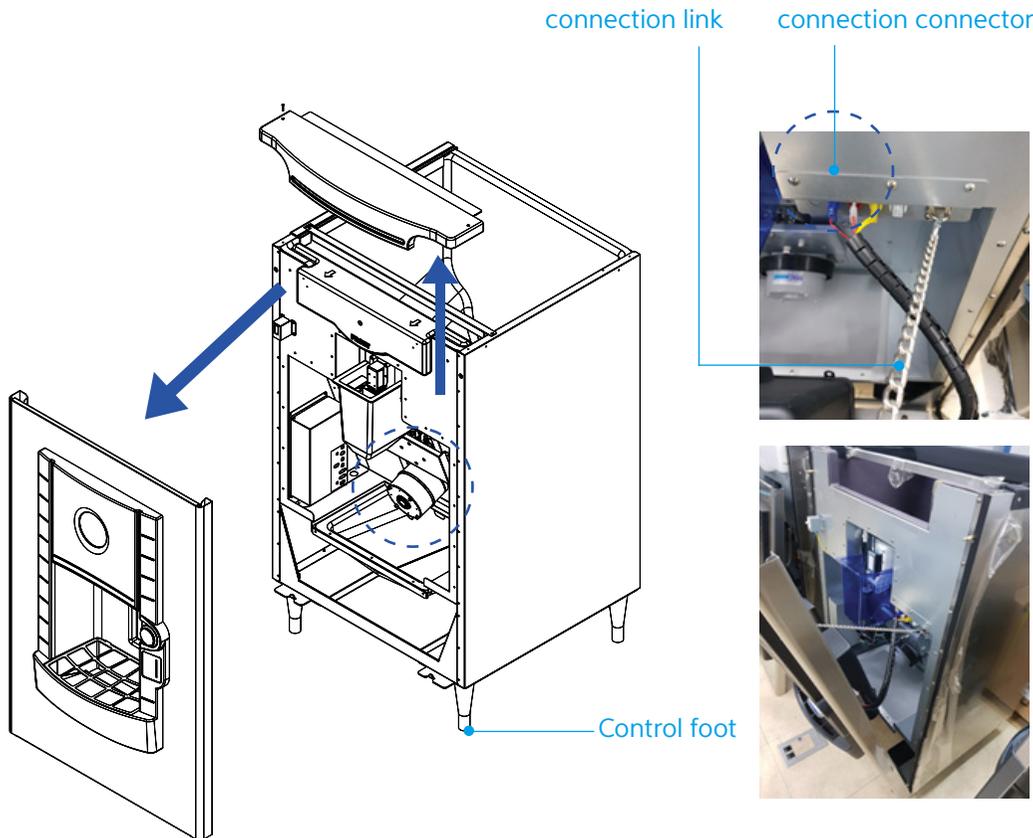
Remove the front panel

Remove the 2 screws on the top lid and lift it up.

The front panel opens by pulling it forward, and the middle hook holds the front panel so you can see the inside.

The lower part is fitted over the base.

To remove the front panel, loosen the hook and disconnect all the connectors for the wire housing before removing it.



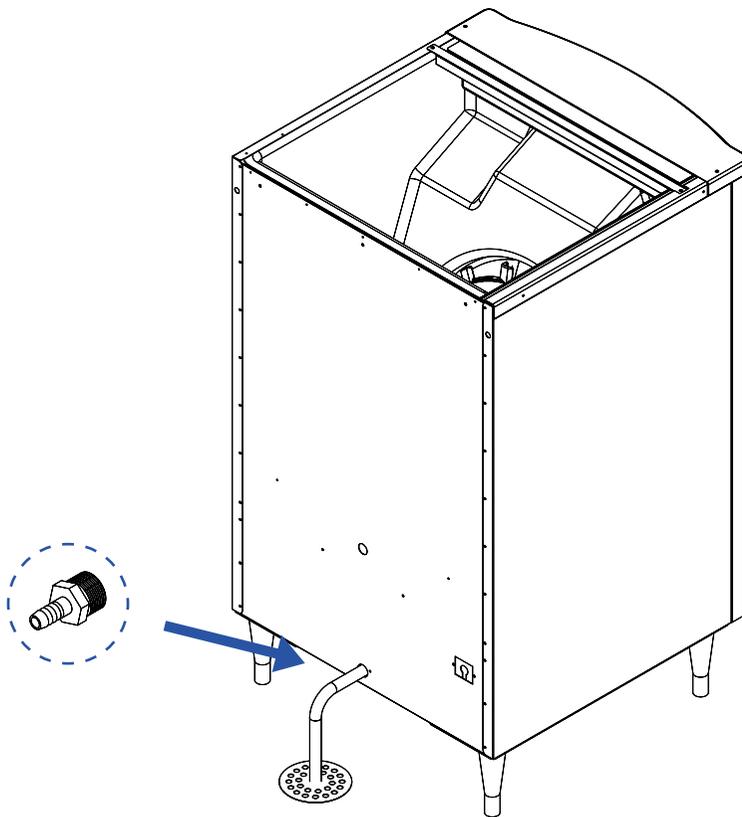
7. Plumbing Installation

All models of the dispenser have a PT 3/4 drain screw on the bottom of the rear panel. After tightening the screws in the attached parts, connect the drain hose. In most installations, the drain tube connects to the building drain.

Use a PVC hose for the connection hose and connect it to the drain hole. It is safe to drain through the copper pipe if necessary.

Be careful not to get solvent, etc. on the connected drain PVC hose.

Be careful not to get solvents on all plastics.



Drain connection, Dispenser rear view

8. Electrical and Ice Maker Connection

The power cord is connected to the back.

Do not connect it to an extension cord, connect it to a wall outlet.

The outlet must use a grounded cord.

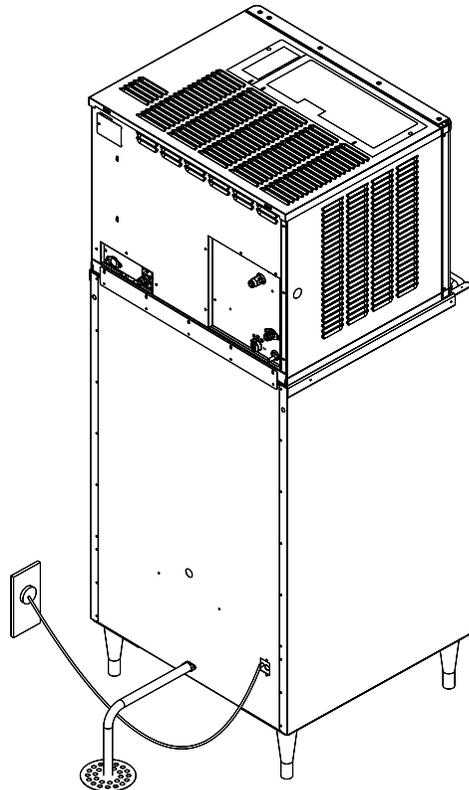
The dispenser must be installed as a separate piece of equipment from the ice maker.

The drain and electrical supply must be separated.

Connect the ice maker to the top of the dispenser and fix it with the given fixing brackets as shown. If it is not fixed, the ice maker may fall and cause a serious accident.

When installing the ice maker, be sure to separate the drain from the ice maker and drain from the dispenser as shown in the figure.

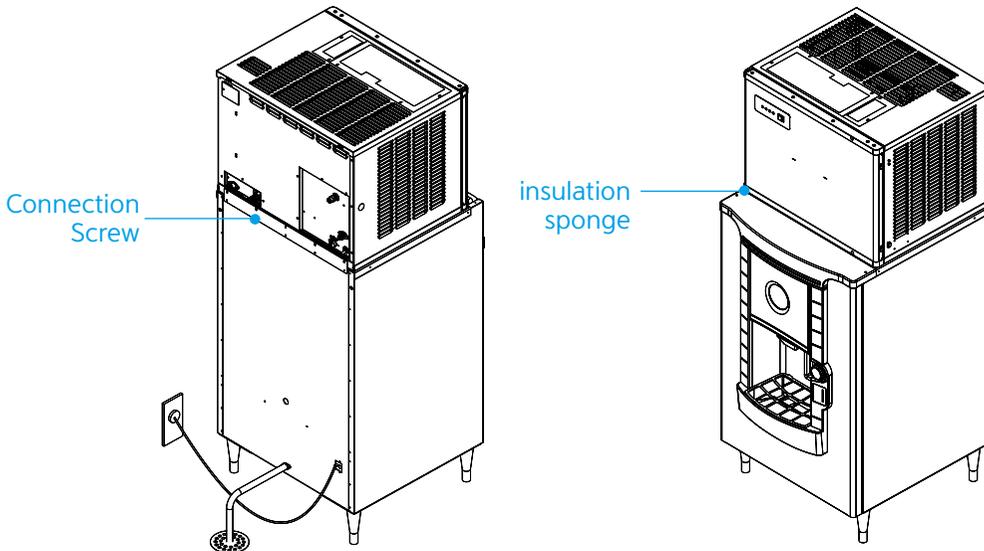
Install the power line and water supply line so that they do not come into contact.



※ Install the ice maker drain separately

9. Final Installation Inspection and Initial Operation

- 1) Check that the ice maker power connection, dispenser power, drain, etc. are properly connected. Connect the ice maker and the dispenser with screws as shown in the figure to make sure that the ice maker is installed safely so that the ice maker does not fall over.
- 2) Start the ice maker according to the procedure for starting the ice maker.
- 3) Double-check that the ice maker/dispenser assembly is level from front to back and from left to right.
- 4) Connect the dispenser power and press the button to confirm operation.
 - The accessory mount bracket between ice maker head and dispenser is not compatible with the other manufacturer's ice makers. In the event mounting other brand's ice maker heads, consult with local distributor or ICETRO.
 - Attach the slim insulation sponge tape to seal the gap at front between ice maker head and dispenser after mounting it up. It is to prevent dust and foreign material from falling into ice storage bin inside.



- 5) Put the ice chute into the ice spout.
- 6) When you press the 'PUSH' button, the wheel in the storage bin rotates and ice comes out of the ice chute.
- 7) Power is supplied to the gearmotor, and when the PUSH button is pressed, ice continues to be dispensed.
- 8) If the PUSH button is not pressed, there is an automatic agitating cycle for 2 seconds every 4 hours. During the agitating cycle, ice is not discharged because the PUSH button is not pressed.
- 9) Make sure to fully explain the manual to the consumer.

10. How to Use

After the ice maker has been running for several hours, the dispenser can be used if there is ice in the storage bin.

If you press the PUSH button with a container under the ice chute, the paddle wheel in the storage bin rotates and ice falls from the ice chute into the storage container.



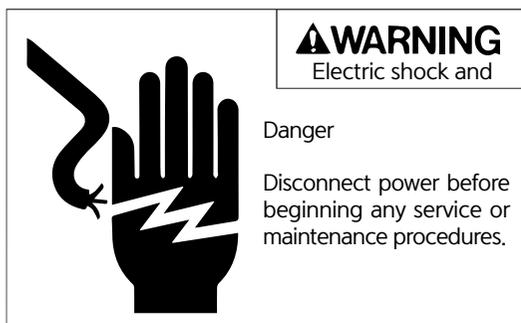
11. General Care and Cleaning Methods

Inspect and clean regularly to maintain optimum operating conditions. Wash the outside of the dispenser with warm water and soap. Rinse and dry.

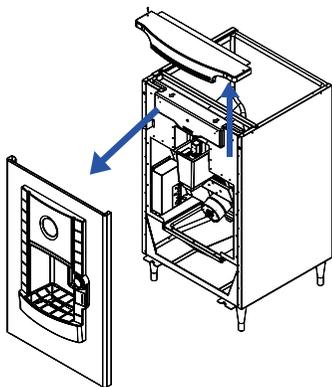
Cleaning and sterilization of ice storage:

During the freezing cycle of the ice maker, minerals, chlorine and other impurities in the water are removed from the water. This mineral is stored in the storage bin. Ice storage should be cleaned and disinfected every 90 days.

- 1) Remove all stored ice from the storage bin and turn off the ice maker.
- 2) Power off the dispenser.

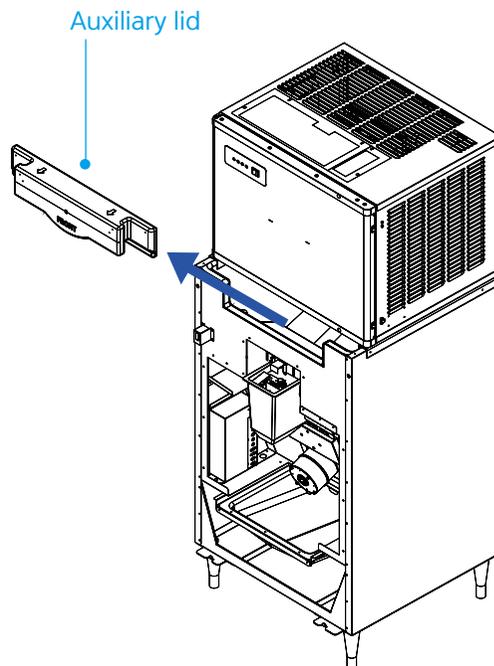


- 3) Unscrew the top cover of the dispenser and open it upwards.
- 4) Pull the front panel forward to remove it.



- 5) Lift the auxiliary lid on the front to remove it.
- 6) Put your hand in the hole, find the hairpin and pull it out of the shaft.
- 7) Pull the mixing bar up off the shaft and remove it from the dispenser.
- 8) Pull up the ice dispensing wheel from the drive shaft and remove it from the dispenser.
- 9) Mix the cleaning solution.

After washing the inside with the solution mixed by the dilution method of our cleaning solution, wash the inside with clean water 3 times.



10) Clean the ice maker, sink, mixing bar and rotating wheel using ice maker cleaning solution.

Be sure to rinse the parts with clean water.

11) Disinfection: Use a disinfectant approved by our company.

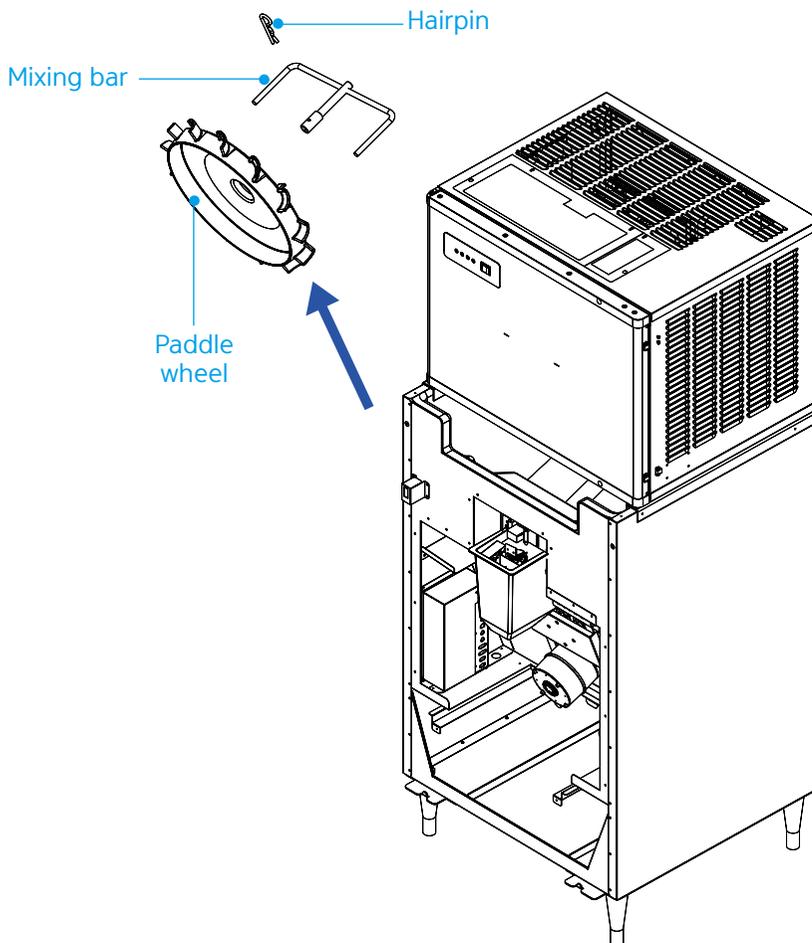
12) Wash all interior surfaces, mixing bar and paddle wheel with warm water disinfectant solution. Use a clean cloth.

13) After washing and sterilizing, dry naturally,

assemble the parts in the reverse order of disassembly, and be sure to reinsert the hairpin.

14) Reassemble the disassembled panel.

15) Reconnect the power and check if the ice maker is turned on again.



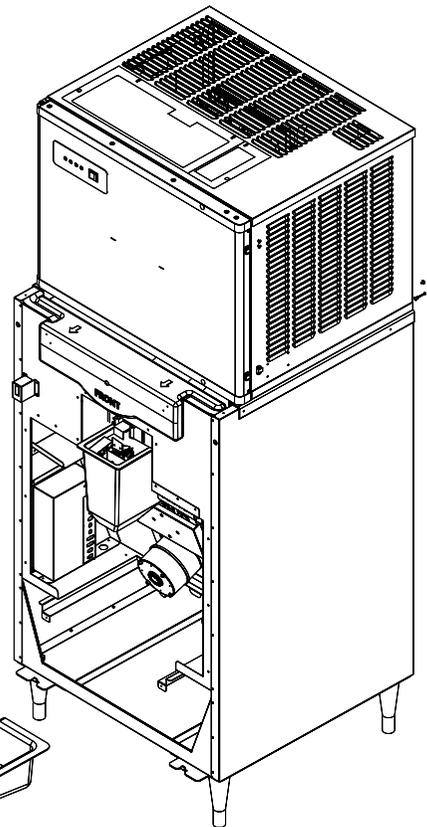
12. Maintenance

Fallen ice and user debris fall directly into the drain plate underneath.. Occasionally you will need to clean the drain plate to remove debris and prevent backflow of water.

CAUTION: If the drain plate is not cleaned, it may overflow and leak out of the product.

To clean the drain plate:

- 1) Remove the front panel.
- 2) Turn off the power.
- 3) Remove the 2 screws securing the top lid to the dispenser. Lift the top panel off the dispenser.
- 4) Pull the side of the front panel forward. Release the 3 visible wire connection jacks and hooks.
- 5) Lift the front panel off the base.
- 6) Loosen the two drain fixing screws, disconnect the drain hose connected to the drain pan, and then remove the drain plate.
- 7) Clean the drain plate.
- 8) After cleaning, assemble the drain plate to its original position
- 9) Reattach the drain hose and reinsert the hose fixing clip.



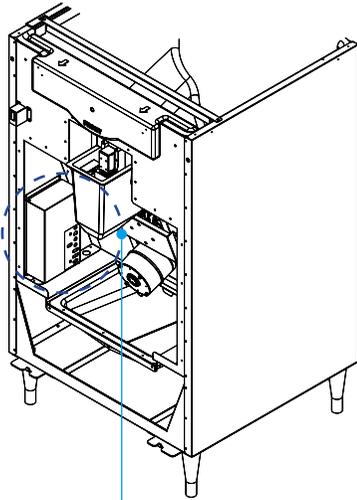
Fixed screw

Drain plate

13. Control Function

It is preset by the manufacturer. Very little adjustment is required.

Agitation standard time is 2 seconds every 4 hours. If the instrument is installed in a low temperature environment, adjust it to agitate more frequently. However, if the ice produced by the ice maker is cloudy and brittle, adjust it to be less agitated.

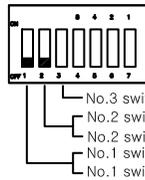


To adjust agitation time, open the control box and adjust the highlighted part of the PCB



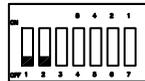
How to set DIP SWITCH

After changing the set value of DIP SWITCH, be sure to turn the power OFF and then ON to operate with the changed value.

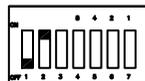


No.1 and No.2 switch
Function setting switch

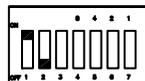
- No.3 switch not used
- No.2 switch ON (operates for the set time)
- No.2 switch OFF (operates for the detection time)
- No.1 switch ON (uses IR SENSOR)
- No.1 switch OFF (uses dispensing lever)



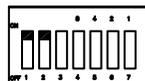
No.1 switch OFF/No.2 Switch OFF
When using the dispensing lever, it stops after operating for as long as it is pressed.



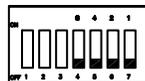
No.1 switch OFF/No.2 switch ON
When using the dispensing lever, after detecting a press signal, it operates for the set value of DIP SWITCH No. 4~7 and then stops



No.1 switch ON/No.2 switch OFF
When using the IR sensor, it stops after operating for the IR sensor detection time.



No.1 switch ON/No.2 switch ON
When using IR SENSOR, when IR SENSOR detects it, it operates for the set value of DIP SWITCH No. 4~7 and then stops



No.4, No.5 and No.6 switches
BCD CODE value x 1[sec] = time setting

- No.7 switch ON (BCD value 1)
- No.7 switch OFF (BCD value 0)
- No.6 switch ON (BCD value 2)
- No.6 switch OFF (BCD value 0)
- No.5 switch ON (BCD value 4)
- No.5 switch OFF (BCD value 0)
- No.4 switch ON (BCD value 8)
- No.4 switch OFF (BCD value 0)

No 4	No 5	No 6	No 7	Set value of DIP SWITCH x 1[sec]
OFF	OFF	OFF	OFF	Stop after 10 seconds of operation
OFF	OFF	OFF	ON	Stop after 1 second operation
OFF	OFF	ON	OFF	Stop after 2 seconds of operation
OFF	OFF	ON	ON	Stop after 3 seconds of operation
OFF	ON	OFF	OFF	Stop after 4 seconds of operation
OFF	ON	OFF	ON	Stop after 5 seconds of operation
OFF	ON	ON	OFF	Stop after 6 seconds of operation
OFF	ON	ON	ON	Stop after 7 seconds of operation
ON	OFF	OFF	OFF	Stop after 8 seconds of operation
ON	OFF	OFF	ON	Stop after 9 seconds of operation
ON	OFF	ON	OFF	Stop after 10 seconds of operation
ON	OFF	ON	ON	Stop after 11 seconds of operation
ON	ON	OFF	OFF	Stop after 12 seconds of operation
ON	ON	OFF	ON	Stop after 13 seconds of operation
ON	ON	ON	OFF	Stop after 14 seconds of operation
ON	ON	ON	ON	Stop after 15 seconds of operation

14. Service Diagnosis

Occurrence	Possible cause	Actions	
Ice is not ejected	No power	Make sure the dispenser is receiving adequate power.	
	No ice	Check the ice maker	
	Door switch not closed		Check the door switch
			Check the chute for proper movement
	Does the button work properly?	Check that the door lock is working properly.	
	Door switch open	Check that the front panel is pressing the door switch.	
	Drive motor winding open	Check the drive motor	
	Drive gear failure	Check the gear reducer	
Ice does not come out	No ice	Check the ice maker operation	
	Mixing bar rotation failure	Check drive motor Check Pcb output	
Rotating wheel discharging only a small amount of damaged ice	Plastic wheel damaged	Replace wheel	
LED not lit	Wire broken	Check for wire broken and PCB	
Leak	The drain is clogged.	Check if there are any restrictions on the drain	
	The drain pan is full	Remove excess ice	
	Leakage at the hose connection of the drain pan	Check clamp tightening	
	Drainage clogging	Clean the waterspout	
Water droplets from the spout	A few drops of water are normal	Check spout drainage	
Not recognized by card injection	Check the microswitch	Replace the switch	

MEMO



MEMO

We Think of Customer Satisfaction

MEMO



Online Internet Service <http://www.icetro.com>

