



MDW100 Modular Dry Well

Installation Instructions

INSTALLATION REQUIREMENTS

Do not install closer than 4.125 inches (105 mm) to front wall, one [1] inch (25 mm) to back and side walls, and 6.75 inches (171 mm) to a surface below the unit. If storage is to be used underneath, it is recommended that a baffle be placed 8.5 inches (216 mm) below the unit to avoid contact with elevated temperatures. The unit will need to be accessible from the bottom after installation is complete.

A proper electrical connection based on the units electrical specifications will be necessary for installation. *This must be wired and connected by a licensed electrician. Electrical installation will need to pass local electrical codes.*

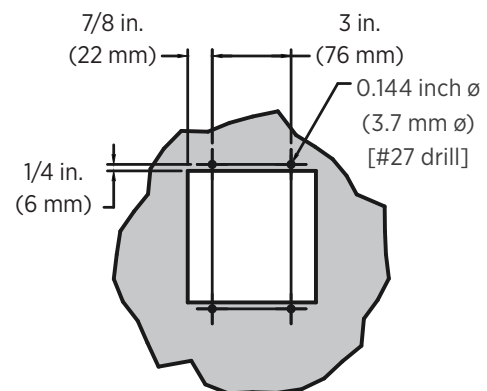
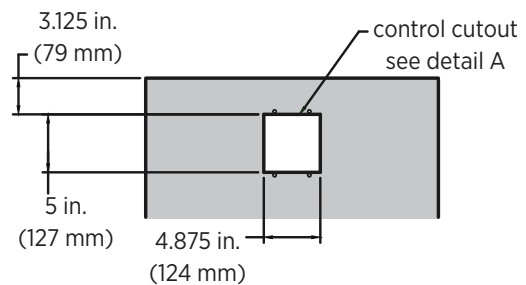
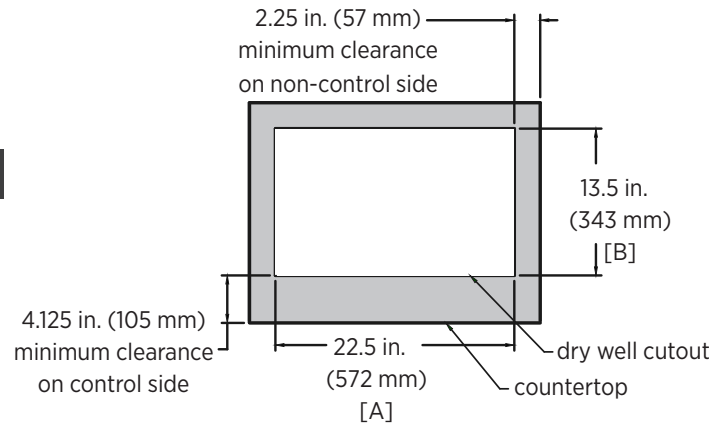
FABRICATION

- i. Lay out cutout dimensions on countertop and front apron.
- ii. Lay out control panel mounting holes in counter apron using the provided dimensions. The mounting holes should be 0.144 inch (3.7 mm) in diameter [drill size 27].
- iii. Cut out the holes. On many countertops, reinforcement may be needed to stiffen the countertop.

INSTALLATION INSTRUCTIONS

Do not disconnect the control box from the modular unit.

- i. Remove the knobs and faceplate from the control box. Pass the control box through the countertop cutout, and then through the apron cutout. This will require the box to be rotated so the mounting tabs clear the hole. Next, lower and position the modular section into countertop cutout.
- ii. Before final seating of modular section to countertop, apply a bead of silicone sealant to the underside of the grey gasket material supplied on the mounting flange. From underneath, insert screwdriver into the slots in the Wellslok frame and twist clockwise to move the ears outward as required to secure the flange tightly to countertop.¹
- iii. Mount the control box to apron cutout using #10 sheet metal [or wood] screws to the facing side where the holes were drilled.
- iv. Run wiring through the conduit knockout to the terminal block, making connection as shown in the unit's wiring diagram to the correct power source.
- v. Mount the front panel onto the control box using the provided hardware and place the knob on. At this point, you should be able to power on the unit and check for proper operation.



The unit's overall depth is 12.125 inches (308 mm) will sit approximately 11.75 inches (298 mm) below the counter surface depending on counter thickness.

When installing multiple units, each unit will need a space of at least 2.125 inches (54 mm) between the cutouts on the long dimension sides [A] and at least 3.625 inches (92 mm) between cutouts on the short dimension side [B].

MODEL	TOTAL kW	VOLTS, PHASE	AMPS
MDW100	0.61	208, 1Φ	2.9
	0.8	240, 1Φ	3.3

The supply wire will need to be the correct gauge as described by the National Electrical Code and be rated to at least 167°F (75°C).

¹ Wellslok adapter kit will use hex screws to tighten and allow installation on countertops up to 1.5 inches (38 mm) thick.



WELLS BLOOMFIELD, LLC • www.wellsbloomfield.com

265 Hobson St • Smithville, Tennessee 37166
Telephone 888 356 5362 • Fax 314 781 5445

Printed in the U.S.A. • 2M-Z20755 • Rev B • 05.2018
The owner is responsible for proper installation as described above. Please refer to the owner's manual for information regarding installation or use.



Wellslok Mounting System

2M-302353 Basic Installation and Extension Kits

BASIC USE

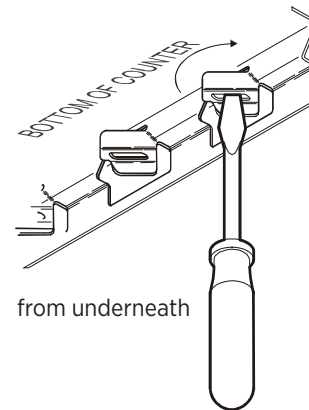
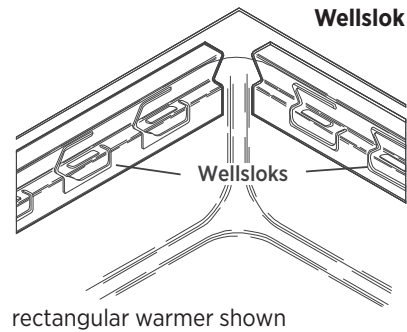
HSW, HT, HW, MDW, MOD, and SS series of round or rectangular, top-mounted, built-in warmers come equipped with the Wellslok mounting system. After getting the warmer positioned correctly into the cutout with the appropriate gasket(s) and sealant applied, as described in the installation instructions for the unit, access the underside and turn each Wellslok tab outward with a screwdriver as shown on the right to secure the warmer to the counter. On countertops thicker than 16 GA steel, Wellslok extension kit[s] will be needed. These kits can accommodate countertops up to 1.5 inches (38 mm) thick. *Wellslok extension kits can only be used with UL listed warmers approved for installation in wood countertops. When installing in custom countertops, please follow the manufacturer's "suggested" recommendations or guidelines for installation of heated equipment in their counter material".*

RECTANGULAR EXTENSION KITS

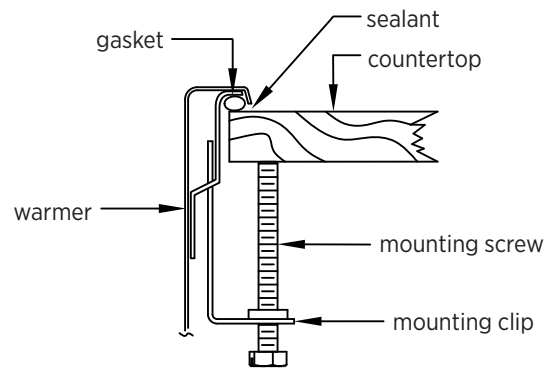
Rectangular extension kits [number 22593] come with hardware to secure a single well up to 12 inches (305 mm) by 20 inches (508 mm) in size. For multiple-well models, additional kits will be required. If your unit is a 4- or 5-well model, then you will need 3 kits for proper installation. On 2- or 3-well models, you will need 2 kits for proper installation. The clips will need to be attached under the countertop and be positioned equally around the unit to assure proper seating. Once all are in place tighten screws until they are flush against the underside of the counter and the unit is secured in place. On some materials, you may wish to place something in between the tip of the screw and the countertop to prevent marring the countertop material.

ROUND EXTENSION KITS

Round extension kits [number 22592] come with hardware to secure one well. The clips will need to be attached under the countertop and be positioned equally around the unit to assure proper seating. Once all are in place tighten screws until they are flush against the underside of the counter and the unit is secured in place. On some materials, you may wish to place something in between the tip of the screw and the countertop to prevent marring the countertop material.



Wellslok extension kit



KIT	QUANTITY OF MOUNTING CLIPS	QUANTITY OF SCREWS
22593	10	10
22592	6	6



WELLS BLOOMFIELD, LLC • www.wellsbloomfield.com

265 Hobson St • Smithville, Tennessee 37166
Telephone 888 356 5362 • Fax 314 781 5445

Printed in the U.S.A. • 2M-Z20755 • Rev B • 05.2018
The owner is responsible for proper installation as described above. Please refer to the owner's manual for information regarding installation or use.