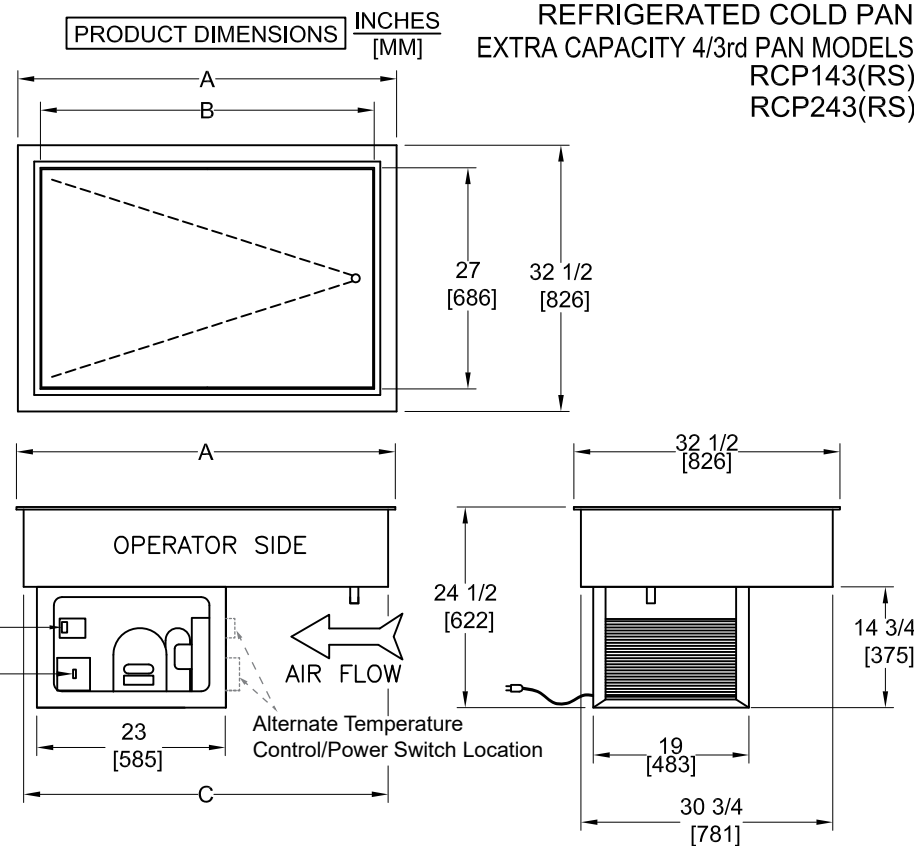
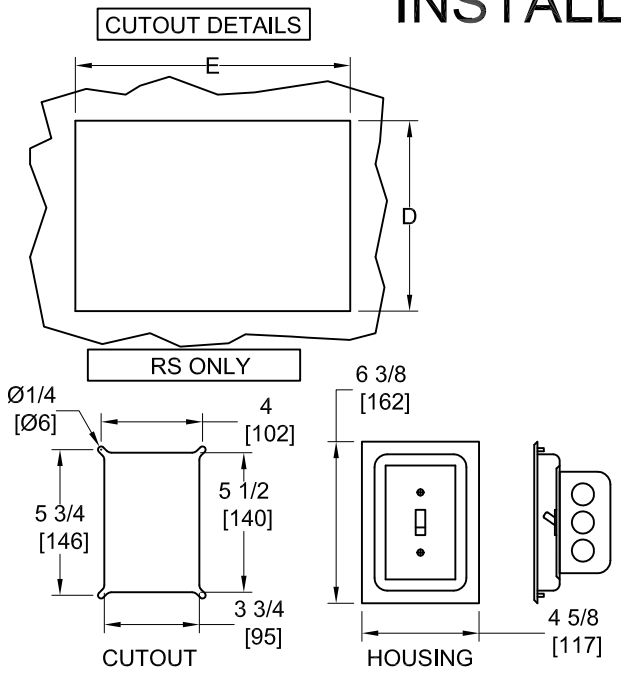


# INSTALLATION INSTRUCTIONS

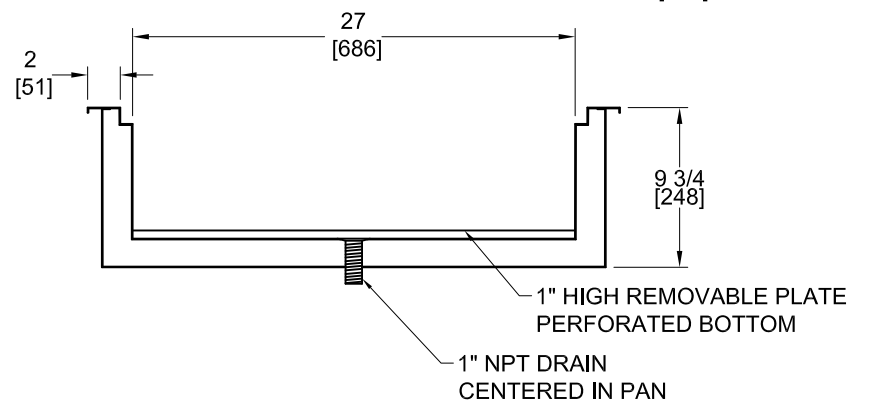
REFRIGERATED COLD PAN  
EXTRA CAPACITY 4/3rd PAN MODELS  
RCP143(RS)  
RCP243(RS)



NOTE:  
THERE ARE NO CLEARANCE SPECIFICATIONS  
FOR THIS UNIT.  
INSTALLER MUST MEET CONDITIONS OF ACCEPTABILITY  
OUTLINED BELOW UPON INSTALLATION:

1. This unit may be installed in stainless steel, wood, Formica, or Corian tables and countertops.
2. This unit is shipped completely assembled and requires only a 15 amp dedicated grounded outlet (NEMA 5-15R) and drain connection. Power cord & power switch should be accessible from the front of the unit.
3. When installing the unit, it is essential to provide side openings twice the surface area of the condenser for adequate air circulation. Louvered grills with proper size may be placed in each opening.

- TO INSTALL:
1. Lay out "cutout" dimensions on countertop or table.
  2. Cut out hole and add stiffeners to support weight of unit if necessary. Countertop must be flat and level before installing cold pan.
  3. Apply a generous bead of silicone sealant to underside of mounting flange before setting unit into cutout. Remove any excess sealant from top flange and countertop.
  4. Connect 1 inch drain to drain pan or floor drain. Consult local codes for approved drain connections.



Model Number	OVERALL DIMENSIONS			CUT-OUT DIMENSIONS		ELECTRICAL AND REFRIGERATION SPECIFICATIONS							
	DIM. A	DIM. B	DIM. C	DIM. D	DIM. E	VOLTS	HP	AMPS	REFRIGERANT		DESIGN PRESSURE		POWER SUPPLY CORD
									TYPE	QTY	HIGH	LOW	
RCP-143 (RS)	17 3/8 [442]	11 7/8 [302]	15 5/8 [397]	31 [788]	15 7/8 [404]	115	1/5	4	R-513A	9 oz	442	162	NEMA 5-15P
RCP-243 (RS)	31 [788]	25 1/2 [648]	29 1/4 [743]	31 [788]	29 1/2 [750]	115	1/4	5	R-513A	10 oz	442	162	NEMA 5-15P



WELLS MANUFACTURING INTERNATIONAL INC.  
265 Hobson Street • Smithville, Tennessee