



**HGRP-158**

# **Instruction Manual**

## **Heated Rotating Pizza Display**

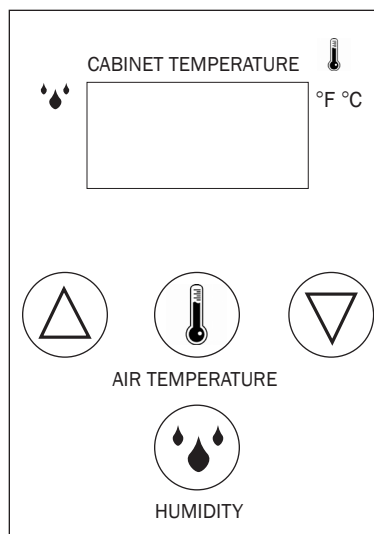
This manual contains important information regarding your unit. Please read this manual thoroughly prior to equipment set-up, operation and maintenance. Failure to comply with regular maintenance guidelines outlined in this manual may void the warranty.

## WARNINGS

- Do not touch any hot surfaces
- Do not plug or unplug unit with wet hands
- Do not immerse unit, cord or plug in liquid at any time
- Unplug cord from outlet when not in use and before cleaning
- Do not operate unattended
- Do not use the unit for anything other than intended use
- Keep children and animals away from unit
- Always use on a firm, dry and level surface at least 12” from walls or any other obstruction
- Any incorrect installation, alterations, adjustments and/or improper maintenance can lead to property loss and injury. All repairs should be done by authorized professionals only.
- Do not use if unit has a damaged cord or plug
- If the supply cord is damaged it must be replaced by the manufacturer, or a qualified service agent to avoid any electrical hazards
- Never clean with flammable or pressurized cleaners. Do not store or use gasoline or other flammable vapors and liquids in the vicinity of this or any other appliance due to fire hazard.
- This appliance is equipped with a properly grounded power cord. All power outlets should be installed with a properly installed grounded circuit.
- Local, state and provincial electrical safety codes and guidelines must be strictly adhered to.
- This unit must be used by qualified and trained personnel. Staff should be instructed on proper daily operation and maintenance prior to usage

## OPERATION

Before operating machine ensure that all covers, doors and moving components are installed properly and working prior to usage. This will ensure unit is in safe operating order.



## TO START

1. Connect to power source
2. Turn the power switch to the 'I' position
  - The display will light up and the heating element will start
  - "LO H2O" will flash once on the display until the water tank is filled with water. Once the tank is full, "LO H2O" will stop flashing and the display will show cabinet temperature
3. Fill the tank up with water
  - Lift the tank cover
  - Fill with water until "LO H2O" stops flashing
  - NOTE: DO NOT OVERFILL
4. Wait 20 minutes before you put food into the machine

## SET TEMPERATURE

1. Press the “thermometer” button to start (the display will show “tSP”)
2. Press the “thermometer” button again, the display will show current cabinet temperature
3. Press the “UP” or “DOWN” arrows to modify the temperature. The range is 78°F – 194°F
4. Don’t press any buttons for 15 seconds to allow the selected temperature to be stored. The display will then return to normal mode.

## SET HUMIDITY

1. Press the “humidity” button to start (the display will show “hSP”)
2. Press the “humidity” button again, the display will show current cabinet humidity.
3. Press the “UP” or “DOWN” button to modify the humidity. The range is 1 to 5.
4. Don’t press any buttons for 15 seconds to allow the selected humidity level to be stored. The display will then return to normal mode.

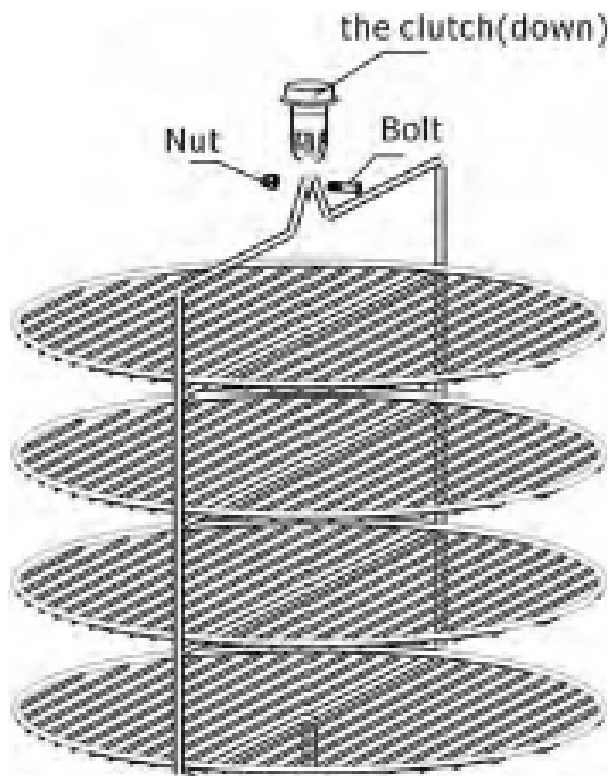
**NOTE:** The type and consistency of different foods will affect the temperature and humidity levels. The temperature displayed is the lowest temperature inside the cabinet, not food temperature. A full water tank will allow the unit to operate continuously for 3-6 hours. Operational time will depend on the temperature and humidity settings as well as the frequency of opening. When the display flashes “LO H2O” please fill with water immediately!

## REGULAR MAINTENANCE

- Before cleaning ensure that the unit is disconnected from the power source.
- Use a food-grade cleaning solution and a soft cloth, or a damp cloth to clean the unit. Do not use flammable or pressurized liquids/
- Regular inspection on the outside and internal cabinet along with the power cord should be observed and carried out on a regular basis to isolate and/or observe any unforeseen failure or safety concern.

### To clean and install rotary shelf:

1. Open glass door
2. Loosen top screws
3. Remove rotary shelf

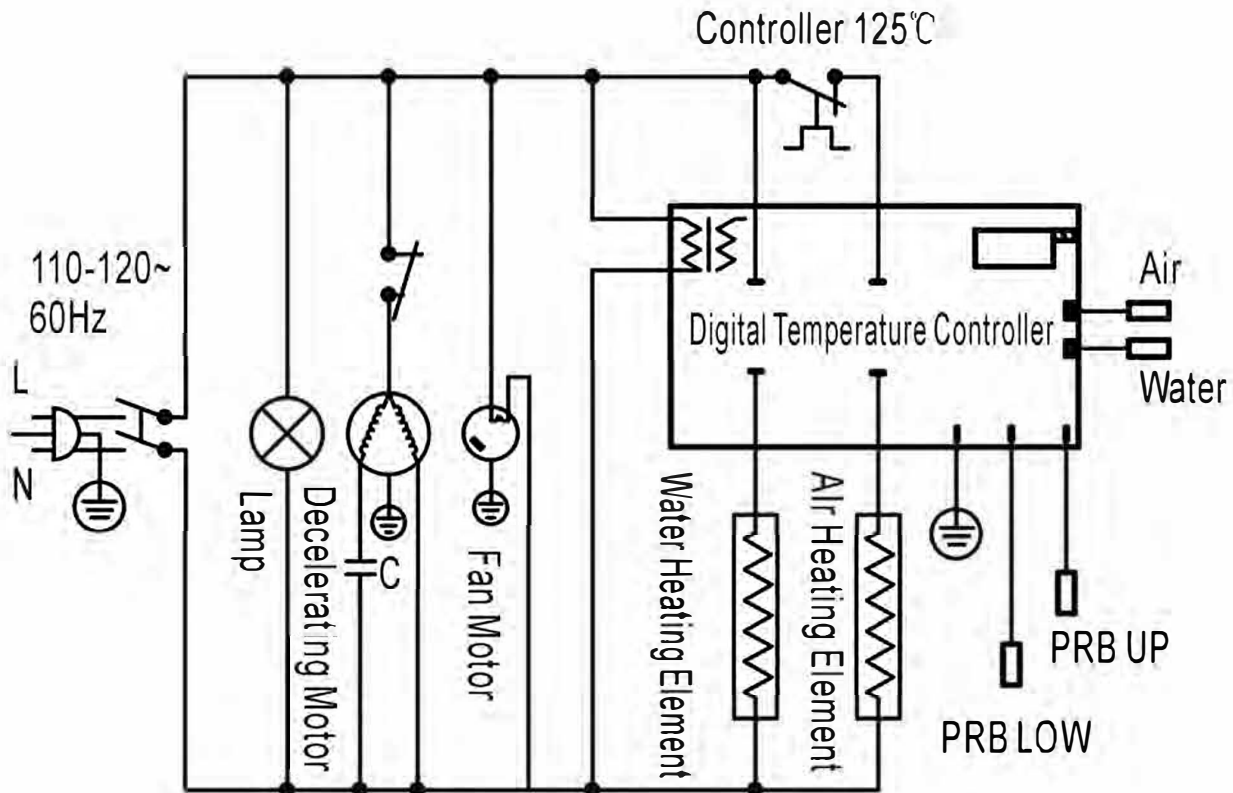


## TROUBLESHOOTING

Before requesting any service on the unit, please check the following chart. Service calls resulting from lack of maintenance or misuse are not covered under the warranty and may also void the warranty. Please note that this guide serves only as a reference for solutions to common problems.

Problem	Possible Cause	Solution
No lighting in the interior cabinet	No power Fluorescent lamp failure	Inspect power source Replace fluorescent tubes
Rotating shelf has stopped	Motor damage Front door not completely closed	Replace motor Close front door/check magnetic door sensor
Interior cabinet heat is not warming up	Thermostat off Thermostat or heater coil failure	Dial in temperature Contact Manufacturer

## WIRING DIAGRAM



# ACE Equipment One Year Limited Warranty

ACE warrants its equipment against defects in materials and workmanship, subject to the following conditions:

ACE Equipment is warranted for one year, effective from the date of purchase by the original owner. A copy of the original receipt or other proof of purchase is required to obtain warranty coverage. This warranty applies to the original owner only, and is not assignable.

Should any product fail to function in its intended manner under normal use within the limits defined in this warranty, at ACE's discretion, such product will be repaired, replaced with a refurbished unit, or replaced with a new unit by ACE, after defective unit has been inspected and defect has been confirmed. ACE does not assume any liability for extended delays in replacing any item beyond its control. This warranty does not apply to rubber and non-metallic synthetic parts that may need to be replaced due to normal usage, wear or lack of preventative maintenance.

This warranty covers products shipped into the 48 contiguous United States, Hawaii, and metropolitan areas of Alaska and Canada. Warranty coverage on products used outside the 48 contiguous United States, Hawaii and metropolitan areas of Alaska and Canada may vary.

The following conditions are not covered by warranty:

- Equipment failure relating to improper installation, improper utility connection or supply and problems due to improper ventilation.
- Equipment that has not properly been maintained, damage from improper cleaning, and water damage to controls.
- Equipment that has not been used in an appropriate manner, or has been subject to misuse, neglect, abuse, accident, alteration, negligence, damage during transit, delivery or installation, fire, flood, riot, or act of God.
- Equipment that has the model number or serial number removed or altered.
- Equipment on which the security seal has been broken.

If the equipment has been changed, altered, modified, or repaired without express written permission from ACE, then the manufacturer shall not be liable for any damages to any person or to any property, which may result from the use of this equipment thereafter.

This equipment is intended for commercial use only and this warranty is void if equipment is used in other than a commercial application.

For warranty and non-warranty related issues, technical support, please contact NSA at 1-877-672-7740. To purchase replacement parts and warranty registration visit [www.admiralcraft.com](http://www.admiralcraft.com). Please have your model number, serial number and proof of purchase ready. It is not necessary to contact the place where you originally purchased your product from.

“THE FOREGOING WARRANTY IS IN LIEU OF ANY AND ALL WARRANTIES EXPRESSED OR IMPLIED INCLUDING ANY IMPLIED WARRANTY OF MERCHANTABILITY OR FITNESS FOR PARTICULAR PURPOSES AND CONSTITUTES THE ENTIRE LIABILITY OF ACE. IN NO EVENT DOES THE LIMITED WARRANTY EXTEND BEYOND THE TERMS STATED HEREIN.”

## WARRANTY REGISTRATION CARD

**MAIL CARD  
IMMEDIATELY**



This card must be mailed immediately after installation date for warranty to be in effect.

**National Service America • 230 Park Ave, Suite 1000 • New York, NY • 10169**

\_\_\_\_\_  
(Name of Business) (Dealer Purchased From)

\_\_\_\_\_  
(Address) (City) (State) (Zip Code)

\_\_\_\_\_  
(Model Number) (Serial Number)

This is to inform that I, \_\_\_\_\_  
(Please print name of individual who owns business)

have had the above installed in my place of business \_\_\_\_\_  
(Date of Purchase)

\_\_\_\_\_  
(Contact Phone Number) (Contact E-mail) (Signature of Individual Who Owns Business)