

TRAY SLIDE UNIVERSAL (50)

INSTALLATION MANUAL

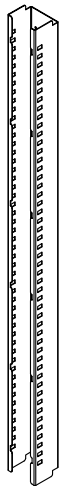
ITEM ①



H50R104600
(POST TRAY SLIDE UNIVERSAL 50)

X 4 EACH

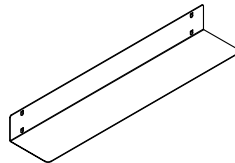
ITEM ②



H50R104550
(POST M TRAY SLIDE UNIVERSAL)

X 2 EACH

ITEM ③



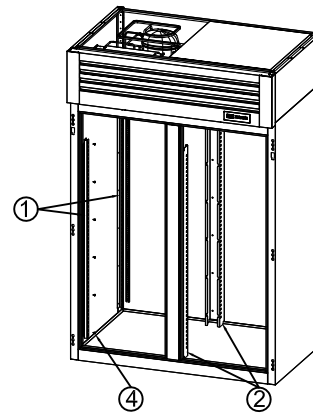
H26R104470
(TRAY SLIDE UNIVERSAL)

X 28 EACH

ITEM ④

7142401303
(SCREW M4*13 DELTA COATING #8 1/2)

X 48 EACH



1 INSTALLING POSTS

INSTALL ITEM 1 WITH ITEM 4 TO BOTH SIDES OF CABINET LINER

TWO POST ON EACH SIDE FACING INWARD AS SHOWN

THERE ARE PRE-DRILLED HOLES TO INSTALL POST

DISASSEMBLE SHELF PILASTERS ON BACK PANEL AND MULLION, USE HOLES TO INSTALL ITEM 2 WITH ITEM 4

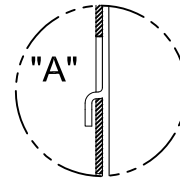
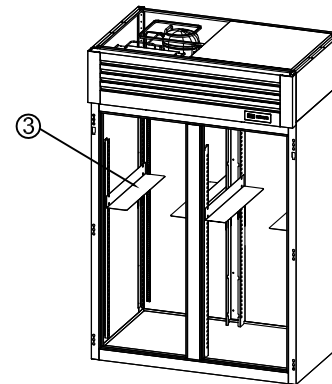
2 INSTALLING TRAY SLIDES

INSTALL ITEM 3 INTO ITEM 1 & 2 AS SHOWN

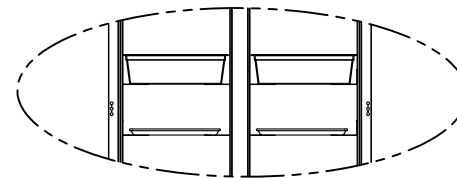
TRAY SLIDE HOOKS SHOULD BE POSITIONED INSIDE OF RECTANGLE OPENING (SEE "A")

TRAY SLIDE ALIGNMENT (ON EACH POST) SHOULD BE ON THE SAME RECTANGLE OPENING.

REPEAT INSTALLMENT OF TRAY SLIDES 14 SETS



3 INSTALLING BUN PANS & PANS



TRAY SLIDES UNIVERSAL USE
18" X 26" BUN PANS
18" x 14" BUN PANS
FULL SIZE PANS