

TRAY SLIDE NO 4 (50)

INSTALLATION MANUAL

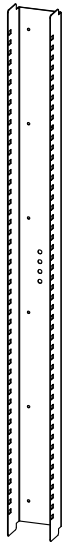
ITEM ①



H26R104570
(POST TRAY SLIDE NO 4)

X 4 EACH

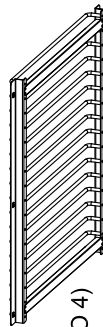
ITEM ②



H50R104540
(POST M TRAY SLIDE NO 4)

X 2 EACH

ITEM ③



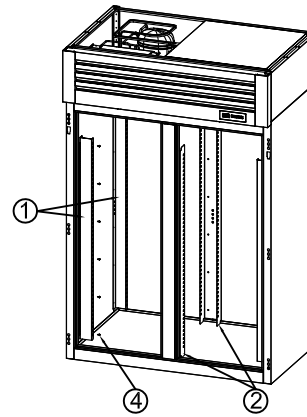
H26R105020
(TRAY SLIDE NO 4)

X 8 EACH

ITEM ④

7142401303
(SCREW M4*13 DELTA COATING #8 1/2)

X 48 EACH



1 INSTALLING POSTS

INSTALL ITEM 1 WITH ITEM 4 TO BOTH SIDES OF CABINET LINER

TWO POST ON EACH SIDE FACING INWARD AS SHOWN

THERE ARE PRE-DRILLED HOLES TO INSTALL POST

DISASSEMBLE SHELF PILASTERS ON BACK PANEL AND MULLION, USE HOLES TO INSTALL ITEM 2 WITH ITEM 4

2 INSTALLING TRAY SLIDES

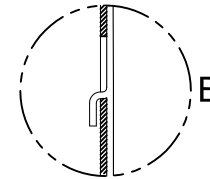
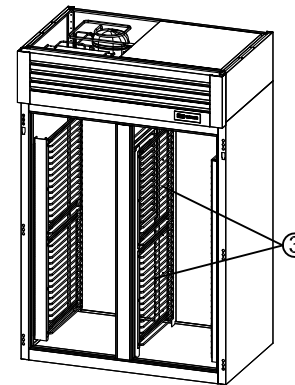
INSTALL ITEM 3 INTO ITEM 1 & 2 AS SHOWN.

TRAY SLIDE HOOKS SHOULD BE POSITIONED INSIDE OF RECTANGLE OPENING (SEE "A")

TRAY SLIDE ALIGNMENT (ON EACH POST) SHOULD BE ON THE SAME RECTANGLE OPENING

REPEAT INSTALLMENT OF TRAY SLIDE (8 TOTAL TRAY SLIDE ASSY)

2 SETS PER SECTION



3 INSTALLING BUN PANS

TRAY SLIDES NO 4 USE
18" X 26" BUN PANS
18" X 14" BUN PANS

