

Greens Machine

The Evolution of Vegetable Drying



Crisp Fresh Colorful

18 lb
in less than
5 minutes



There is nothing worse than pale and soft vegetables. It doesn't attract customers and will not give a profitable dish price.

Ensuring crisp, fresh and colorful vegetables always, is one of the most important tasks in the daily work of the kitchen. With the VP2 Greens Machine, chefs can deliver great tasting produce as part of their menus.

Available in multiple voltages:
115V and 220V available



Longer Shelf life
with crisp dry
produce



Preserved Freshness
delivered to customers
always



Higher Profitability



Ease of Use



Click here
to see the
more of what
VP2 can do
for you



Delivering on our promise. Simple. Fast. Safe.

- **Guarantee crispier and fresher produce** by extracting more water off surface thus saving also on dressings
- **Preserve dryer produce longer** in inventory, saving you money in the longterm
- **Dry produce quicker** with the new internal perforated basket spinning at 400 RPM
- **Longer lasting equipment** designed with a tough stainless steel body
- **Keep your staff safe** with the new interlocked lid's magnetic safety switch
- **Move & Use** the VP Vegetable Dryer anywhere in the kitchen with a built-in water reservoir and wheels
- **Reliable results delivered everytime** with the VP's new high powered 1/2 HP motor

Excellence in features, ergonomics and design

Productivity



Basket Design - Rotating at 400 RPM, the newly designed perforated basket extracts more moisture quicker.



Stainless Steel Body - Resists rust and corrosion for longer life.

Ergonomics



Move & Use - Delivered with locking casters makes the VP2 a mobile unit in any kitchen.
Casters with breaks on every model.



Waterproof Switches - Waterproof On & Off switches placed at operational ergonomic height.

Safety



MSS: Magnetic Safety Switch - The newly designed outer lid engages with the basket to ensure effective function, start and stop.



Water Reservoir - VP2 has an included water collecting reservoir with water level sensor (also included is a direct drain option).

Spin Dryers
VP2 "Greens Machine" Vegetable Dryer,
20Gal (75Lt) with basket, stainless steel
drum

ITEM # _____

MODEL # _____

NAME # _____

SIS # _____

AIA # _____



Spin Dryers

VP2 "Greens Machine" Vegetable Dryer,
 20Gal (75Lt) with basket, stainless steel drum

600095 (VP2)

VP2 "Greens Machine"
 Vegetable Dryer, 20Gal
 (75Lt) with basket, stainless
 steel drum

Short Form Specification

Item No. _____

VP2 "Greens Machine" Vegetable Dryer, 20Gal (75Lt) with basket, stainless steel drum, floor model, capacity approximately 16 heads of lettuce, adjustable built-in 5 minute timer, ON & OFF buttons at ergonomic height, built-in water collection reservoir, stainless steel outer drum (body), 3 casters with brakes.

SPECS: 370 watts (1/2HP) motor, 115v/60/1, 2.7 amps, NEMA 5-15P, 8ft cord

Main Features

- Dries up to 16 heads of lettuce in under 5 minutes. Other green leaves and cut vegetables can be dried as well.
- Delivered with plastic basket, equipped with handle grips for easy loading/unloading.
- Built-in 5 minute timer protected by hinged cover.
- ON/OFF water proof buttons at ergonomic height.
- Electrical braking system to stop basket rotation in a few seconds at the end of the cycle or when lid is opened.
- Ergonomically fits under working kitchen counters for storage after use.
- Built in reservoir, water can be easily collected. No need of floor drain (optional).
- Easy lock casters.
- ETL electrical and sanitation listed.
- 2 year parts warranty, 1 year labor.

Construction

- Stainless steel external drum (body).
- Removable plastic inner basket, 20Gal (75Lt) capacity.
- Hinged plastic lid with built-in safety device.
- Mounted on casters with brakes.
- Water reservoir (built-in) equipped with level indicator.
- Basket rotates at approximately 400 RPM.

Included Accessories

- 1 of Additional basket with holes PNC 653788

Optional Accessories

- Additional basket with holes PNC 653788



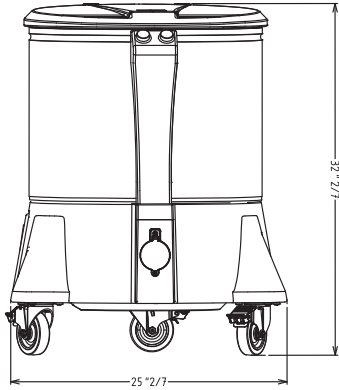
APPROVAL: _____



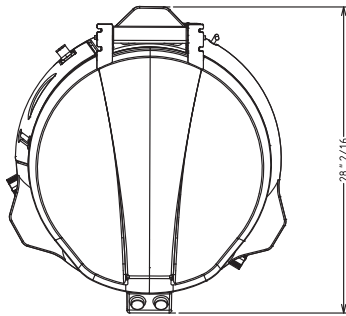
Electrolux

Spin Dryers
VP2 "Greens Machine" Vegetable Dryer, 20Gal (75Lt) with basket, stainless steel drum

Front

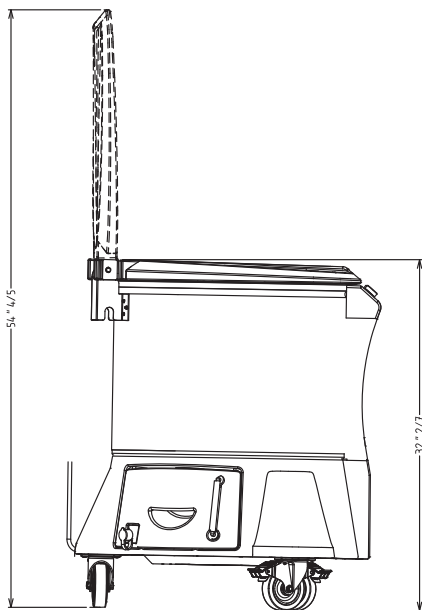


Top



EI = Electrical connection

Side



Electric

Supply voltage:

600095 (VP2)

115 V/1N ph/60 Hz

Total Watts:

0.373 kW

Horsepower:

1/2 HP

Key Information:

External dimensions, Width: 26 9/16" (675 mm)

External dimensions, Depth: 26 9/16" (675 mm)

External dimensions, Height: 32 1/64" (813 mm)

Shipping weight: 121 lbs (55 kg)

Spin Dryers
VP2 "Greens Machine" Vegetable Dryer, 20Gal (75Lt) with basket, stainless steel drum

The company reserves the right to make modifications to the products without prior notice. All information correct at time of printing.

2016.09.30



Discover the Electrolux Excellence
and share more of our thinking at
www.electroluxusa.com/professional

Follow us on    

Excellence with the environment in mind

- ▶ All our factories are ISO 14001-certified
- ▶ All our solutions are designed for low consumption of water, energy, detergents and harmful emissions
- ▶ In recent years over 70% of our product features have been updated with the environmental needs of our customers in mind
- ▶ Our technology is ROHS and REACH compliant and over 95% recyclable
- ▶ Our products are 100% quality tested by experts

