



# Owner's Manual

## GLC/GW-100 MANUAL

- INSTALLATION
- SERVICE
- PARTS

REV.1.02A



**CMA DISHMACHINES  
12700 KNOTT STREET  
GARDEN GROVE, CALIFORNIA 92841**

**800-854-6417**

**FAX 714-895-2141**

[www.cmadishmachines.com](http://www.cmadishmachines.com)

# TABLE OF CONTENTS

## MODEL GLC/GW-100

|  |           |
|--|-----------|
| <b>1. RECEIVING .....</b>  | <b>2</b>  |
| <b>2. SPECIFICATIONS .....</b>                                     | <b>3</b>  |
| 2.1. GLC .....   | 3         |
| 2.2. GW-100 .....  | 4         |
| <b>3. INSTALLATION .....</b>                                       | <b>5</b>  |
| 3.1. ELECTRICAL .....  | 5         |
| 3.2. PLUMBING .....  | 5         |
| <b>4. OPERATION .....</b>  | <b>6</b>  |
| 4.1. FILLING OF THE WASH TANK .....                                | 6         |
| 4.2. OPERATION INSTRUCTIONS .....                                  | 6         |
| 4.2.1. <i>Proper Chemical Dosage</i> .....                         | 6         |
| 4.3. CLEANING INSTRUCTIONS .....                                   | 7         |
| 4.3.1. <i>Highly Recommended Daily Cleaning Instructions</i> ..... | 7         |
| 4.3.2. <i>Weekly Cleaning Instructions</i> .....                   | 7         |
| <b>5. TROUBLESHOOTING .....</b>                                    | <b>8</b>  |
| <b>6. PARTS MANUAL .....</b>                                       | <b>10</b> |
| 6.1. GLC INITIAL PARTS KIT P/N 1100.47 .....                       | 10        |
| 6.2. GW-100 INITIAL PARTS KIT P/N 1100.49 .....                    | 11        |
| 6.3. EXPLODED VIEW DRAWINGS .....                                  | 12        |
| 6.2.1. <i>Main Assembly</i> .....                                  | 12        |
| 6.2.2. <i>Conveyor Wheel / Curtain</i> .....                       | 13        |
| 6.2.3. <i>Conveyor Shut-Off Rod Assembly</i> .....                 | 14        |
| 6.2.4. <i>GLC Control Box Assembly P/N 18612.49</i> .....          | 15        |
| 6.2.5. <i>GW-100 Control Box Assembly P/N 18611.47</i> .....       | 16        |
| 6.2.5. <i>Soap Tank Assembly</i> .....                             | 17        |
| 6.2.6. <i>Water Inlet Plumbing</i> .....                           | 18        |
| 6.2.7. <i>Sanitizer Plumbing Component Hardware</i> .....          | 19        |
| 6.2.8. <i>Vacuum Breaker and Hardware</i> .....                    | 20        |
| 6.2.9. <i>Wash Pump Assembly</i> .....                             | 21        |
| 6.2.10. <i>Conveyor Drive Assembly</i> .....                       | 22        |
| 6.2.11. <i>Waste Collector Assy. P/N 16565.00</i> .....            | 23        |
| <b>7. GLC ELECTRICAL DIAGRAM .....</b>                             | <b>24</b> |
| <b>8. GW-100 ELECTRICAL DIAGRAM .....</b>                          | <b>25</b> |



## 1. Receiving

---

1. Remove all packing material from the machine.
2. Remove all tape securing components within the machine. Check that both trays are positioned properly.
3. Check for the following component parts:
  - A. Check that the rinse screen is secure in the rinse drain.
  - B. Check the position of the GLC curtains.
  - C. Check that the conveyor is level and the drive gear is engaged in the conveyor's outer rim grooves.
  - D. Important: Check and remove overflow drain tube, which is secured to the front of the scrap tank, behind the access door. Place it in position in soap tank.
  - E. Check that the screen in the detergent tank is in position.
  - F. Check that the drain screen is in position.
4. Important: Read all instructions completely.

### DISCLAIMERS

CMA expressly disclaims any and all warranties, express or implied, relating to the installation of any and all CMA equipment that is installed by chemical dealers, contracted servicers or third party servicers to CMA equipment. If the installation instructions are not followed exactly (to the letter), or, if any person or company conducting the installation of the CMA equipment, revise the installation procedures or alter the instructions in any manner, the CMA warranty becomes void. If, due to the improper installation of CMA equipment, this equipment ceases to operate properly or affects other parts of the CMA dishwashing equipment, in that the other parts become defective, the CMA warranty becomes void. CMA will not be liable or responsible or warrant CMA equipment, due to improper installation of any CMA model dishwasher.

**CMA does NOT endorse "Tankless On-Demand" water heaters for use on CMA Dishmachine products. On most applications, the volume of hot water required for commercial dishmachines exceeds the capacity of these types of heating sources. You will find that most, if not all, commercial dishmachines have been programmed with auto-filling features that require quick filling, with a designated limited time.**

**CMA DOES endorse, and highly recommends, the standard "tank" style water heaters, sized properly to handle each particular facility with their water heating requirements. A "tank" style water heater stores and supplies a large capacity of preheated water before providing hot water to the dishmachine. To meet required health codes, there must be a reliable and consistent flow of adequate hot water supplied to the dishmachine. If the facilities' "tank" style water heater is marginal in size, CMA recommends installing a proper size Hatco Booster Heater, a CMA's E-Temp 40 or 70-degree-rise Booster Heater (that can be installed on CMA Conveyors), or a CMA Temp-Sure Booster Heater (for door and undercounter dishmachines). All are designed to adequately achieve results.**

## 2. Specifications

### 2.1. GLC

|                                     |                          |              |
|-------------------------------------|--------------------------|--------------|
| <b>WATER CONSUMPTION</b>            |                          |              |
| HOT WATER INITIAL FILL              | 3 GAL.                   | 11.35 L.     |
| HOT WATER PER HOUR (max)            | 12 GAL.                  | 45.42 L.     |
| COLD WATER PER HOUR                 | 168 GAL.                 | 636 L.       |
| <b>OPERATING CAPACITY</b>           |                          |              |
| (2-1/2") GLASSES PER HOUR           | 1000                     | -            |
| <b>WATER REQUIREMENTS</b>           |                          |              |
| COLD WATER INLET                    | 1/2"                     | -            |
| HOT WATER INLET                     | 1/2"                     | -            |
| DRAIN CONNECTION                    | 1-1/2"                   | -            |
| <b>TEMPERATURES</b>                 |                          |              |
| INLET COLD WATER                    | 75 °F                    | 24°C         |
| INLET HOT WATER (recommended)       | 140°F                    | 60°C         |
| <b>FRAME DIMENSIONS</b>             |                          |              |
| DEPTH                               | 25-1/8"                  | 63.8CM       |
| WIDTH                               | 25-1/4"                  | 64CM         |
| HEIGHT                              | 39"-40-1/2"              | 99.1-102.8CM |
| MAX CLEARANCE FOR GLASSES           | 11-3/4"                  | 29.8CM       |
| <b>ELECTRICAL</b>                   |                          |              |
|                                     | 208 - 240 VAC<br>20 AMPS |              |
| TANK HEATER<br>(Not Booster Heater) | 3KW                      |              |
| WASH PUMP MOTOR                     | .1HP                     |              |
| <b>SHIPPING WEIGHT</b>              |                          |              |
| GL-C (Approximate)                  | 156#                     | 71 kg        |



## 2.2. GW-100

|                                     |              |             |
|-------------------------------------|--------------|-------------|
| <b>WATER CONSUMPTION</b>            |              |             |
| HOT WATER INITIAL FILL              | 3 GAL.       | 11.35 L.    |
| HOT WATER PER HOUR (max)            | 12 GAL.      | 45.42 L.    |
| COLD WATER PER HOUR                 | 168 GAL.     | 636 L.      |
| <b>OPERATING CAPACITY</b>           |              |             |
| (2-1/2") GLASSES PER HOUR           | 1000         | -           |
| <b>WATER REQUIREMENTS</b>           |              |             |
| COLD WATER INLET                    | 1/2"         | -           |
| HOT WATER INLET                     | 1/2"         | -           |
| DRAIN CONNECTION                    | 1-1/2"       | -           |
| <b>TEMPERATURES</b>                 |              |             |
| INLET COLD WATER                    | 75 °F        | 24°C        |
| INLET HOT WATER (recommended)       | 140°F        | 60°C        |
| <b>FRAME DIMENSIONS</b>             |              |             |
| DEPTH                               | 25-1/8"      | 63.8CM      |
| WIDTH                               | 25-1/4"      | 64CM        |
| HEIGHT                              | 39"- 40-1/2" | 99 -102.8CM |
| MAX CLEARANCE FOR GLASSES           | 11-3/4"      | 29.9CM      |
| <b>ELECTRICAL</b>                   |              |             |
|                                     | 120 VAC      |             |
|                                     | 11 AMPS      |             |
| TANK HEATER<br>(Not Booster Heater) | 1.25KW       |             |
| WASH PUMP MOTOR                     | .1HP         |             |
| <b>SHIPPING WEIGHT</b>              |              |             |
| GW-100 (Approximate)                | 156#         | 71 kg       |

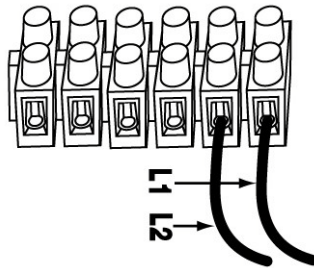


## 3. Installation

### 3.1. *Electrical\**

GLC - a 20 Amp, 208-240 Volt, 60 Hz dedicated circuit should be used to supply electrical power to the GL-C machine (see specification sheet page 3). The power connection with the leads L-1, L-2 and Ground must be such that there is sufficient length of flexible conduit to permit the machine to be moved for cleaning. This machine operates from 208 to 240 Volts.

GW-100 - a 15 Amp, 120 Volt, 60 Hz dedicated circuit should be used to supply electrical power to the GW-100 machine (see specification sheet page 3). The power connection with the leads L-1, L-2 (N) and Ground must be such that there is sufficient length of flexible conduit to permit the machine to be moved for cleaning.



### 3.2. *Plumbing\**

#### **Making Cold Water Connection**

1. Connect a cold 1/2" water line to the cold water solenoid valve and inspect for leaks. Water flow pressure should be between 20-100 PSI.
2. Cold water usage is approximately 2.8 U.S. gpm.
3. Machine is equipped with a mixing valve located between hot and cold solenoid valves. Open until temperature reaches 75°F for areas with very cold rinse water to heat the rinse water which will prevent glasses from cracking.

#### **Making Hot Water Connection**

1. Connect a hot 1/2" water line to the hot water solenoid valve. The temperature must be minimum 140°F/60°C with flow pressure between 20-100 PSI.
2. Hot water usage is approximately 12 U.S. gph.

#### **Making Drain Connection**

1. Connect a 1-1/2" PVC drain line to the bottom of the scrap tank (note: machine is gravity drain)

---

**\*Electrical and plumbing connections must be made by a qualified person who will comply with all available Federal, State, and Local Health, Electrical, Plumbing and Safety codes.**

---

## 4. Operation

---

### 4.1. *Filling of the Wash Tank*

- With overflow drain tube in place in the detergent tank proceed to following.
- Turn power on-off/flush switch to the "ON" position. The water solenoid will activate and fill soap tank until the proper level is reached, also activating heating element.
- Set the thermostat for minimum 140°F/60°C. The wash tank temperature is regulated by heater and thermostat.

### 4.2. *Operation Instructions*

- Open the door; place on-off/flush switch to the "ON" position. The wash tank will begin its automatic fill cycle.
- Verify product containers have chemicals.
- Detergent is fed from the supply container into the detergent tank in controlled amounts by the detergent pump. Use detergent at strength recommended by your chemical supplier.
- Place glasses on the conveyor wheel. Push conveyor rocker switch located on front right side of machine. The conveyor wheel will stop and start with conveyor shut-off rod.

#### 4.2.1. **Proper Chemical Dosage**

The amount of chemical delivered, whether it is detergent, sanitizer or rinse aid, is controlled using the setscrew located on the circuit board attached to the control box.

- For detergent, contact your chemical supplier for proper type and detergent concentration.  
*Note: Detergent pump only operates when hot water tank is filling or when prime switches are activated.*
- Circuit board basic settings are: arrow facing 9:00 for sani and rinse, 12:00 for detergent.

#### **Adjustments To Detergent Pump:**

- When replacement container is installed, push the prime switch in and hold until the detergent feed line is full.
- Securely place overflow drain tube into soap tank and switch power on-off/flush switch to the "ON" position. The detergent dispenser will automatically dispense soap as the soap tank fills with water.
- The quantity of product can be regulated at the circuit board using the setscrew.

#### **Adjustments To Sanitizer Pump:**

- Follow same procedures as detergent for priming chemical.
- Push conveyor rocker switch located on the front of the machine. Place sanitizer test strip under the final rinse and read for proper level.
- The quantity of product can be controlled at the sani circuit board set screw.

*Note: Use chlorine test papers to verify and monitor the 50ppm chlorine level*

## Adjustments To Rinse Agent Pump:

- Follow same procedures as detergent for priming chemical.
- Cycle glasses through machine and verify rinse agent is feeding properly. Increase rinse aid as necessary by turning up or down circuit set screw.
- Basic circuit board setting is 9:00.

**Note:** To meet standards set by NSF, chlorine at 50ppm must be used in the final rinse.

## 4.3. Cleaning Instructions

### 4.3.1. Highly Recommended Daily Cleaning Instructions

Remove optional GLC drain tray & waste collector from the front of your glasswasher and clean thoroughly.

Turn power switch off behind front service door.

Remove all trays, screens and curtains. Wash, rinse them thoroughly and allow to dry.

Move shut-off rod to side and remove conveyor hub and wheel from machine.

Remove and clean wash and rinse arms. Wash tube brush and jet reamer supplied for cleaning of arms.

**CAUTION: Do not twist spray arms, pull straight out or they will break**

Install wash and rinse arms (Wash and rinse arms are different .The receiver arm sockets are molded differently to prevent placing arms in wrong location).

Use reverse procedures for placing conveyor wheel and hub back into position.

*Note: conveyor motor can be pulled to the side as your placing wheel into position. Open front access door and pull conveyor motor toward you as seat the conveyor wheel into position.*

Place conveyor hub in center of conveyor, align shut-off rod to normal position. Install left and right trays, making sure shut-off rod is positioned between guide brackets. Install curtains into their holders.

Upper and lower wash tank screens should be removed and cleaned thoroughly.

Pull the drain tube from the soap tank and clean the tank.

Insert overflow drain tube and wash tank screens back to appropriate placement.

Reattach optional GLC waste collection assembly.

Check product levels and close front service door.

### 4.3.2. Weekly Cleaning Instructions

Remove upper and lower wash and rinse arms from their spray bases, remove end plugs, and clean spray tubes with Cleaning Drill p/n 00899.01, Cleaning Brush p/n 00899.02 provided.



## 5. Troubleshooting

| PROBLEM   | LIKELY CAUSE                                       | SOLUTION   |
|---|--|--|
| The soap tank water temperature low                   | Thermostat malfunction                             | Replace  |
|   | Thermostat set too low                             | Turn thermostat up   |
|   | Bad heater   | Replace  |
|   | Float switch malfunction                           | Remove and replace   |
|   | Water supplied to machine low                      | Must provide 140°F   |
| Low or no pressure in rinse spray arms                | Rinse spray arms dirty                             | Clean spray arms with cleaning drill and brush provided              |
|   | Shut-off valve on supply line may be closed        | Open valve   |
|   | Spray arm pressure low                             | Minimum 20-100PSI flow pressure required                             |
| No rinse arm water                                    | Rinse solenoid valve non-operational               | Check coil<br>Check and install rebuild kit<br>Replace if necessary  |
|   | Solenoid valve strainer or restrictor disc plugged | Remove screen and clean- replace or clean flow restrictor            |
| Product containers filling with water                 | Plugged rinse arms                                 | Clean  |
|   | Worn flow restrictor in solenoid valve             | Replace  |
| No chemical being dispensed                           | Empty product in containers                        | Refill containers  |
|   | Chemical lines plugged                             | Flush lines with hot water and condition of chemical                 |
|   | Strainer on pick-up tube plugged                   | Clean with hot water   |
|   | Circuit board setting too low                      | Increase by turning clockwise while machine is running/filling       |
|   | No power to pump                                   | Check LED signal, all electrical connections                         |
|   | Pump motor or circuit board defective              | Replace pump motor or circuit board                                  |
| Soap tank continues to fill with water with power off | Leaking solenoid valve diaphragm.                  | Inspect and clean seat<br>Replace diaphragm kit<br>Install new valve |

# Maintenance

| PROBLEM   | LIKELY CAUSE   | SOLUTION   |
|---|--|--|
| Moisture, condensation, wet areas behind service door | Pump seal leaking  | Replace  |
|   | Detergent tank drain screen plugged                                      | Clean  |
|   | Primary drain plugged  | Clean  |
|   | Rinse water drain line backing up  | Clear obstruction, clean machine   |
|   | Return screen in soap detergent tank plugged                             | Clean  |
|   | Covers on detergent tank are not installed properly causing condensation | Position all top covers to completely cover top of tank  |
| Wheel not turning                                     | Power off at circuit breaker   | Reset circuit breaker  |
|   | Drive motor defective  | Replace  |
|   | Micro switch on switch support bracket faulty or not making contact      | Replace or make adjustment to switch   |
|   | Conveyor not engaged with drive gear                                     | Position properly.   |
| Low or no pressure coming from wash arms              | No or low water in soap tank   | Check water supply<br>Check tank stand pipe position<br>Check that fill switch is in On-Fill position and that tank fills with water<br>Check float switch operation<br>Check hot fill solenoid is operational |
|   | Obstruction in wash arm  | Clear obstruction  |
|   | Wash Pump not running  | Check power supply<br>Check pump capacitor<br>Replace pump   |
|   | Pump running but no pressure to wash arms.                               | Inspect the impeller<br>Replace if needed  |
| Water spraying out conveyor entrance                  | Spray arms not locked in place   | Spray arms must be pushed firmly on to hub connection on spray base  |
|   | Spray arms plugged   | Clear and clean with cleaning drill, scraper, and brush  |
|   | Splash curtain not in position   | Install or adjust  |
|   | Machine in operation without any glasses on conveyor                     | Operate machine with a full load of glasses  |

## 6. Parts Manual

### 6.1. GLC Initial Parts Kit p/n 1100.47

| P/N       | DESCRIPTION                      | Qty |
|-----------|----------------------------------|-----|
| *00120.00 | Thermometer (Bi Metal)           | 1   |
| 00201.47  | Wash Pump                        | 1   |
| 00308.47  | Spray Arm End Plug               | 3   |
| 00421.47  | Conveyor Rocker Switch           | 1   |
| 00472.47  | Conveyor Shut Off Switch         | 1   |
| *00631.05 | Ice Cube Relay 220V, 12A         | 1   |
| 00631.47  | Ice Cube Relay 220V, 20A         | 1   |
| 00715.47  | 3/8" Check Valve                 | 1   |
| 00810.47  | Drive Motor 208-240V             | 1   |
| 00811.47  | Drive Motor Spring               | 1   |
| 00815.00  | Peri Pump Complete               | 1   |
| 00820.00  | Peri Pump Circuit Board          | 1   |
| 00821.30  | Transformer 220 V                | 1   |
| 00839.00  | Squeeze Tube w/conn.             | 3   |
| 00899.01  | Cleaning Drill                   | 1   |
| 00899.02  | Cleaning Brush                   | 1   |
| 03470.47  | Power on-off/ Flush Switch       | 1   |
| *03475.00 | Primer Switch - Push Button      | 1   |
| *03623.00 | 1/2 Vac Breaker Repair Kit Watts | 1   |
| 13415.47  | Heater 3kW                       | 1   |
| *13417.92 | Heater Thermostat (EGO)          | 1   |
| 13418.47  | Auto-Fill Timer 220V             | 1   |
| *13605.00 | Pressure Gauge                   | 1   |
| 13703.47  | Curtain – Full Size              | 1   |
| 13703.57  | Curtain – Half Size              | 1   |
| 41015.70  | Solenoid Valve 3/8" 220V         | 1   |

**NOTE: Important! CMA recommends that the initial parts kit be purchased immediately and kept on hand as a back up supply of critical parts in the event your machine should require emergency service.**

**All the parts included in this kit are unique to the GL-C glasswasher (except those with \*).**

## 6.2. GW-100 Initial Parts Kit p/n 1100.49

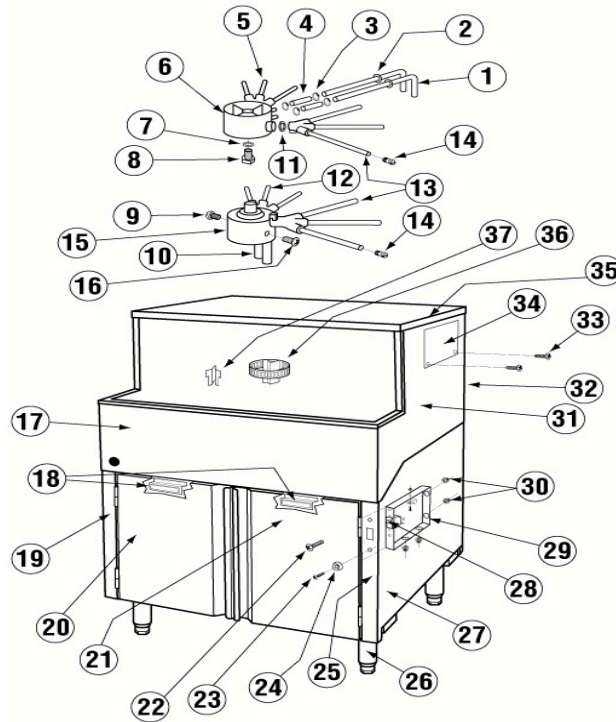
| P/N       | DESCRIPTION                      | Qty |
|-----------|----------------------------------|-----|
| *00120.00 | Thermometer (Bi Metal)           | 1   |
| 00201.49  | Wash Pump                        | 1   |
| 00308.47  | Spray Arm End Plug               | 3   |
| 00421.47  | Conveyor Rocker Switch           | 1   |
| 00472.47  | Conveyor Shut Off Switch         | 1   |
| *00631.00 | Ice Cube Relay 120V, 12A         | 1   |
| 00631.49  | Ice Cube Relay 120V, 20A         | 1   |
| 00715.47  | 3/8" Check Valve                 | 1   |
| 00810.49  | Drive Motor 120V                 | 1   |
| 00811.47  | Drive Motor Spring               | 1   |
| 00815.00  | Peri Pump Complete               | 1   |
| 00820.00  | Peri Pump Circuit Board          | 1   |
| 00821.30  | Transformer 120V                 | 1   |
| 00839.00  | Squeeze Tube w/conn.             | 3   |
| 00899.01  | Cleaning Drill                   | 1   |
| 00899.02  | Cleaning Brush                   | 1   |
| 03470.47  | Power on-off/ Flush Switch       | 1   |
| *03475.00 | Primer Switch - Push Button      | 1   |
| *03623.00 | 1/2 Vac Breaker Repair Kit Watts | 1   |
| 15417.30  | Heater 1250 Watt                 | 1   |
| *13417.89 | Heater Thermostat (EGO)          | 1   |
| 13418.49  | Auto-Fill Timer 120V             | 1   |
| *13605.00 | Pressure Gauge                   | 1   |
| 13703.47  | Curtain – Full Size              | 1   |
| 13703.57  | Curtain – Half Size              | 1   |
| 41015.49  | Solenoid Valve 3/8" 120V         | 1   |

**NOTE: Important! CMA recommends that the initial parts kit be purchased immediately and kept on hand as a back up supply of critical parts in the event your machine should require emergency service.**

All the parts included in this kit are unique to the GW-100 glasswasher (except those with \*).

## 6.3. Exploded View Drawings

### 6.2.1. Main Assembly

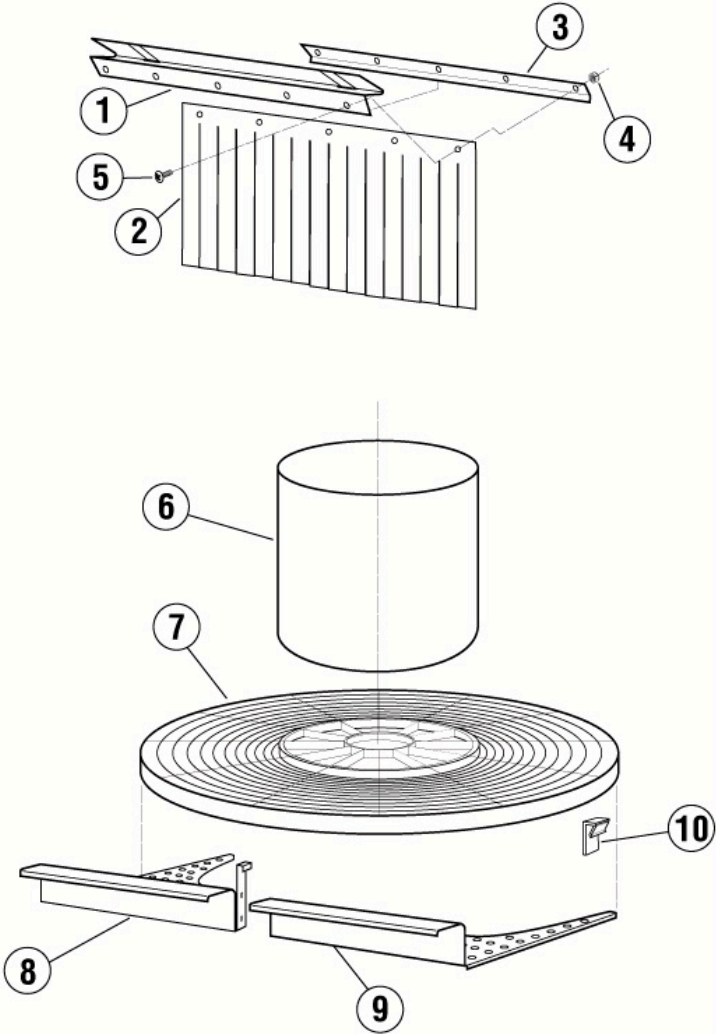


| ITEM NO. | NO. REQ'D | P/N      | DESCRIPTION                 |
|----------|-----------|----------|-----------------------------|
| 1        | 2         | 05004.00 | Upper Spray Base Inlet Tube |
| 2        | 2         | 14754.10 | Grommet                     |
| 3        | 4         | 03101.47 | Clamp #6                    |
| 4        | 1         | 03106.47 | Braided Hose 3/8"           |
| 5        | 1         | 14755.00 | Wash Arm                    |
| 6        | 1         | 14752.00 | Upper Spray Base            |
| 7        | 1         | 00924.00 | Washer, 1/4"                |
| 8        | 1         | 00910.00 | Bolt, 1/4-20 x 1 1/2"       |
| 9        | 4         | 00940.60 | Screw, 10-32 x 3/8"         |
| 10       | 1         | 14756.00 | Lower Spray Base Inlet Tube |
| 11       | 4         | 14752.10 | Spray Base "O" Ring         |
| 12       | 1         | 14755.00 | Wash Arm                    |
| 13       | 2         | 14754.00 | Rinse Arm                   |
| 14       | 6         | 00308.47 | Spray Arm End Plug          |
| 15       | 1         | 14753.00 | Lower Spray Base            |
| 16       | 2         | 00940.50 | Screw, 10-32 x 3/8"         |
| 17       | 1         | 16302.50 | Face Trim                   |
| 18       | 2         | 00812.47 | Magnetic Door Catch         |
| 19       | 1         | 16302.65 | Front Pillar (Left Hand)    |
| 20       | 1         | 16306.00 | Left Door                   |

\*Not shown.

| ITEM NO. | NO. REQ'D | P/N      | DESCRIPTION                         |
|----------|-----------|----------|-------------------------------------|
| 21       | 1         | 16306.50 | Right Door                          |
| 22       | 2         | 00940.50 | Screw, 10-32 x 3/8"                 |
| 23       | 1         | 00941.00 | 10-32 X 5/8 Panhead Screw           |
| 24       | 1         | 00421.45 | Switch Bumper                       |
| 25       | 1         | 16402.60 | Front Pillar (Right Hand) 2" taller |
| 26       | 4         | 01146.00 | Leg 6-1/2"- Thread                  |
| 27       | 1         | 16331.00 | Base                                |
| 28       | 1         | 00421.47 | Conveyor Rocker Switch              |
| 29       | 1         | 16514.50 | Conveyor Switch Box                 |
| 30       | 4         | 00438.00 | Snap Bushing Universal 875-11       |
| 31       | 1         | 16302.00 | Side Panel Wrap                     |
| 32       | 1         | 16330.00 | Wash Tank Assy.                     |
| 33       | 4         | 00940.60 | Screw, 10-32 x 3/8"                 |
| 34       | 1         | 16510.50 | Vacuum Breaker Access Cover         |
| 35       | 1         | 16513.00 | Top Panel                           |
| 36       | 1         | 16571.20 | Deflector Screen (Rinse)            |
| 37       | 1         | 16571.00 | Drain Deflector (Wash)              |
| 38       | 1         | 16530.50 | Tank Support Bracket *              |
| 39       | 1         | 00860.01 | Moisture Pad 10 x 23 *              |
| 40       | 1         | 00860.02 | Moisture Pad 3 x 23 *               |
| 41       | 1         | 00860.03 | Moisture Pad 10 x 12 *              |

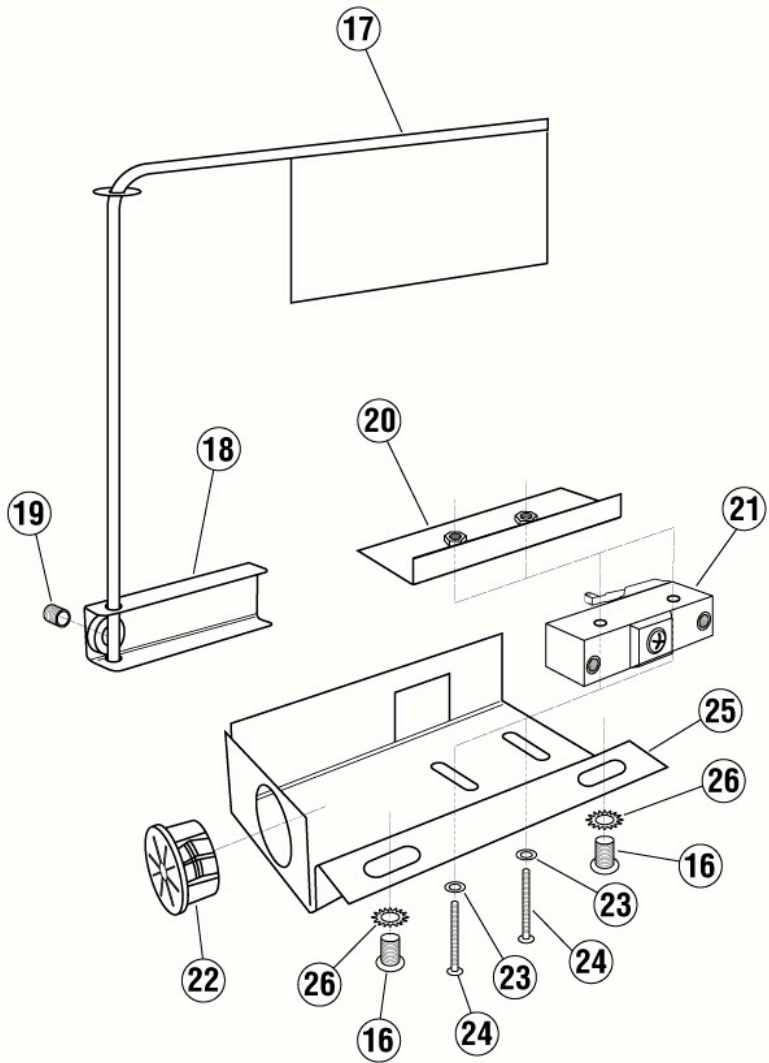
## 6.2.2. Conveyor Wheel / Curtain



| ITEM NO. | NO. REQ'D | P/N      | DESCRIPTION        |
|----------|-----------|----------|--------------------|
| 1        | 1         | 16505.00 | Curtain Support    |
| 2        | 1         | 13703.47 | Curtain            |
| 3        | 1         | 16505.10 | Curtain Clamp      |
| 4        | 8         | 00927.00 | Nut, 8-32          |
| 5        | 8         | 00911.50 | Screw, 8-32 x 3/8" |

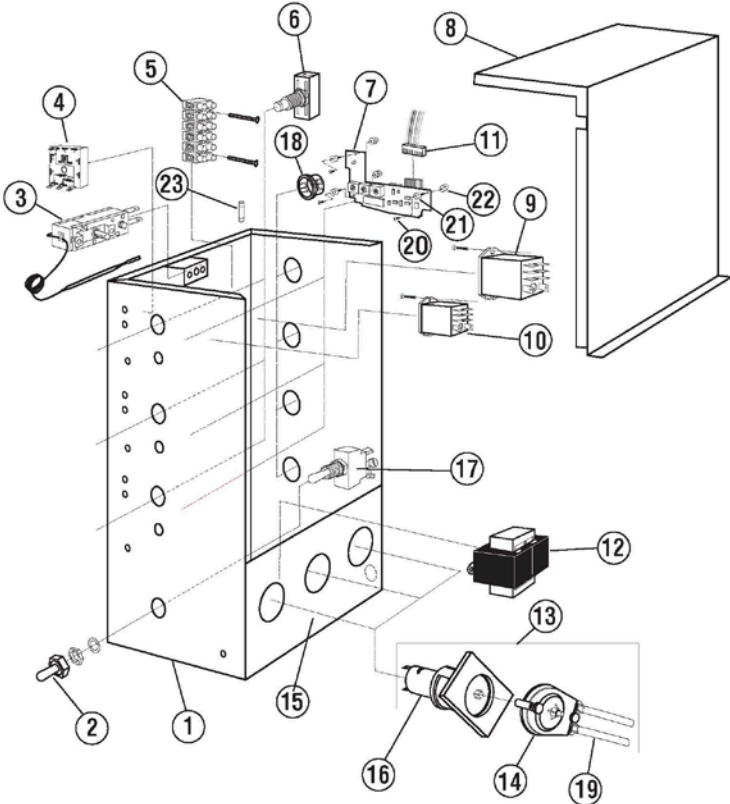
| ITEM NO. | NO. REQ'D | P/N      | DESCRIPTION            |
|----------|-----------|----------|------------------------|
| 6        | 1         | 16451.00 | Conveyor Hub 2" taller |
| 7        | 1         | 14750.00 | Conveyor Turntable     |
| 8        | 1         | 16350.50 | Tray- Left             |
| 9        | 1         | 16350.00 | Tray- Right            |
| 10       | 4         | 14750.10 | Turntable Glide Block  |

## 6.2.3. Conveyor Shut-Off Rod Assembly



|    |   |          |                                 |
|----|---|----------|---------------------------------|
| 16 | 2 | 00940.50 | Truss Head Screw 10-32 x 3/8"   |
| 17 | 1 | 16320.00 | Shut-off Rod                    |
| 18 | 1 | 16521.00 | Activator                       |
| 19 | 1 | 00935.00 | Socket Set Screw, 1/4-20 x 1/4" |
| 20 | 1 | 16514.30 | Nut Plate                       |
| 21 | 1 | 00472.47 | Conveyor Shut Off Switch        |
| 22 | 1 | 00438.00 | Snap Bushing Universal 875-11   |
| 23 | 2 | 04806.00 | #10 Brass Washer                |
| 24 | 2 | 01001.00 | Pan Head Screw 6-32 x 1"        |
| 25 | 1 | 16514.00 | Conveyor Shut Off Switch Brack. |
| 26 | 2 | 03814.10 | 10-32 Lock Star Washer          |

## 6.2.4. GLC Control Box Assembly P/N 18612.49



| ITEM NO. | NO. REQ'D | P/N      | DESCRIPTION                 |
|----------|-----------|----------|-----------------------------|
| 1        | 1         | 16403.00 | GLC/GW-100 Control Box      |
| 2        | 1         | 00470.10 | Toggle Switch Rubber Boot   |
| 3        | 3         | 13417.92 | Heater Thermostat (EGO)     |
| 4        | 1         | 13418.47 | Auto- Fill Timer 220V       |
| 5        | 1         | 00454.06 | Power Block 6 Position      |
| 6        | 3         | 03475.00 | Primer Switch - Push Button |
| 7        | 3         | 00820.00 | Peri Pump Circuit Board     |
| 8        | 1         | 16504.00 | Control Box Lid             |
| 9        | 1         | 00631.47 | Ice Cube Relay 220V, 20A    |
| 10       | 2         | 00631.05 | Ice Cube Relay 220V, 12A    |
| 11       | 3         | 00820.20 | Circuit Board Connector     |
| 12       | 1         | 00821.30 | Transformer 220V            |

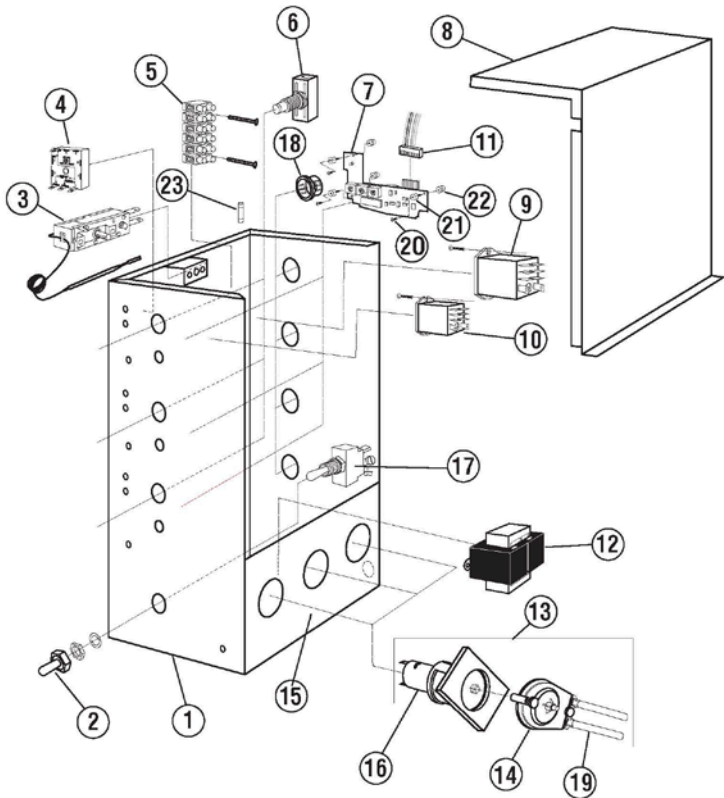
| ITEM NO. | NO. REQ'D | P/N      | DESCRIPTION                   |
|----------|-----------|----------|-------------------------------|
| 13       | 1         | 00815.00 | Peri Pump Complete            |
| 14       | 1         | 00818.00 | Peri Pump Cover               |
| 15       | 1         | 16515.00 | Peri Pump Panel               |
| 16       | 1         | 00816.00 | Peri Pump Gear Motor          |
| 17       | 1         | 03470.47 | Power on-off/ Flush Switch    |
| 18       | 4         | 00438.00 | Snap Bushing Universal 875-11 |
| 19       | 1         | 00839.00 | GLC Squeeze Tube w/ conn.     |
|          | 2         | 00835.30 | GL-C Squeeze Tube - Black     |
| 20       | 3         | 03826.47 | 4-40x3/16 Pan Head Screw      |
| 21       | 3         | 00820.06 | Circuit Board Stand off       |
| 22       | 3         | 00820.07 | Circuit Board Stand -off Cap  |
| 23       | 2         | 13403.26 | Fuse 3 Amp, 220V Slow Blow    |

Not shown 820.10 Circuit Board Spacer Large, and 821.11 Circuit Board Spacer Small



# Parts Manual

## 6.2.5. GW-100 Control Box Assembly P/N 18611.47

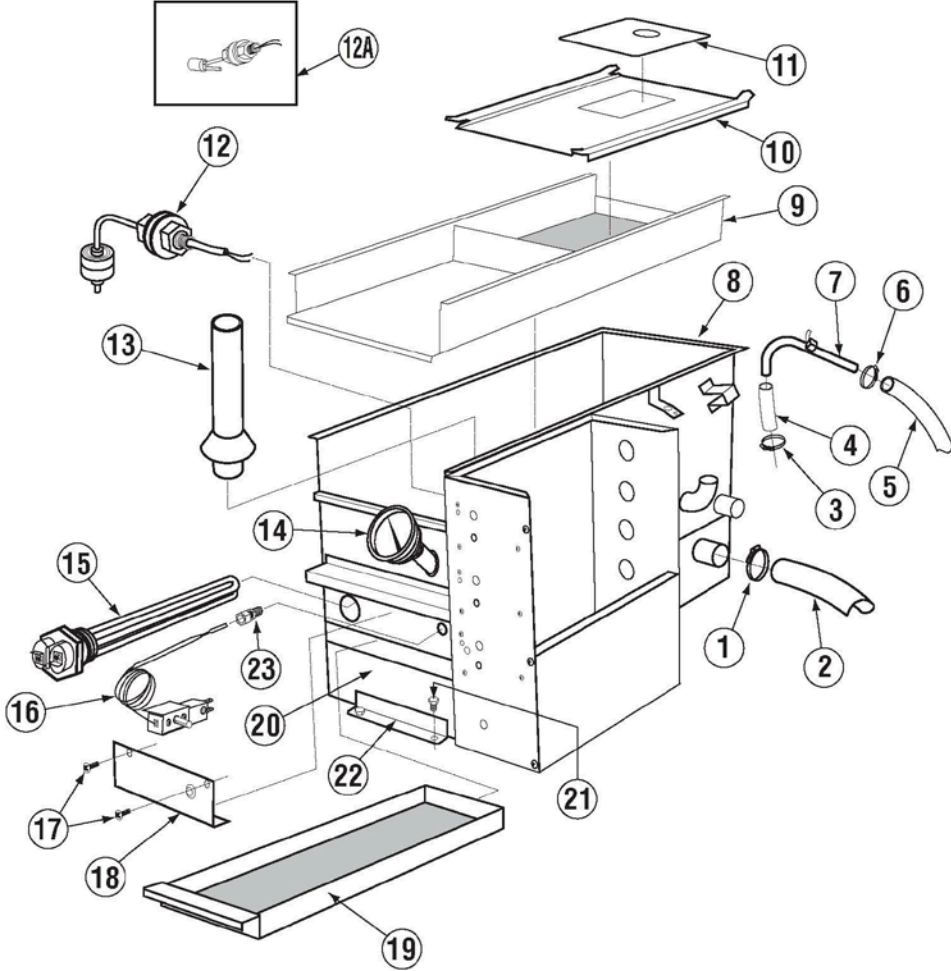


| ITEM NO. | NO. REQ'D | P/N      | DESCRIPTION                 |
|----------|-----------|----------|-----------------------------|
| 1        | 1         | 16403.00 | GLC/GW-100 Control Box      |
| 2        | 1         | 00470.10 | Toggle Switch Rubber Boot   |
| 3        | 3         | 13417.92 | Heater Thermostat (EGO)     |
| 4        | 1         | 13418.47 | Auto- Fill Timer 220V       |
| 5        | 1         | 00454.06 | Power Block 6 Position      |
| 6        | 3         | 03475.00 | Primer Switch - Push Button |
| 7        | 3         | 00820.00 | Peri Pump Circuit Board     |
| 8        | 1         | 16504.00 | Control Box Lid             |
| 9        | 1         | 00631.47 | Ice Cube Relay 220V, 20A    |
| 10       | 2         | 00631.05 | Ice Cube Relay 220V,12A     |
| 11       | 3         | 00820.20 | Circuit Board Connector     |
| 12       | 1         | 00821.30 | Transformer 220V            |

| ITEM NO. | NO. REQ'D | P/N      | DESCRIPTION                   |
|----------|-----------|----------|-------------------------------|
| 13       | 1         | 00815.00 | Peri Pump Complete            |
| 14       | 1         | 00818.00 | Peri Pump Cover               |
| 15       | 1         | 16515.00 | Peri Pump Panel               |
| 16       | 1         | 00816.00 | Peri Pump Gear Motor          |
| 17       | 1         | 03470.47 | Power on-off/ Flush Switch    |
| 18       | 4         | 00438.00 | Snap Bushing Universal 875-11 |
| 19       | 1         | 00839.00 | GLC Squeeze Tube w/ conn.     |
|          | 2         | 00835.30 | GL-C Squeeze Tube - Black     |
| 20       | 3         | 03826.47 | 4-40x3/16 Pan Head Screw      |
| 21       | 3         | 00820.06 | Circuit Board Stand off       |
| 22       | 3         | 00820.07 | Circuit Board Stand-off Cap   |
| 23       | 2         | 13403.26 | Fuse 3 Amp, 220V Slow Blow    |

Not shown 820.10 Circuit Board Spacer Large, and 821.11 Circuit Board Spacer Small

## 6.2.5. Soap Tank Assembly

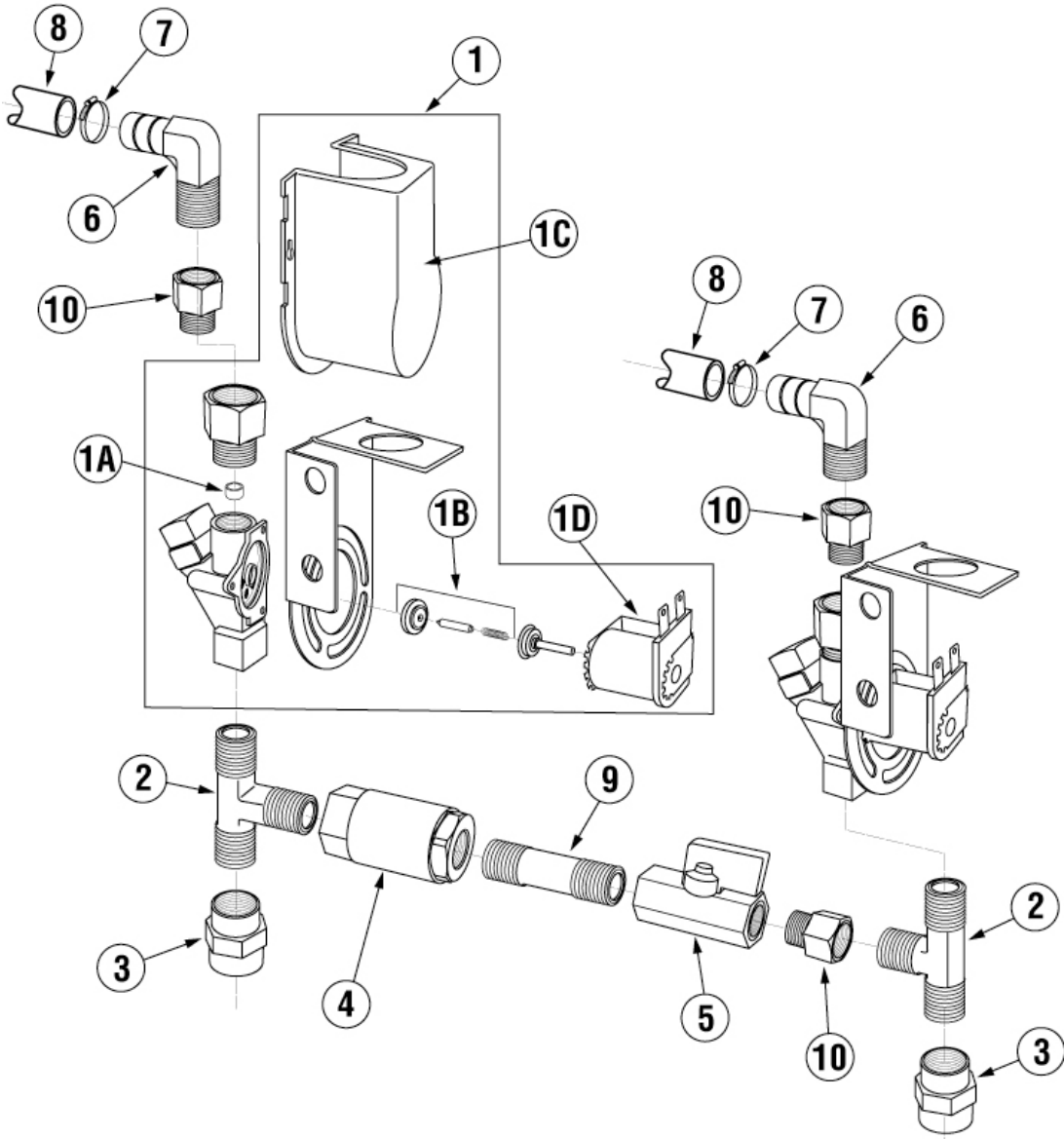


| ITEM NO. | NO. REQ'D | P/N      | DESCRIPTION                  |
|----------|-----------|----------|------------------------------|
| 1        | 1         | 03101.49 | Hose Clamp #24               |
| 2        | 1         | 03106.40 | Ribbed Drain Hose 1 1/2" ID  |
| 3        | 1         | 03101.00 | Hose Clamp # 16 - 1"         |
| 4        | 1         | 03108.60 | Transfer Hose 1" Reinforced  |
| 5        | 1         | 03106.45 | Braided Hose 1/2"            |
| 6        | 1         | 03101.47 | Hose Clamp #6                |
| 7        | 1         | 05012.00 | 1/2 Cu Ref Tubing (Per Foot) |
| 8        | 1         | 16541.00 | Detergent tank               |
| 9        | 1         | 16544.00 | Detergent Tank Screen        |
| 10       | 1         | 16543.00 | Detergent Tank Rear Cover    |
| 11       | 1         | 16542.00 | Detergent Tank Lid           |
| 12       | 1         | 13465.50 | Float Switch                 |
| 12A      | 1         | 13463.10 | S/S Liquid Level Switch *    |

| ITEM NO. | NO. REQ'D | P/N      | DESCRIPTION                        |
|----------|-----------|----------|------------------------------------|
| 13       | 1         | 16545.50 | Overflow Drain Tube                |
| 14       | 1         | 00120.00 | Thermometer Bi Metal               |
| 15       | 1         | 13415.47 | GLC Screw Plug Heater 3KW          |
|          |           | 15417.30 | GW-100 Heater 1250 W, 120V         |
| 16       | 1         | 13417.92 | Heater Thermostat (EGO)            |
| 17       | 2         | 00940.50 | 10-32 X 3/8" Truss Head Screw      |
| 18       | 1         | 16522.00 | Heater Cover                       |
| 19       | 1         | 16579.20 | Drain Screen                       |
| 20       | 1         | 16579.00 | Drain Pan                          |
| 21       | 2         | 00906.00 | 1/4-20 X 1/2" Hexhead Bolt         |
| 22       | 1         | 16530.50 | Tank Support                       |
| 23       | 1         | 40116.00 | 1/4 Comp X 1/4 MIP Ftg (not shown) |

\*12A used in the machines built prior to March 2010. Both 12 and 12A must be pointed down (normally closed position) in order to function properly

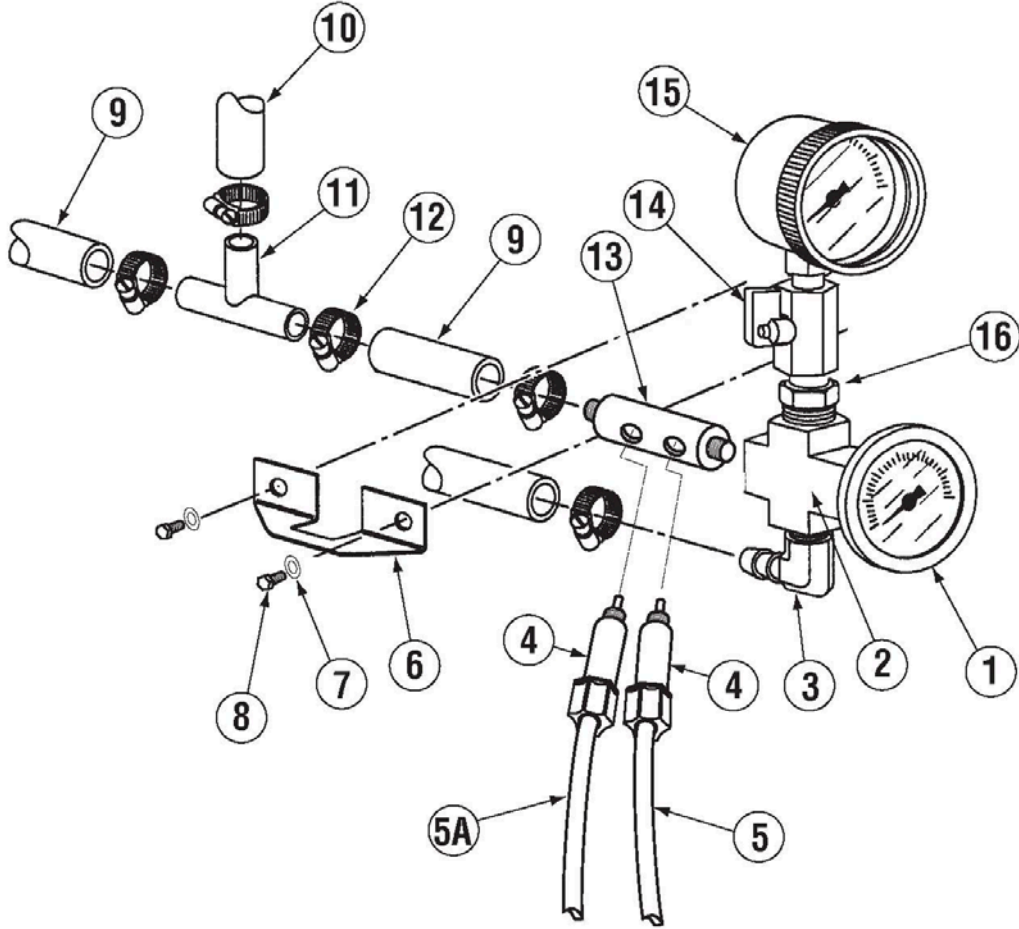
## 6.2.6. Water Inlet Plumbing



| ITEM NO. | NO. REQ'D | P/N      | DESCRIPTION                    |
|----------|-----------|----------|--------------------------------|
| 1        | 2         | 41015.70 | Solenoid Valve 3/8" 220V       |
|          |           | 41015.49 | Solenoid Valve 3/8" 115V       |
| 1A       | 2         | 41015.77 | Flow Washer                    |
| 1B       | 2         | 41015.40 | 3/8" Solenoid Valve Repair Kit |
| 1C       | 2         | N/A      | 3/8" Solenoid Valve Cover      |
| 1D       | 2         | 41015.75 | 3/8" Solenoid Valve Coil 220V  |
|          |           | 41015.60 | 3/8" Solenoid Valve Coil 115V  |
| 2        | 2         | 40010.00 | 3/8" MPT Tee                   |

| ITEM NO. | NO. REQ'D | P/N      | DESCRIPTION                |
|----------|-----------|----------|----------------------------|
| 3        | 2         | 40017.00 | 1/2 x 3/8" FPT Reducer     |
| 4        | 1         | 00715.47 | 3/8" Check Valve           |
| 5        | 1         | 41014.49 | 3/8" Ball Valve            |
| 6        | 2         | 40012.10 | 1/2 Barb x 3/8" MIP Elbow  |
| 7        | 2         | 03101.47 | Hose Clamp #6              |
| 8        | 1         | 03106.45 | Braided Hose 1/2"          |
| 9        | 1         | 40019.00 | Nipple Brass 3/8 x 2 1/2   |
| 10       | 3         | 40012.47 | Adapter 3/8"FPT X 3/8" MIP |

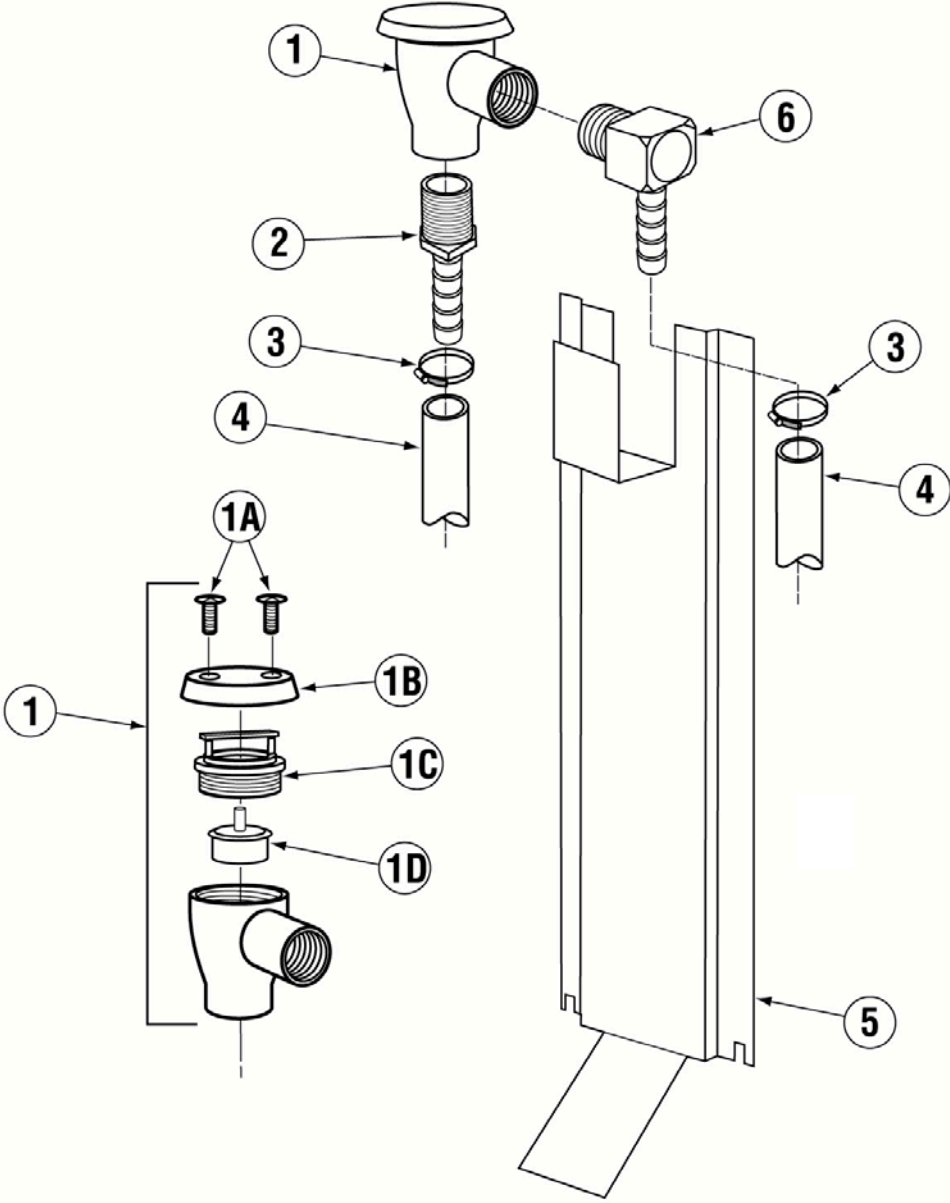
## 6.2.7. Sanitizer Plumbing Component Hardware



| ITEM NO. | NO. REQ'D | P/N      | DESCRIPTION                   |
|----------|-----------|----------|-------------------------------|
| 1        | 1         | 00120.01 | Thermometer                   |
| 2        | 2         | 40011.00 | 3/8" FPT Cross Connector      |
| 3        | 1         | 40012.10 | 3/8" MPT x 1/2" 90° Hose Barb |
| 4        | 2         | 13658.00 | Chemical Check Valve          |
| 5        | 1         | 00425.51 | Chemical Tubing Blue          |
| 5A       | 1         | 00425.54 | Chemical Tubing White         |
| 6        | 1         | 16526.00 | Gauge Bracket                 |
| 7        | 2         | 00924.00 | Lock Washer, 1/4              |
| 8        | 2         | 00912.00 | Nut, 1/4-20                   |

| ITEM NO. | NO. REQ'D | P/N      | DESCRIPTION                |
|----------|-----------|----------|----------------------------|
| 9        | 1         | 03106.45 | 1/2" I.D. Braided Hose     |
| 10       | 1         | 03106.47 | 3/8" I.D. Braided Hose     |
| 11       | 1         | 00434.49 | 1/2 x 1/2 x 3/8" Tee       |
| 12       | 5         | 03101.47 | 7/16" Gear Clamp           |
| 13       | 1         | 13699.47 | Mixing Chamber             |
| 14       | 1         | 41014.47 | 1/4"MxF Mini Ball Valve    |
| 15       | 1         | 13605.00 | 0-30 PSI Pressure Gauge    |
| 16       | 1         | 40015.00 | 3/8 x 1/4" Reducer Bushing |

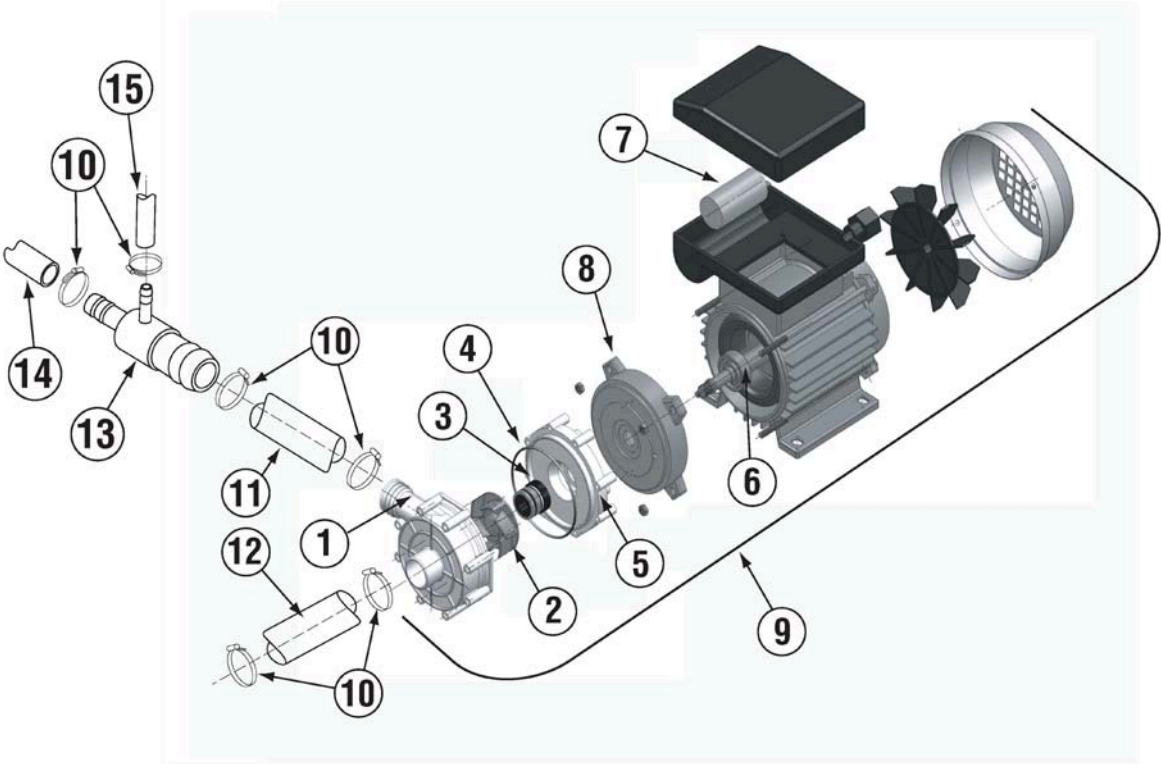
## 6.2.8. Vacuum Breaker and Hardware



| ITEM NO. | NO. REQ'D | P/N      | DESCRIPTION                    |
|----------|-----------|----------|--------------------------------|
| 1        | 1         | 03624.00 | 1/2" Vacuum Breaker            |
| 1A       | 2         | 00421.51 | 6-32 x 1/4" SS Panhead Screw   |
| 1B       | 1         | 00739.50 | Vacuum Breaker Cap             |
| 1C       | 1         | 03624.25 | 1/2" Vacuum Breaker Bonnet     |
| 1D       | 1         | 03623.00 | 1/2" Vacuum Breaker Repair Kit |

| ITEM NO. | NO. REQ'D | P/N      | DESCRIPTION                      |
|----------|-----------|----------|----------------------------------|
| 2        | 1         | 40014.00 | 1/2" MPT x 1/2" Hose Barb        |
| 3        | 2         | 03101.47 | 7/16" Clamp                      |
| 4        | 1         | 03106.45 | 1/2" I.D. Braided Hose           |
| 5        | 1         | 16410.00 | Vacuum Breaker Support 2" taller |
| 6        | 1         | 40013.00 | 1/2 Barb x 1/2 MPT 90deg Ell     |

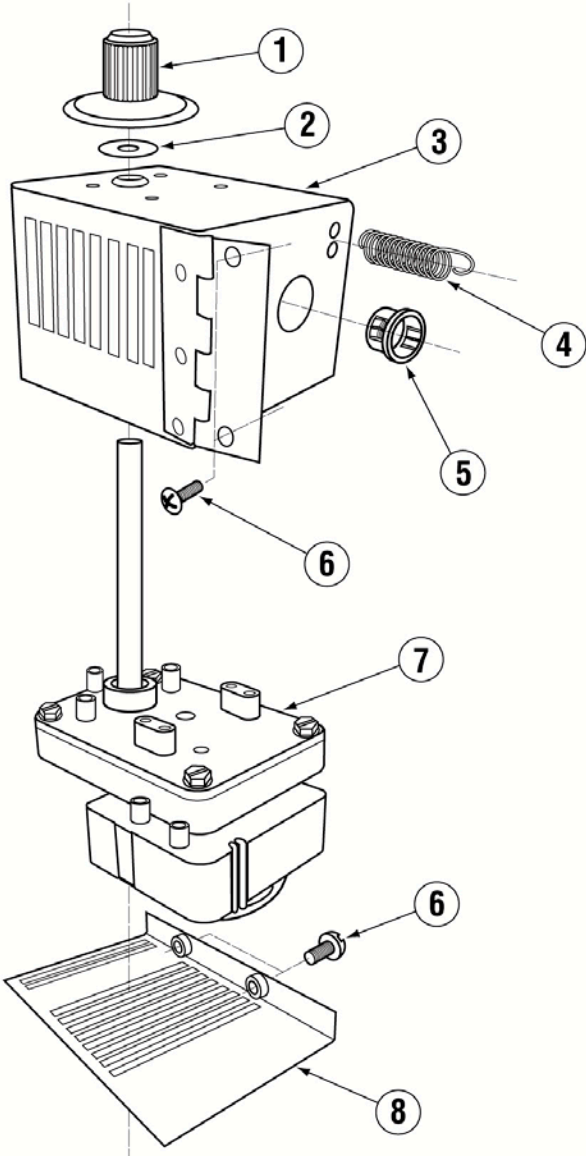
## 6.2.9. Wash Pump Assembly



| ITEM NO. | NO. REQ'D | P/N      | DESCRIPTION |
|----------|-----------|----------|-------------|
| 1        | 1         | 13503.70 | Pump Head   |
| 2        | 1         | 13503.71 | Impeller    |
| 3        | 1         | 13503.72 | Seal Kit    |
| 4        | 1         | 13503.73 | Pump O-Ring |
| 5        | 1         | 13503.74 | Back Plate  |
| 6        | 1         | N/A      | Motor       |
| 7        | 1         | 13503.76 | Capacitor   |
| 8        | 1         | 13503.77 | Cover       |

| ITEM NO. | NO. REQ'D | P/N      | DESCRIPTION               |
|----------|-----------|----------|---------------------------|
| 9        | 1         | 13503.60 | GLC Pump - 1ph 240v, 60HZ |
|          | 1         | 00201.44 | GW-100 Pump – 1ph 115V    |
| 10       | 4         | 03101.00 | Hose Clamp # 16 1"        |
| 11       | 1         | 03108.66 | Transfer Hose 1" – 35"    |
| 12       | 1         | 03108.65 | Transfer Hose 1" – 3-1/2" |
| 13       | 1         | 00434.47 | Pump Hose Adapter         |
| 14       | 1         | 03106.45 | ½" Braided Hose           |
| 15       | 1         | 03106.47 | 3/8" Braided Hose         |

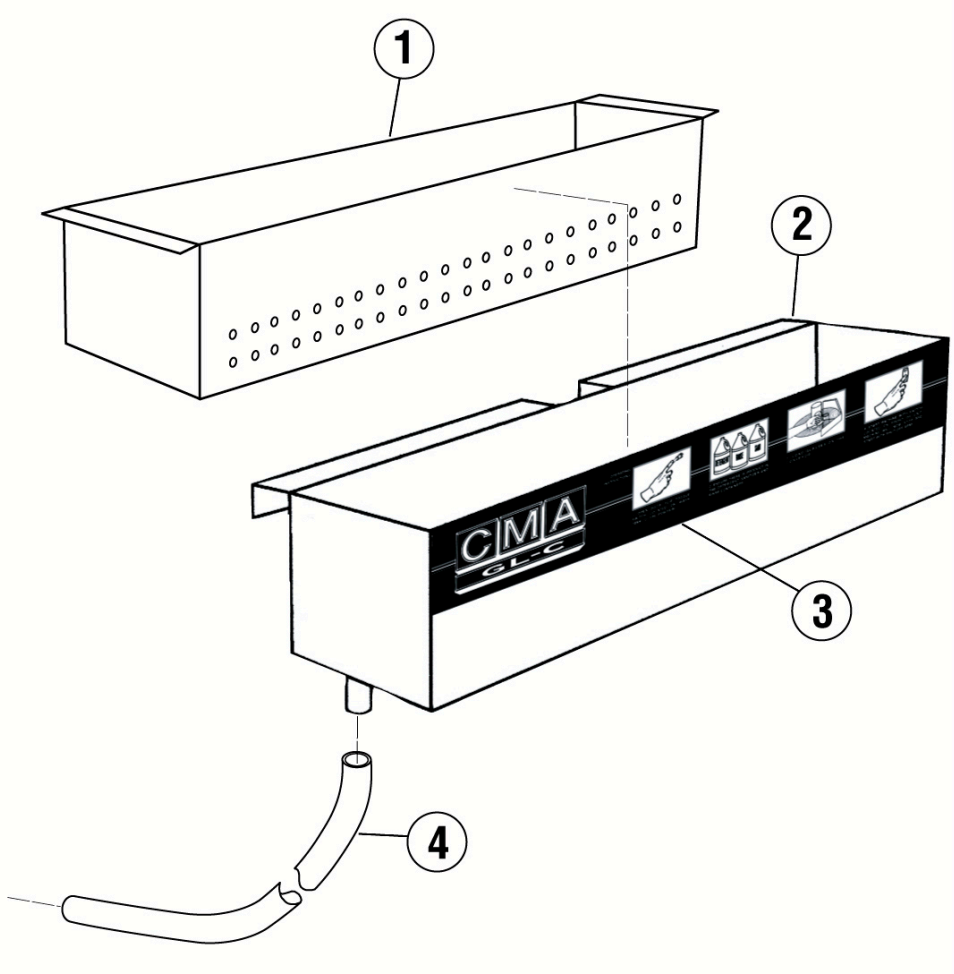
## 6.2.10. Conveyor Drive Assembly



| ITEM NO. | NO. REQ'D | P/N      | DESCRIPTION                   |
|----------|-----------|----------|-------------------------------|
| 1        | 1         | 14751.00 | Drive Gear                    |
| 2        | 1         | 00104.83 | VA Drain Motor Shaft Gasket   |
| 3        | 1         | 16570.50 | Drive Motor Housing           |
| 4        | 1         | 00811.47 | Extension Spring              |
| 5        | 1         | 00438.00 | Snap Bushing Universal 875-11 |

| ITEM NO. | NO. REQ'D | P/N      | DESCRIPTION               |
|----------|-----------|----------|---------------------------|
| 6        | 4         | 00940.50 | Screw, 10-32 x 3/8"       |
| 7        | 1         | 00810.47 | Drive Motor 220V          |
|          |           | 00810.49 | Drive Motor 115V          |
| 8        | 1         | 16570.60 | Drive Motor Housing Cover |

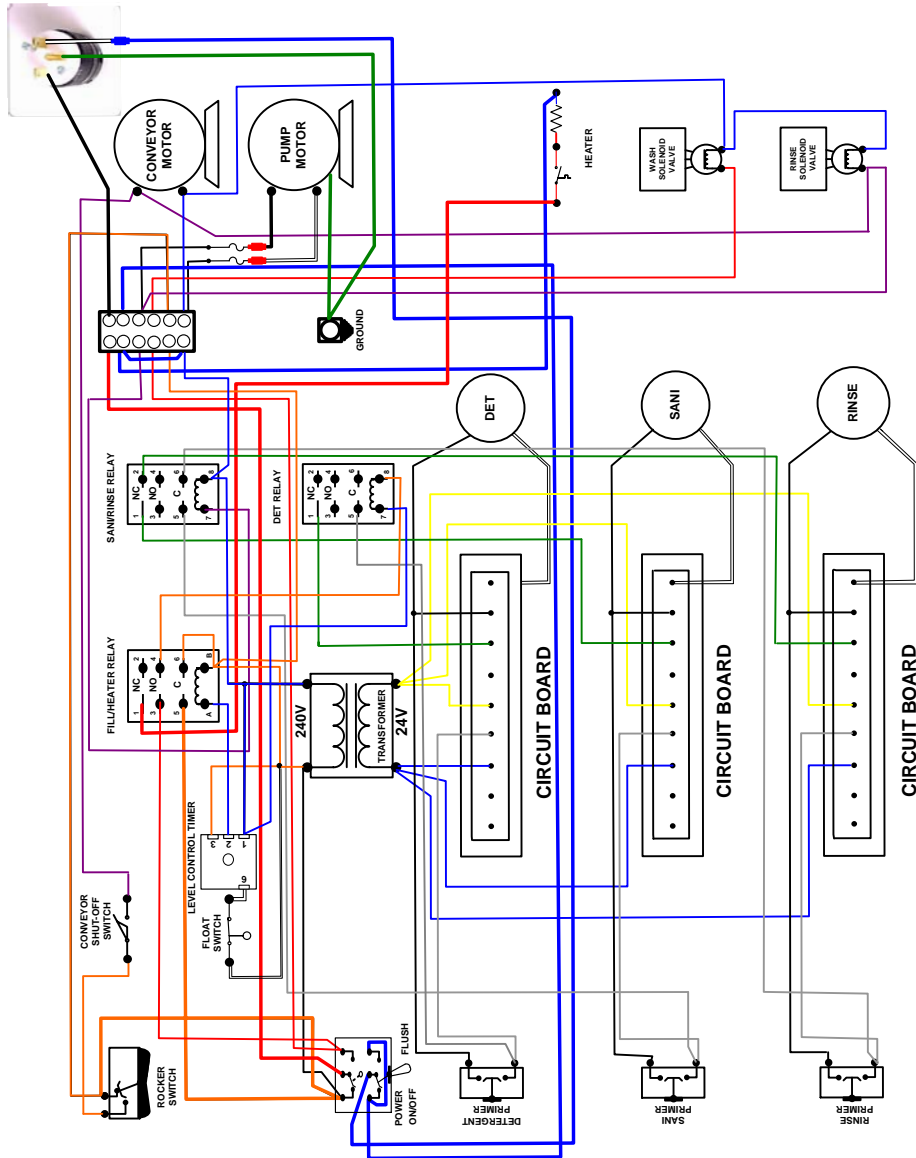
## 6.2.11. Waste Collector Assy. P/N 16565.00



| ITEM NO. | NO. REQ'D | P/N      | DESCRIPTION                         |
|----------|-----------|----------|-------------------------------------|
| 1        | 1         | 16562.00 | Waste Collector Screen              |
| 2        | 1         | 16560.00 | Waste Collector Tray                |
| 3        | 1         | 06231.47 | Label                               |
| 4        | 1         | 03106.51 | Clear Vinyl Tubing 1/2" ID x 3/4"OD |
| 5        | 1         | 00899.01 | Cleaning Drill not shown            |
| 6        | 1         | 00899.02 | Cleaning Brush not shown            |



## 7. GLC Electrical Diagram



## 8. GW-100 Electrical Diagram

