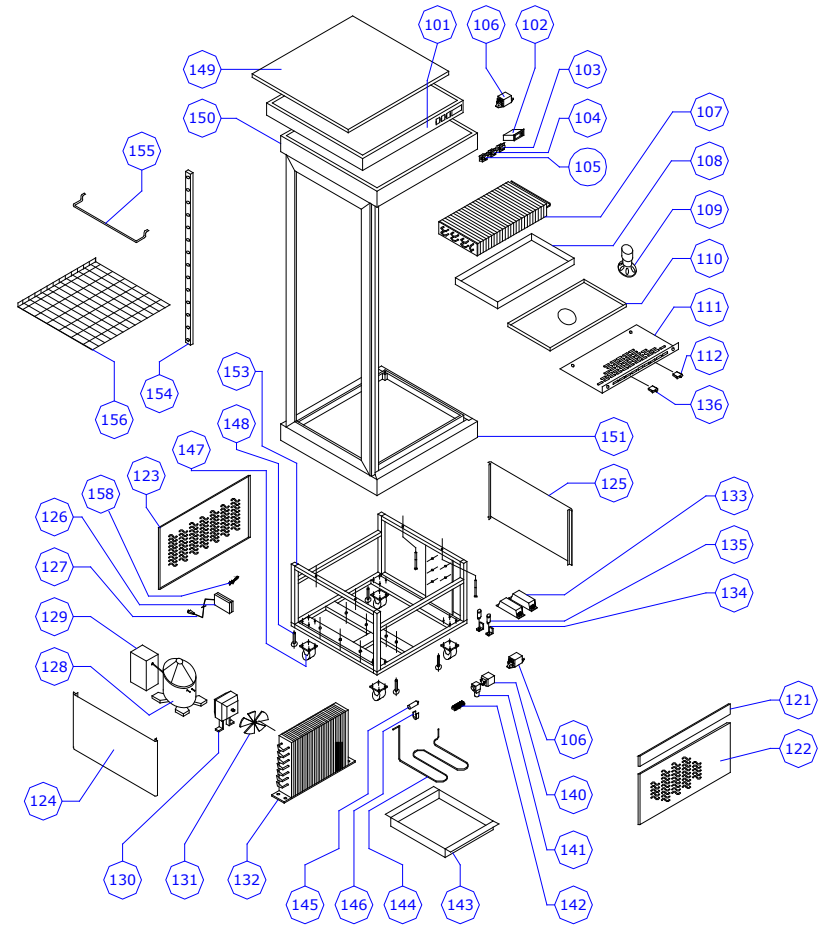
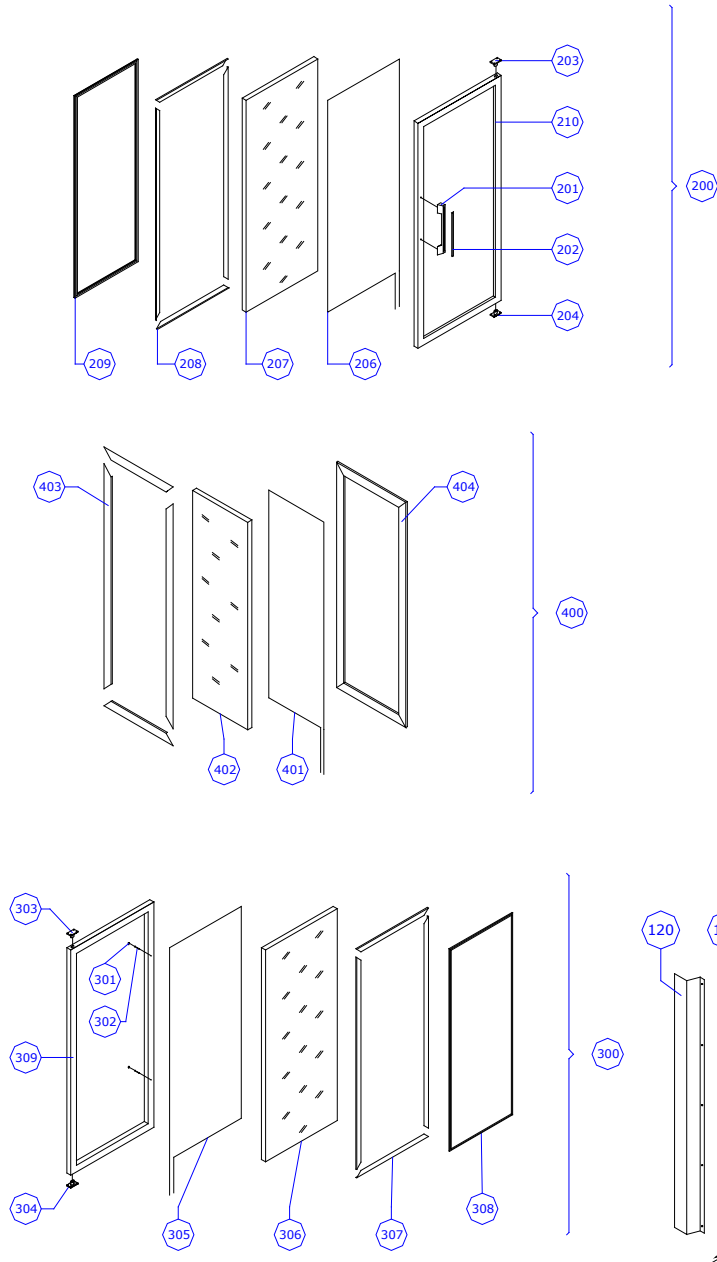


# Mod. 4401 NFN



	I	GB	F	E
101	Mascherina comandi	Top frame control	Porte-comande haute	Mands en alto
102	Termostato elettronico	Electronic thermostat	Thermostat electronique	Termostato electronico
103	Interruttore generale	Main switch	Interrupteur general	Interruptor general
104	Interruttore luce	Light switch	Interrupteur lumière	Interruptor de la luz
105	Interruttore rotante	Rotating frame switch	Commutateur tournant	Interruptor del marco que rota
106	Relè	Relay	Relais	Rele de potencia
107	Evaporatore	Evaporator	Evaporateur	Evaporador
108	Bacinella raccogliacqua	Defrost water collector	Bac à degivrage	Cubeta agua da deshielo
109	Ventilatore evaporatore	Evaporator fan	Ventilateur evaporateur	Ventilador evaporador
110	Pannello portaventilatore	Evaporator fan panel	Penneu ventilateur	Panel ventilador
111	Copertura ventilatore	Fan cover	Couverture ventilateur	Cubierta ventilador
112	Interruttore evaporatore	Switch	Interrupteur evaporateur	Interruptor evaporador
113	Tubo protezione lampada	Switch evaporator fan	Couvre lampe	Copertura lampara
114	Lampada	Lamp	Lampe	Lampara
115	Pastiglia portalampada	Lamp support	Support pour lampe	Portalampara
116	Portalampada superiore	Upper lamp support	Support pour lampe sup.	Portalampara superior
117	Portalampada inferiore	Low lamp support	Support pour lampe inf.	Portalampara inferior
118	Colleg. base-top circuito frigo	Pipes connector top-base refig.	Tebes frigo	Tubes frigo
119	Collegamenti elettrici	Cable electrical	Cordon electrique	Cable
120	Copertura tubi	Pipes cover	Couverture de tubes	Proteccion tubes
121	Pannello zoccolo neutro	Plinth panel	Panneau base neutre	Panel zocalo neutro
122	Griglia anteriore zoccolo	Front ventilation grid	Grille d'aerage avant	Rejilla anterior
123	Griglia posteriore zoccolo	Rear ventilation grid	Grille d'aerage	Rejilla posterior
124	Pannello laterale zoccolo sx	Plinth side panel sx	Panneau lateral batis	Panel lateral zocalo
125	Pannello laterale zoccolo dx	Plinth side panel dx	Panneau lateral batis	Panel lateral zocalo
126	Morsettiera alimentazione	Junction block	Barrette à bornes	Bloque de connexion
127	Cavo alimentazione	Mains cable	Cordon alimentation	Cable de alimentacion
128	Compressore	Compressor	Compresseur	Compresor
129	Box cablaggio	Box electrical	Box compresseur	Box compresor
130	Ventilatore condensatore	Motor Fan	Ventilateur condensateur	Ventilador condensator
131	Ventola condensatore	Fan	Helice ventilateur	Elice ventilador
132	Condensatore	Condenser	Condesateur	Condensador
133	Reattore	Ballast	Ballast	Reactor
134	Porta starter	Starter holder	Supporte pour starter	Porta starter
135	Starter	Starter	Starter	Starter
136	Interruttore rotante	Switch	Interrupteur	Interruptor
140	Elettrovalvola	Solenoid valve	Elettrovanne	Elettrovalvula
141	Connettore per elettrovalvola	Connector Solenoid valve	Connection elettrovanne	Conecion elettrovalvula
142	Morsettiera PVC	Junction block	Barrette à bornes	Bloque de connexion
143	Vaschetta raccolta acqua	Defrost water collector	Bac à degivrage	Cubeta agua da deshielo
144	Spira calda	Heated tube defrost water	Tube pour l'evaporation d'eau	Evaporacion agua
145	Filtro disidratante	Molecular filter	Filtre	Filtro
146	Reggi filtro	Filter support	Support pour filtre	Porta filtro
147	Ruota pivottante	Wheel	Roue	Rueda
148	Piedino fissaggio	Feet	Pied réglable	Pie ajustable

149	Lamiera chiusura superiore	Top cover	Cadre superior	Cornisa superior
150	Pannello top	Top panel	Panneau haute	Panel superior
151	Pannello base	Base panel	Panneau base	Panel inferior
152	Tubo scarico acqua	Drain tube	Tube de drenage	Tubo desague
153	Telaio	Plinth	Batis	Zocalo
154	Cremagliera	Support	Supporte grille	Soporte rejilla
155	Supporto per ripiano	Support shelf	Supporte	Soporte
156	Ripiano in vetro o griglia	glass shelf or grid shelf	Grille	Rejilla
157	Sonda termostato	Sound thermostat	Sonde thermostat	Punta de prueba termostato
158	Blocca cavo	Cable clamp	Collier	Abrazadera para cable
200	Assieme porta anteriore	Complete front door	Ensemble porte	Puerta completa
201	Maniglia	Handle	Poignée	Manilla
202	Inserto maniglia	Handle insert	Plaquette Poignée	Tajjeta manilla
203	Cerniera superiore	Upper hinge	Charnière superieure	Bisagra superior
204	Cerniera inferiore	Lower hinge	Charnière inferieure	Bisagra inferior
206	Resistenza anticondensa	Anticondensation heater	Resistance anticondensation	Resistencia anticondenscion
207	Vetrata isolante	Glass door	Vitre porte	Vidrios puerta
208	Cornice controporta	Door liner	Contreporte	Marco contrapuerta
209	Guarnizione magnetica	Magnetic door seal	Joint magnetique	Junta de cierre
210	Cornice porta	Door frame	Cadre porte	Marco puerta
300	Assieme porta posteriore	Rear complete door	Ensemble porte posterieur	Puerta completa trasero
301	Vite fissaggio	Screw	Vis	Tornillo
302	Tappo per foro	Plugs for holes	Bouchon de fermeture	Tapa de cierre de nylon
303	Cerniera superiore	Upper hinge	Charnière superieure	Bisagra superior
304	Cerniera inferiore	Lower hinge	Charnière inferieure	Bisagra inferior
305	Resistenza anticondensa	Anticondensation heater	Resistance anticondensation	Resistencia anticondenscion
306	Vetrata isolante	Glass door	Vitre	Vidrios
307	Cornice controporta	Door liner	Contreporte	Marco contrapuerta
308	Guarnizione	Door seal	Joint	Junta de cierre
309	Cornice porta	Door frame	Cadre contreporte	Marco contrapuerta
400	Assieme laterale	Complete side panel	Panneu lateral	Panel lateral
401	Resistenza anticondensa	Anticondensation heater	Resistance anticondensation	Resistencia anticondenscion
402	Vetrata isolante	Glass door	Vitre controporte	Vidrios contrapuerta
403	Cornice controporta	Door liner	Contreporte	Marco contrapuerta
404	Cornice laterale	Door frame	Cadre lateral	Marco lateral
500	Assieme castello rotante	Rotary structure	Ensemble structure rotative	Soporte ciculares completa
501	Sostegno struttura rotativa	Rotating frame support	Support structure rotative	Soporte estructura
502	Rivetto centrale	Central rivet	Rivet central	Elemento de fijacion central
503	Boccola reggi struttura rotativa	Frame support bushing	Biote support structure	Pin de soporte estructura
504	Castello rotante	Rotary castle	Structure rotative	Soporte ciculares
505	Ripiano in vetro	Glass shelve	Plateaux verre	Repisa en vidrio
506	Ripiano a specchio	Mirrors shelve	Plateaux miroir	Repisa en espejo
507	Rivetti reggi ripiano	Support shelve rivet	Rivet support plateaux	Soporte repisas
508	Piastra reggi struttura rotativa	Frame support plate	Plaque support structure	Placa de soporte estructura
509	Cuscinetto reggi spinta	Push bearing	Cuscinet de butée	Elemento rotativo
510	Piastra sostegno motore	Frame support motor	Plaque support moteur	Placa de soporte motor
511	Perno	Pivot	Pivot	Perno
512	Spinotto	Gudijeon-pin	Goujon	Pin de fijacin
513	Motoriduttore	Motoreducer	Motoriducteur	Motoriductur

514	Viti fissaggio castello	Screw	Vis	Tornillo
515	Boccola	Frame support bushing	Biote support	Pin de soporte