



Introducing The New

EST FRONT LOADER

Chemical Sanitizing Single Rack Dishmachine

FEATURES:

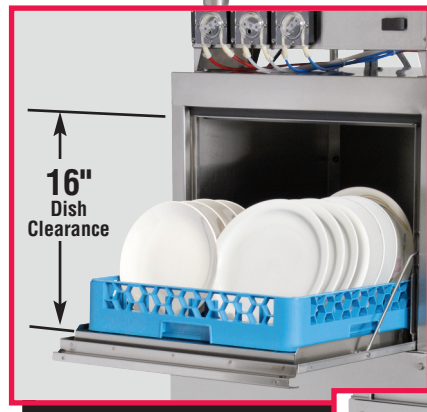
- 75% less floor space than traditional Dishmachines (compact space-saving design)
- Requires only 5.06 sq ft of floor space
- Front loading door design provides optimal working height for easy loading and unloading of dishes
- 90 sec cycle (40 racks per hour) standard 20" X20" racks
- Energy Star water saving design uses only 1.09 gals of water per cycle
- Standard 115v electrical circuit
- Powerful Stainless Steel pump with Upper and Lower Wash Arms
- Pumped fresh water rinse system
- Low-temp chemical sanitizing system which requires minimum 120 degree, ideal 140 degree water supply
- Top mounted controls with automatic 3-product dispensing system
- Large 16" dish clearance
- Interchangeable components compatible with other CMA products
- ETL/NSF/UL/Energy Star Certified
- Built-in scrap accumulator
- Inside sump design

Available Options

- Built-in Hot Water Assurance System provides hot water every cycle
- Sanitizer Alarm
- CMA Front Skirt



EST Front Loader
P/N:1614.00



Optimizes space - no dishtables required. Easy loading and unloading.

OPTIONAL
Hot water assurance system



CMA Front Skirt
available as option.
P/N:1512.30



12700 KNOTT STREET
GARDEN GROVE, CALIF. 92841
800-854-6417 • 714-898-8781 • FAX 714-895-2141
www.cmadishmachines.com

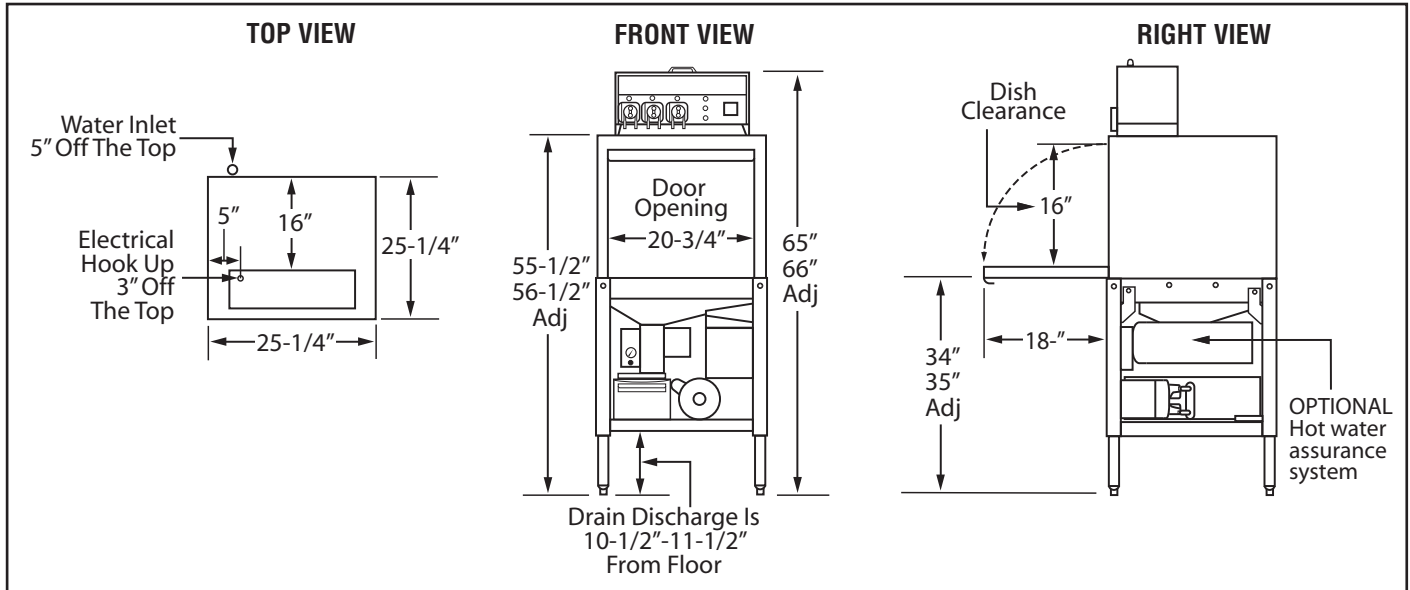




EST-FL (FRONT LOADER)

Chemical Sanitizing
Single Rack
Dishmachine

WARNING: Plumbing connections must be made by a qualified service company who will comply with all available Federal, State, and Local Health, Plumbing and Safety codes.



Specifications:

MODEL EST	USA	METRIC	USA	METRIC
WATER CONSUMPTION				
PER RACK	1.09 GAL.	(4.12L)		
PER HOUR	43.6 GPH	(165 L)		
WATER INLET	1/2"	(1.27cm)		
DRAIN	2"	(5.1cm)		
OPERATING CYCLE				
WASH TIME - SEC.	53	53		
RINSE TIME - SEC.	30	30		
DWELL	7	7		
TOTAL CYCLE	90	90		
OPERATING CAPACITY				
RACKS PER HOUR	40	40		
WASH TANK CAPACITY	1.09 GAL.	(4.12 L)		
PUMP CAPACITY	52 GPM	(197 LPM)		
OPERATING TEMPERATURE				
REQUIRED	120°F	(49°C)		
RECOMMENDED	140°F	(60°C)		
FRAME DIMENSIONS				
DEPTH	25-1/4"	(64.1cm)		
WIDTH	25-1/4"	(64.cm)		
HEIGHT	55-1/2"-56-1/2"	(141.2cm-143.5cm)		
MAXIMUM CLEARANCE HEIGHT FOR DISHES	16"	(43.2cm)		
STANDARD DISHRACK	1	1		
DIMENSIONS	19-3/4"X19-3/4"	(50X50cm)		
WASH PUMP MOTOR HP	1	1		
ELECTRICAL RATING	VOLTS	AMPS		
	115	16		
SHIPPING WEIGHT				
APPROXIMATE	273#	(124 kg)		

Summary Specifications: Model EST Front Loader

The Energy Miser model EST FRONT LOADER low temperature, chemical sanitizing commercial dishwasher meets UL Electrical and ETL Sanitation (NSF Standard 3) standards. Model EST FRONT LOADER is constructed entirely of stainless steel. Each unit automatically washes, rinses and sanitizes food service utensils in standard 20" x 20" racks. Unit comes with upper and lower stainless steel wash arms.

