

# ECTS-12 WITH SD-30 STAND

 ECTS-12 with SD-30 Stand


### STANDARD CONSTRUCTION SPECIFICATIONS

Crown model ECTS-12 skillet with optional SD-30 open type equipment stand with drawer.

All stainless steel construction 1-1/4" square tubular frame with four (4) adjustable flanged feet to floor anchor and removable drain drawer with roller action slides, high front splash shield, removable splash diffusing drawer bottom for added splash control and stationary drain connection.

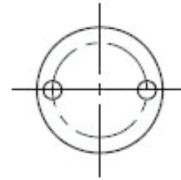
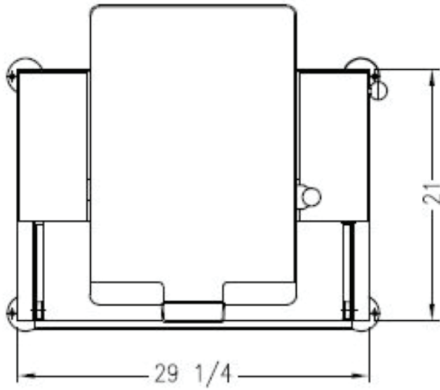


Approval Notes: \_\_\_\_\_

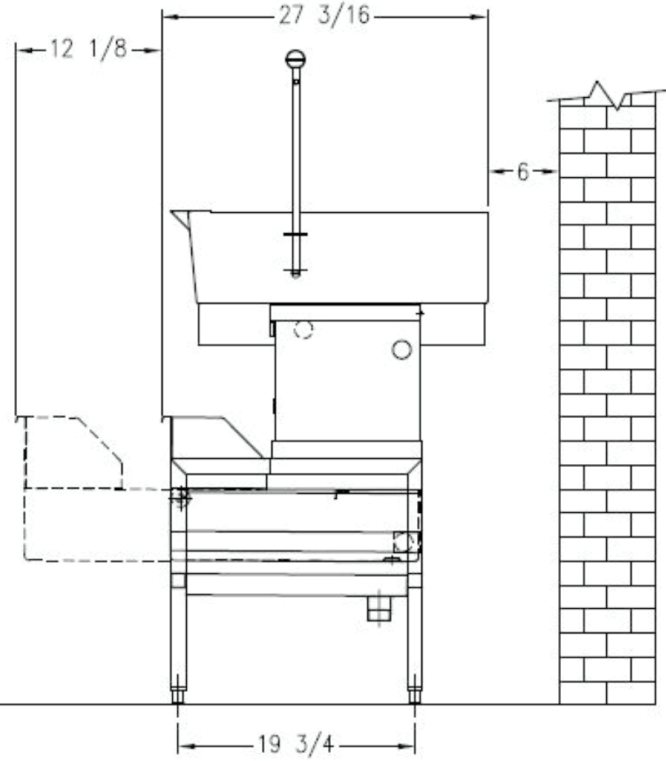
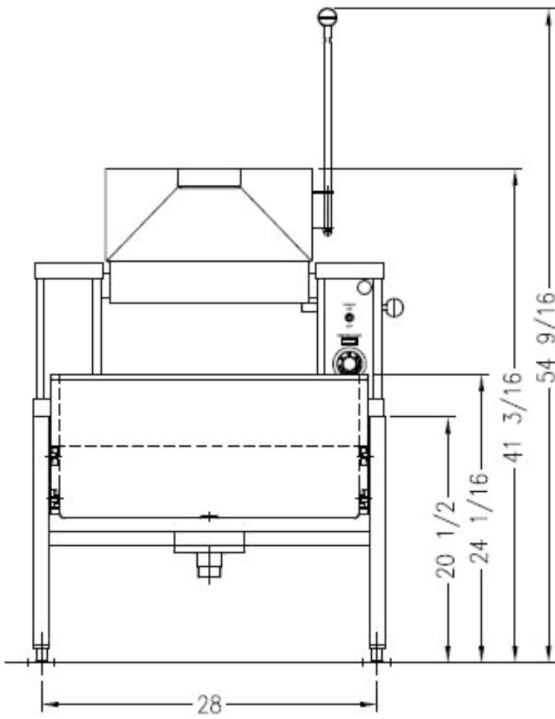
\_\_\_\_\_

\_\_\_\_\_

DIMENSIONS ARE IN INCHES [MM]



FLANGE FOOT DETAIL  
 2 EQUALLY SPACED  
 $\phi 1/4$  [6.4mm] HOLES  
 ON  $2 1/4$  [57mm] B.C.



**ELECTRICAL CHARACTERISTICS**

MODEL	SHIPPING WEIGHT
ECTS-12	255 lbs. [116 kg]

**INTENDED FOR COMMERCIAL USE ONLY.  
 NOT FOR HOUSEHOLD USE.**

