

ECTRS-16 WITH S-30 STAND

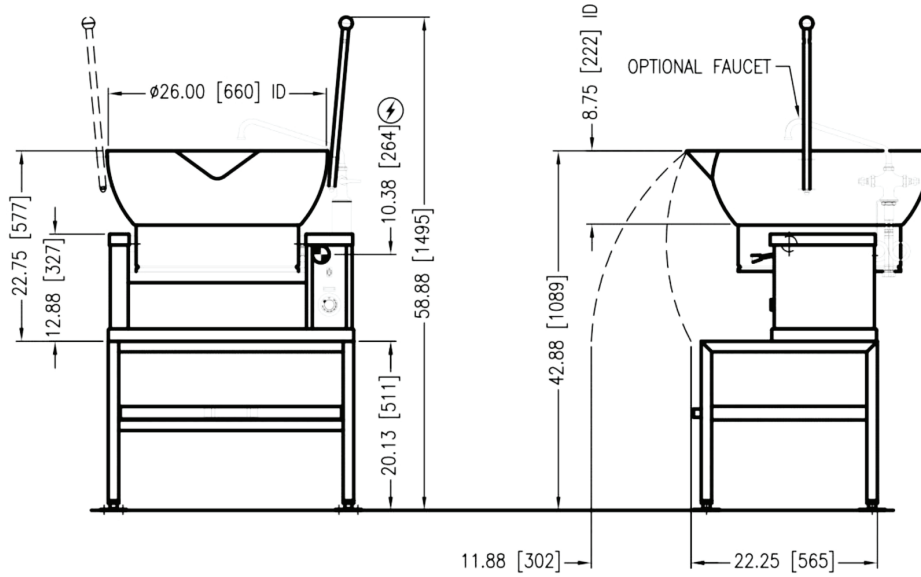
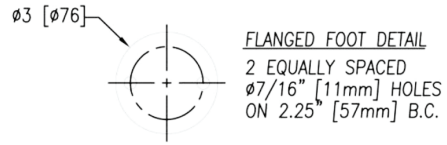
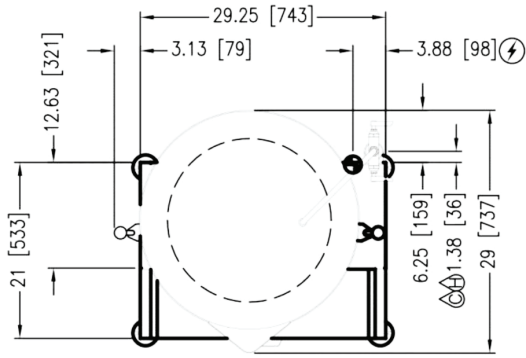
 ECTRS-16 with S-30 Stand


STANDARD CONSTRUCTION SPECIFICATIONS

Shall be a Crown model ECTRS-16 skillet with optional S-30 stand. All stainless construction open type equipment stand with removable sliding shelf and 1-1/4" square tubular frame with four (4) adjustable flanged feet for floor anchoring.


 Approval Notes: _____

DIMENSIONS ARE IN INCHES [MM]



IN [mm]

8591R0

SERVICE CONNECTIONS

- ELECTRICAL CONNECTION to be as specified on data plate
- COLD WATER: Compression fittings for 5/8" O.D. copper tubing or 1/2 NPSM Male
- HOT WATER: Compression fittings for 5/8" O.D. copper tubing or 1/2 NPSM Male

ELECTRICAL CHARACTERISTICS

MODEL	kW	PHASE	AMPS PER LINE						
			208V	220V	240V	380V	415V	480V	600V
ECTRS-16	7.5	1	36.0	34.1	31.3	N/A	N/A	N/A	N/A
		3	20.8	19.7	18.1	11.4	10.4	9.0	7.2

**INTENDED FOR COMMERCIAL USE ONLY.
 NOT FOR HOUSEHOLD USE.**

