



ECT-6 WITH SD-24 STAND

ECT-6 with SD-24 Stand



STANDARD CONSTRUCTION SPECIFICATIONS

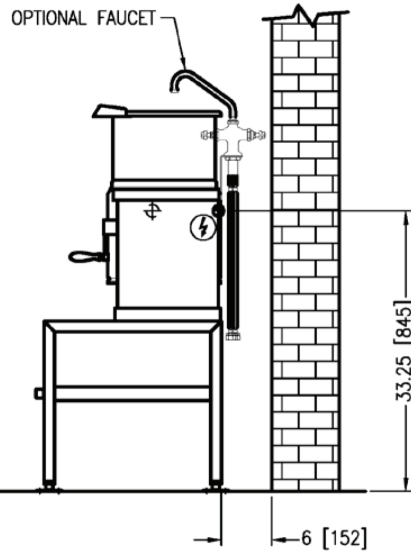
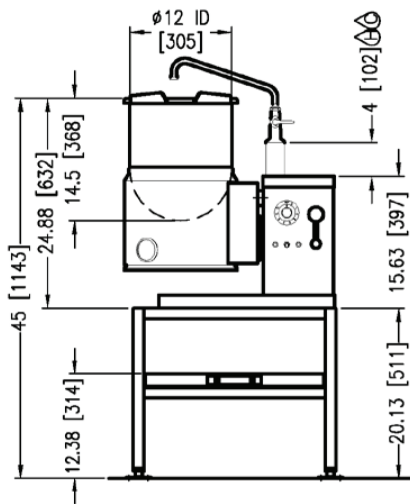
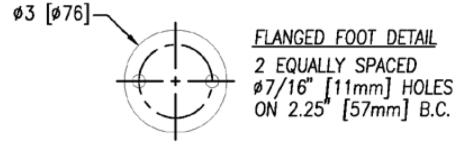
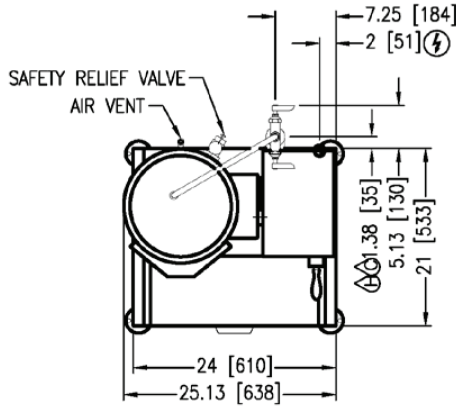
Crown model ECT-6 , counter electric kettle, crank tilt, with optional SD-24 all stainless steel construction open type equipment stand with drawer.

All stainless construction 1-1/4" square tubular frame with four (4) adjustable flanged feet to floor anchor, and removable drain drawer with roller action slides, high front splash shield, removable splash diffusing drawer bottom for added splash control, and stationary drain connection.



Approval Notes: _____

DIMENSIONS ARE IN INCHES [MM]



IN [mm]
8508R0

SERVICE CONNECTIONS

- ELECTRICAL CONNECTION to be as specified on data plate
- COLD WATER: Compression fittings for 5/8" O.D. copper tubing or 1/2 NPSM Male
- HOT WATER: Compression fittings for 5/8" O.D. copper tubing or 1/2 NPSM Male
- DRAIN: 1-1/2" – 11-1/2" NPT

SPECIFICATIONS

MODEL	CAPACITY	UNITS	SHIPPING WEIGHT	MINIMUM CLEARANCE		
				R.H. SIDES	L.H. SIDES	BACK
ECT-6	6 Gallons (23 liters)	INCHES (MM)	130 lbs. (59 kg) without stand 175 lbs. (79 kg) with stand	0	3 (76)	6 (152)

**INTENDED FOR COMMERCIAL USE ONLY.
NOT FOR HOUSEHOLD USE.**

