

# ECT-(10, 12) WITH S-30 STAND

- ECT-10 with S-30 Stand
- ECT-12 with S-30 Stand



### STANDARD CONSTRUCTION SPECIFICATIONS

Crown model ECT-(10,12), counter electric kettle, crank tilt, with optional S-30.

All stainless steel construction open type equipment stand with removable sliding shelf and 1-1/4" square tubular frame with four (4) adjustable flanged feet for floor anchoring.



Approval Notes: \_\_\_\_\_

\_\_\_\_\_

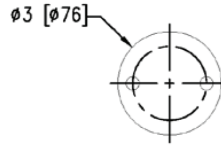
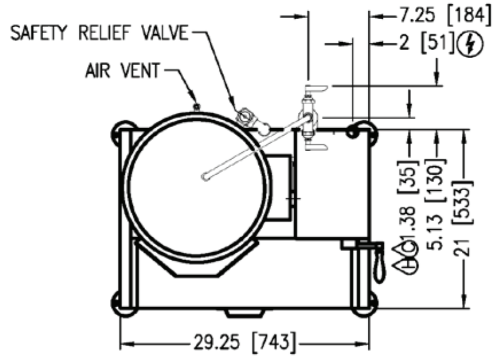
\_\_\_\_\_

Models:  ECT-10 with S-30 Stand

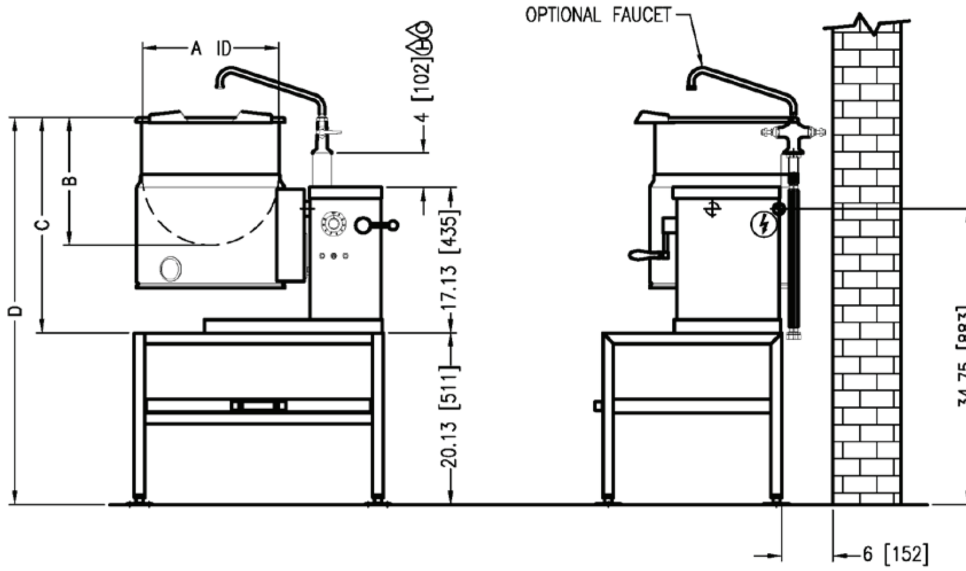
ECT-12 with S-30 Stand

ECT-10,12-S30

DIMENSIONS ARE IN INCHES [MM]



**FLANGED FOOT DETAIL**  
 2 EQUALLY SPACED  
 07/16" [11mm] HOLES  
 ON 2.25" [57mm] B.C.



IN [mm]

8509R0

**SERVICE CONNECTIONS**

- ⚡ – ELECTRICAL CONNECTION to be as specified on data plate
- Ⓒ – COLD WATER: Compression fittings for 5/8" O.D. copper tubing or 1/2 NPSM Male
- Ⓓ – HOT WATER: Compression fittings for 5/8" O.D. copper tubing or 1/2 NPSM Male

**DIMENSIONS**

MODEL	CAPACITY	UNITS	A	B	C	D	SHIPPING WEIGHT WITH STAND	MINIMUM CLEARANCE		
								R.H. SIDES	L.H. SIDES	BACK
ECT-10	10 Gallons (38 liters)	INCHES (MM)	16" (406)	15" (381)	25.31" (643)	45.5" (1156)	225 lbs. (102 kg)	0	3 (76)	2 (51)
ECT-12TWL	12 Gallons (45 liters)	INCHES (MM)		17" (432)	27.31" (694)	47.5" (1207)				

**INTENDED FOR COMMERCIAL USE ONLY.  
 NOT FOR HOUSEHOLD USE.**

