



Job: _____ Item# _____



EC-6TW_SD-24

EC-6TW WITH SD-24 STAND

EC-6TW with SD-24



STANDARD CONSTRUCTION SPECIFICATIONS

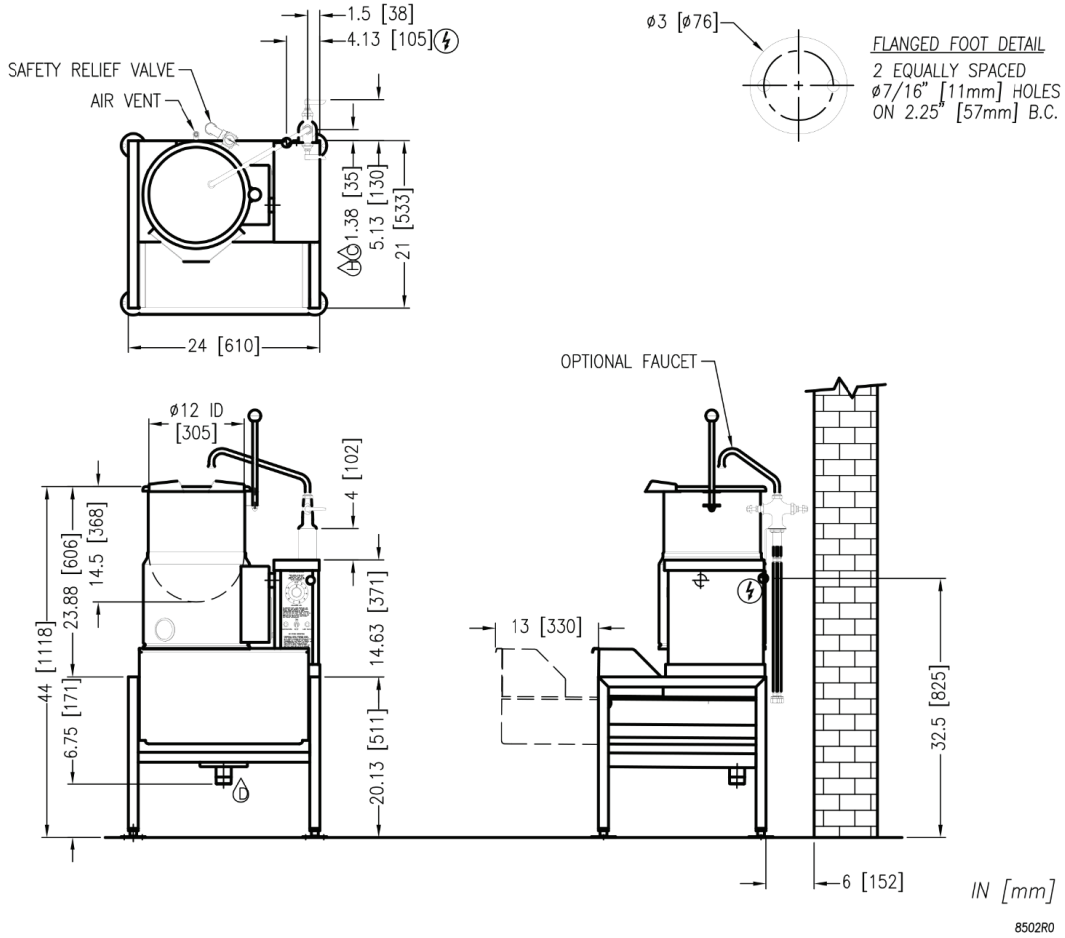
The Crown Model **EC-6TW** self generating electric kettle, with optional **SD-24** stand, open type equipment stand with sliding drawer.

All stainless steel construction 1 ¼" square tubular frame with four (4) adjustable flanged feet for floor anchoring, a removable drain drawer with roller action slides, high front splash shield, removable splash diffusing drawer bottom for added splash control and stationary drain connection.



Approval Notes: _____

DIMENSIONS ARE IN INCHES [MM]



SERVICE CONNECTIONS

- ELECTRICAL CONNECTIONS: TO BE SPECIFIED ON DATA PLATE
- COLD WATER: COMPRESSION FITTINGS FOR 5/8 O.D copper tubing or 1/2 NPSM male.
- HOT WATER: COMPRESSION FITTINGS FOR 5/8 O.D copper tubing or 1/2 NPSM male.
- DRAIN: 1-1/2" NPTM piped to open floor drain. No solid connection.

SPECIFICATIONS

MODEL	CAPACITY	UNITS	SHIPPING WT	MIN. CLEARANCE		
				L.H.	R.H.	BACK
EC-6TW with SD-24	6 gallons 23 litres	inches mm	120 lbs (55 kg) without stand			
			175 lbs (79 kg) with stand	3	0	6 (152)

**INTENDED FOR COMMERCIAL USE ONLY.
 NOT FOR HOUSEHOLD USE.**

