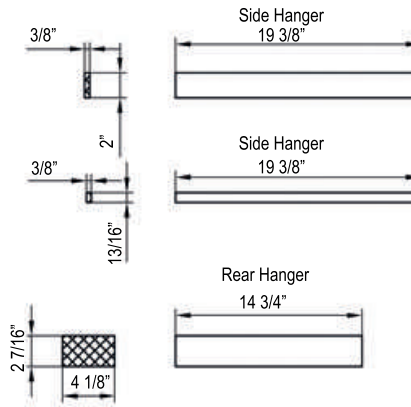
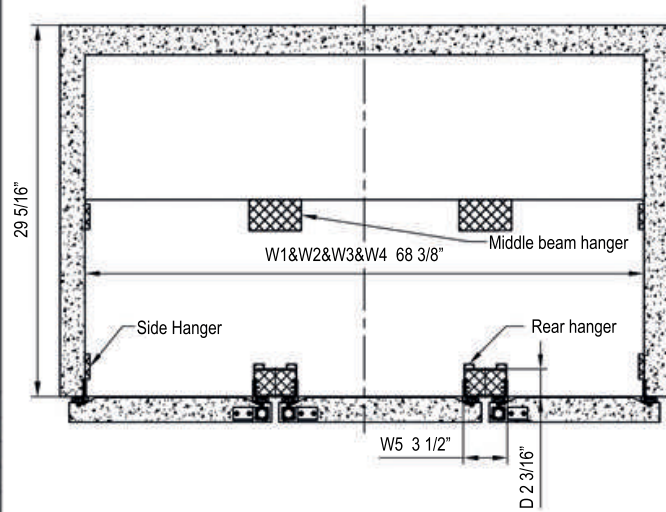


N°	Description	(inches)			Capacity (cu.ft)
		W	D	H	
1	Inner cabinet	68 3/8"	13 3/8"	1/2"	0.27
2	Inner cabinet bottom	68 3/8"	15 9/16"	8 1/2"	5.25
3	Inner cabinet top	68 3/8"	27"	16 9/16"	17.71
4	Top beam	68 3/8"	2 3/16"	2 3/16"	0.19
5	Vertical center beam	3 1/2"	2 3/16"	22 13/16"	0.20
6	Side hanger	2"	3/8"	19 3/8"	0.03
7	Vertical center hanger	13/16"	3/8"	19 3/8"	0.01
8	Rear hanger	4 1/8"	2 7/16"	14 3/4"	0.17
9	Evaporator Compartment				2.41
Total Capacity					20.21



Evaporator Compartment  
Evaporator Compartment Capacity: 2.41 Cu Ft

