



HOSHIZAKI

Parts List

Cubelet Icemaker/Dispenser

Models

DCM-300BAH(-OS)



hoshizakiamerica.com

Number: 71326
Issued: 4-20-2011
Revised: 9-4-2024

CONTENTS

Auxiliary Codes.....	3
Note About Ordering Parts	4
A. Main Assembly	5
B. Apron Panel Assembly.....	7
C. Refrigeration Circuit.....	8
D. Icemaking Unit.....	10
E. Water Circuit	12
F. Control Box Assembly	14
G. Shutter Assembly	16
H. Dispensing & Agitating Assemblies	17
I. Bin Assembly	18
J. Accessories & Labels.....	19

Auxiliary Codes

DCM-300BAH

A-0 April 2011
B-0 April 2012
C-0 January 2013
C-1 April 2013
D-0 January 2014
D-1 May 2014
E-0 January 2015
E-1 September 2015
F-0 January 2016
F-1 July 2016
G-0 January 2017
G-1 April 2017
G-2 July 2017
G-3 November 2017
H-0 January 2018
H-1 March 2018
H-2 August 2018
J-0 January 2019
J-1 July 2019
J-2 July 2019
J-1 August 2019
K-0 January 2020
K-1 May 2020
K-2 August 2020
L-0 January 2021
L-2 July 2021
L-3 November 2021
L-4 December 2021
M-0 January 2022
M-1 May 2022
M-2 August 2022
M-3 September 2022
N-0 January 2023
N-1 August 2023
P-0 January 2024

DCM-300BAH-OS

A-0 April 2011
B-0 April 2012
C-0 January 2013
C-1 April 2013
D-0 January 2014
D-1 May 2014
E-0 January 2015
E-1 September 2015
F-0 January 2016
F-1 July 2016
G-0 January 2017
G-1 April 2017
G-2 July 2017
G-3 November 2017
H-0 January 2018
H-1 March 2018
H-2 August 2018
J-0 January 2019
J-1 July 2019
K-0 January 2020
K-1 May 2020
K-2 August 2020
L-0 January 2021
L-1 May 2021
L-2 July 2021
L-3 November 2021
L-4 December 2021
M-0 January 2022
M-1 May 2022
M-3 November 2022
N-0 January 2023
N-1 August 2023
P-0 January 2024
P-1 August 2024

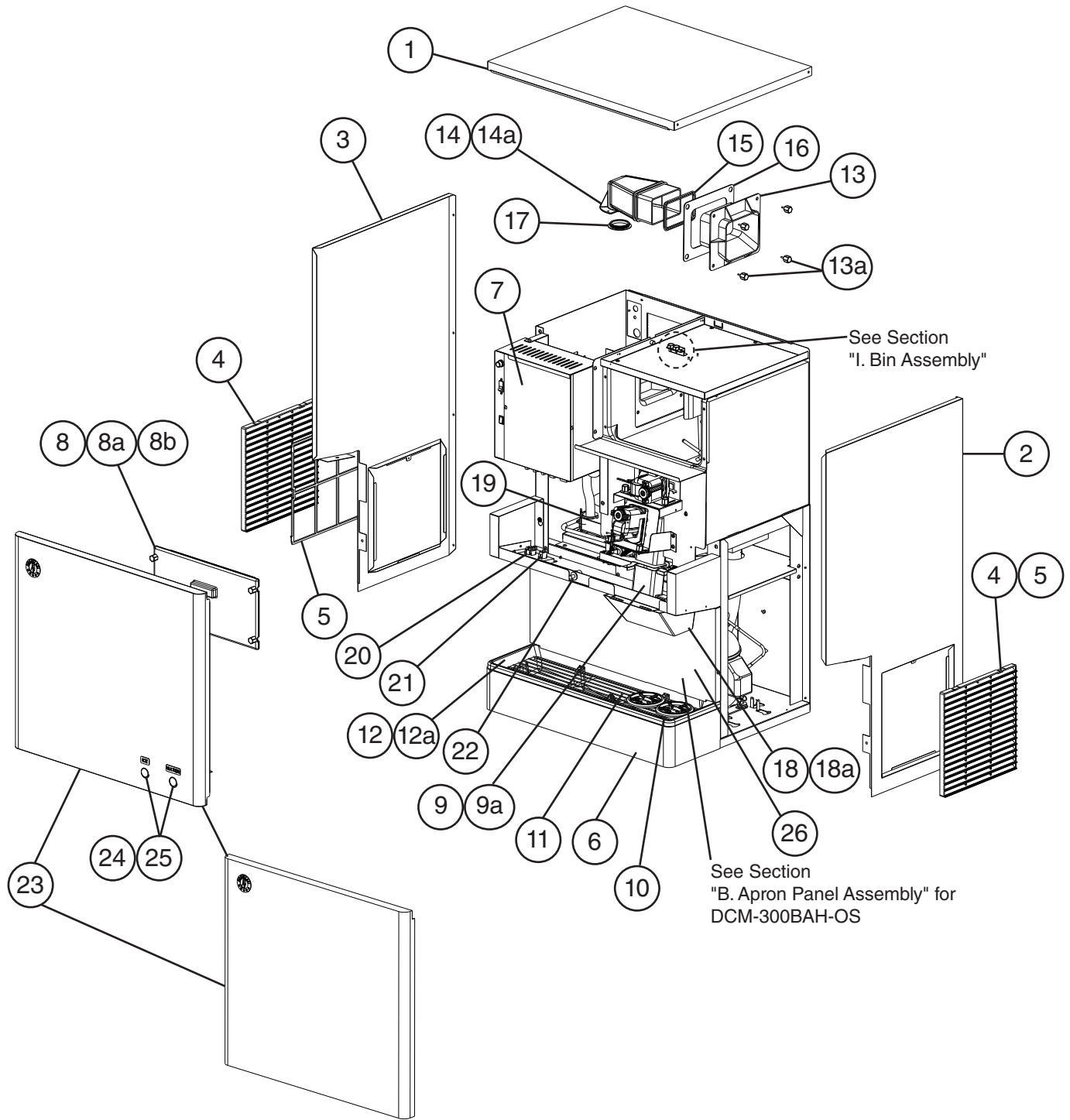
Auxiliary Code Breakdown

The auxiliary code is the first two characters in the serial number. The first character indicates the year. Years progress or regress in alphabetical order. The series runs from "A" through "V" and the letters "I" and "O" are skipped. The second character indicates significant part changes within a year. Base is "0" and this number advances for each change. In cases where there is a letter in parentheses, this designates the month. This is the last character in the serial number. The series runs from "(A)" through "(M)" and the letter "(I)" is skipped. This designation is only included when identifying a parts change within an auxiliary code.

Note About Ordering Parts

Most assemblies cannot be ordered as complete units; parts in the assemblies generally must be ordered separately.

A. Main Assembly
DCM-300BAH(-OS)
 A-0 to P-1



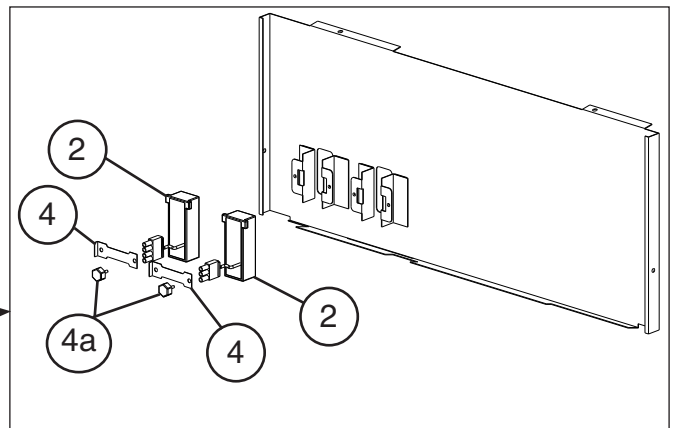
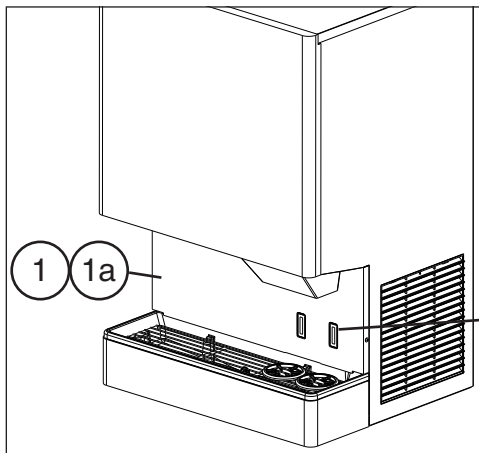
DCM-300BAH-OS

Title: A. Main Assembly Model: DCM-300BAH(-OS)

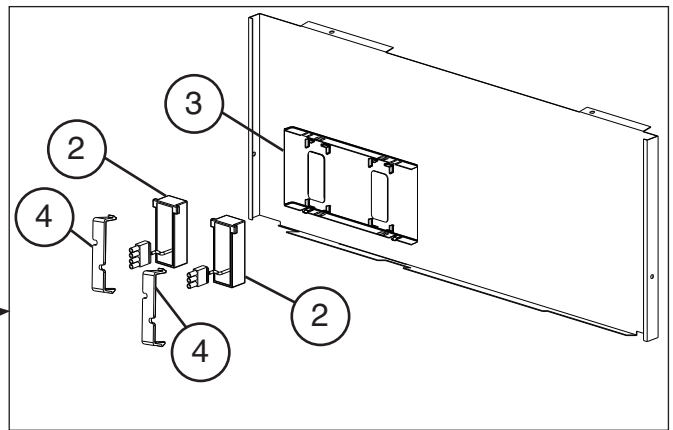
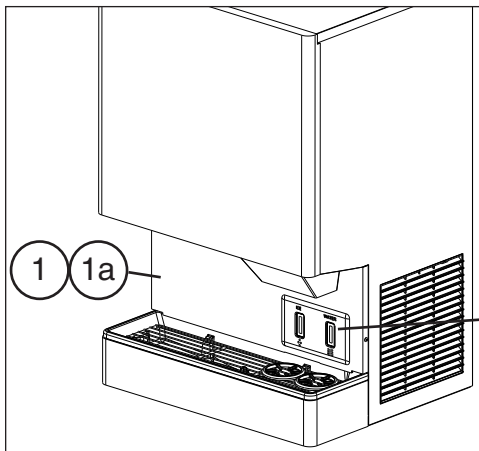
Index No.	Description	Material or Model Number	Part Number	Required Number												
				A-0 to F-0	F-1 to N-0	N-1 to P-1										
1	Top Panel		3A2514G01	1	1	1										
2	Right Side Panel		2A6143-02	1	1	1										
3	Left Side Panel		2A6144-01	1	1	1										
4	Louver		103121-03	2	2	2										
5	Air Filter		208283G03	1	1	1										
6	Lower Panel		2A0699G01	1	1	1										
7	Control Box Cover		4A5054-01	1	1	1										
8	Ice Storage Bin Cover		2A0880A02	1	1	1										
8a	Bin Cover Gasket		318984G01	1	1	1										
8b	Thumbscrew		415949G12	4	4	4										
9	Ice Chute		4A2204-01	1	1	1										
9a	Thumbscrew		415949G08	2	2	2										
10	Cup Guide		326702-01	2	2	2										
11	Grille		2A0827G01	1	1	1										
12	Drip Tray		2A2591G01	1	1	1										
12a	Drip Tray Screen		4A7560-01	1	1	1										
13	Spout B		208807-01	1	1	1										
13a	Thumbscrew		415949G11	4	4	4										
14	Spout		3A6554-01	1	1	1										
14a	Thumbscrew		415949G11	3	3	3										
15	Spout Packing A		427195-01	1	1	1										
16	Spout Packing B		427196-01	1	1	1										
17	Packing		427151-01	1	1	1										
18	Spout Cover		215773-01	1	1	1										
18a	Thumbscrew		415949G08	2	2	2										
19	Drain Pan		323765G01	1	1	1										
20	Control Switch		4A6179-01	1	1	1										
21	Dispense Mode Switch	DCM-300BAH DCM-300BAH-OS	4A0558-01	1	1	-										
22	Safety Switch		4A5034-01	1	1	1										
23	Front Panel Assembly (includes item 24)	DCM-300BAH	3A4999A02	1	-											
			1A6957A01		1	1										
	Front Panel	DCM-300BAH-OS	2A2891-01	1	-											
			1A6953A01		1	1										
24	Push Switch Assembly (includes item 25)	DCM-300BAH	3A4997A01	1	1	1										
25	Push Switch	DCM-300BAH	435745-02	2	2	2										
26	Apron Panel	DCM-300BAH	2A0720-01	1	1	1										

B. Apron Panel Assembly DCM-300BAH-OS A-0 to P-1

P-0 and Earlier

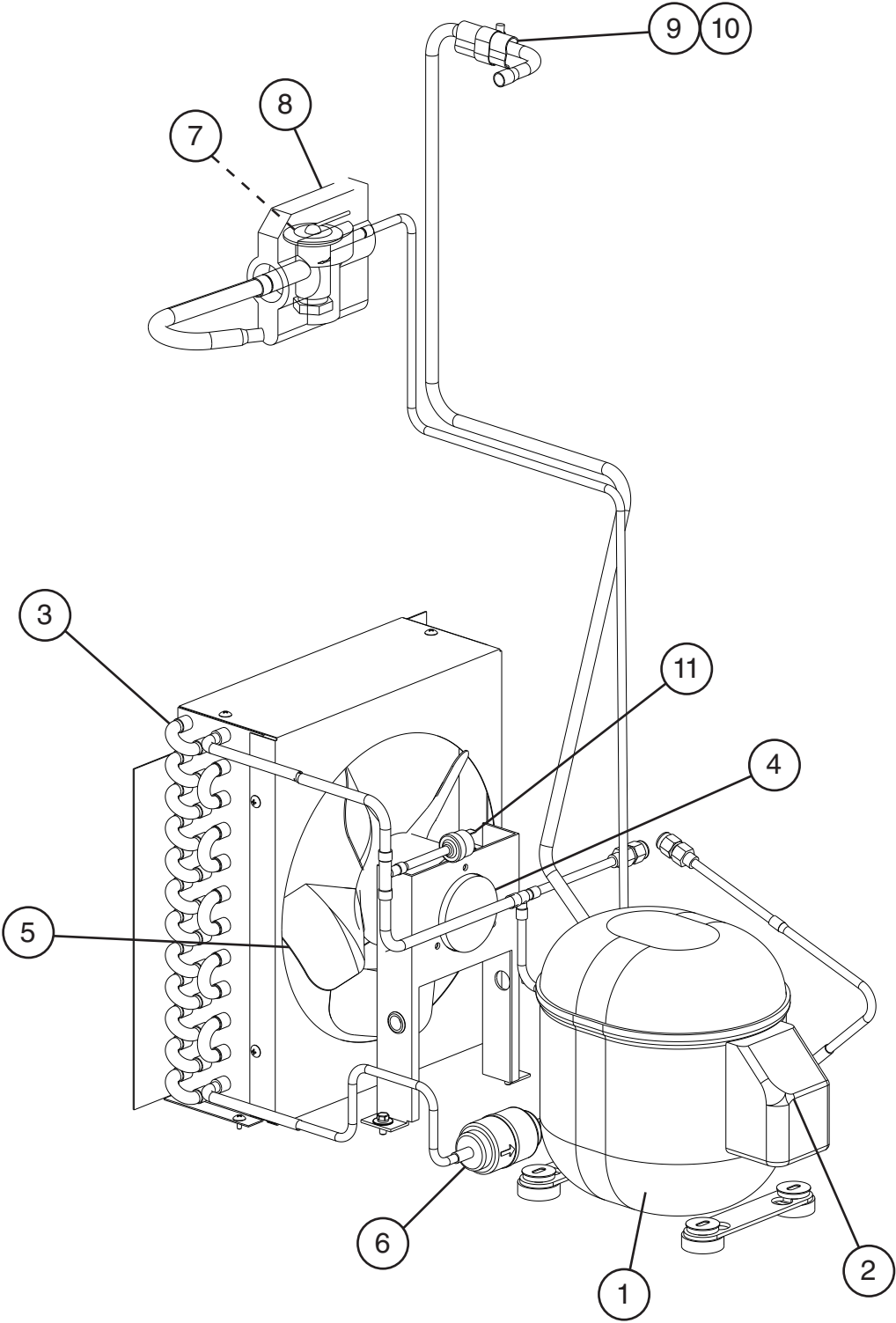


P-1 and Later



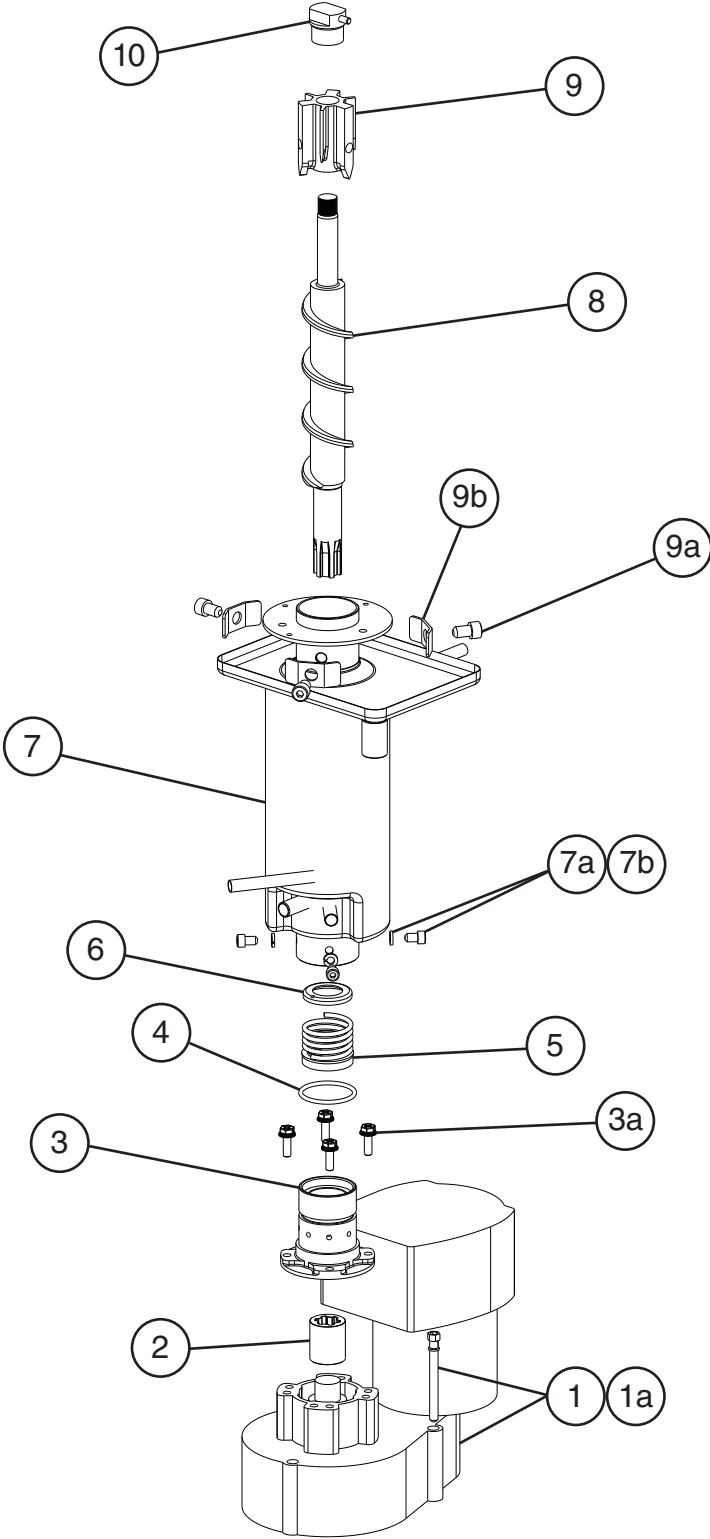
Title: B. Apron Panel Assembly Model: DCM-300B_H-OS				Required Number							
Index No.	Description	Material or Model Number	Part Number	A-0 to F-0	F-1 to P-0	P-1					
1	Apron Panel Assembly (includes items 1a through 4a)		3B1899A01			1					
1a	Apron Panel	DCM-300BAH-OS (includes sensor bracket)	3A3617G01 2B0989-01	1	1	-					
2	Sensor Assembly	Ice DCM-300BAH-OS 3-prong plug	4A3753G01 4A7246A01	1	1	-					
		Water DCM-300BAH-OS 4-prong plug	4A3753G02 4A7246A02	1	1	-					
3	Optical Sensor Holder	DCM-300BAH-OS	4A6607-01			1					
4	Sensor Latch	DCM-300BAH-OS	4A3848-01 4A6670-01	2	2	-					
4a	Thumbscrew	DCM-300BAH-OS	415949G10	2	2	2					

C. Refrigeration Circuit
DCM-300BAH(-OS)
A-0 to P-1



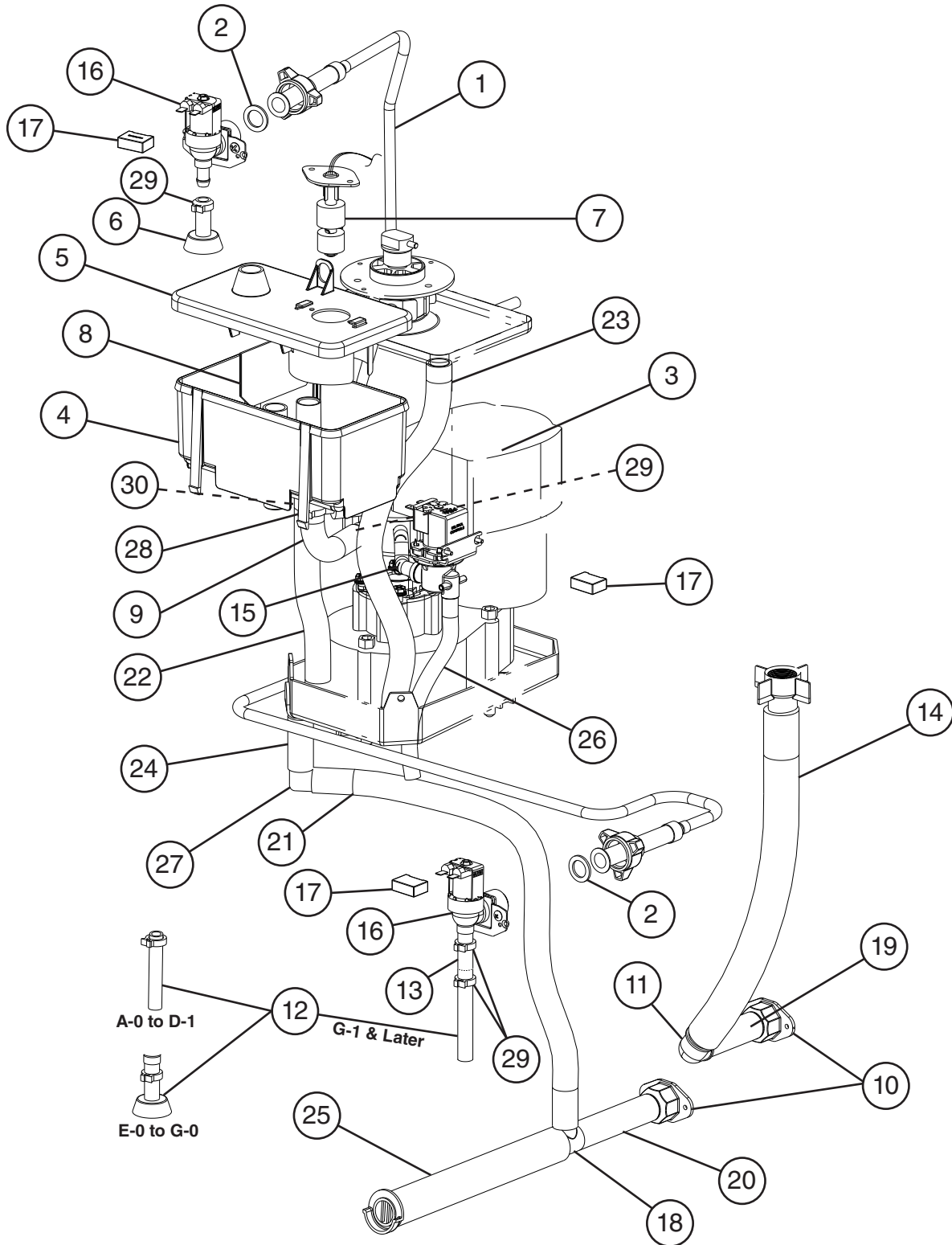
Title: C. Refrigeration Circuit Model: DCM-300BAH(-OS)											
Index No.	Description	Material or Model Number	Part Number	Required Number							
				A-0 to H-0	H-1 to P-1						
1	Compressor	SP-5531	4A4614-01	1	-						
			4A6090-01		1						
2	External Protector		4A4614F03	1	-						
			4A6490-01		1						
3	Condenser		2A0780-01	1	1						
4	Fan Motor		4A0815-01	1	1						
5	Fan Blade		3A0608-01	1	1						
6	Drier		4A1113-01	1	1						
7	Thermostatic Expansion Valve		4A1117-01	1	1						
8	Thermostatic Expansion Valve Cover		4A1168-01	1	1						
9	Thermostatic Expansion Valve Bulb Holder		3A0107-01	1	1						
10	Clamp		443461-01	1	1						
11	High-Pressure Switch		4A7070-04	1	1						

D. Icemaking Unit
DCM-300BAH(-OS)
A-0 to P-1



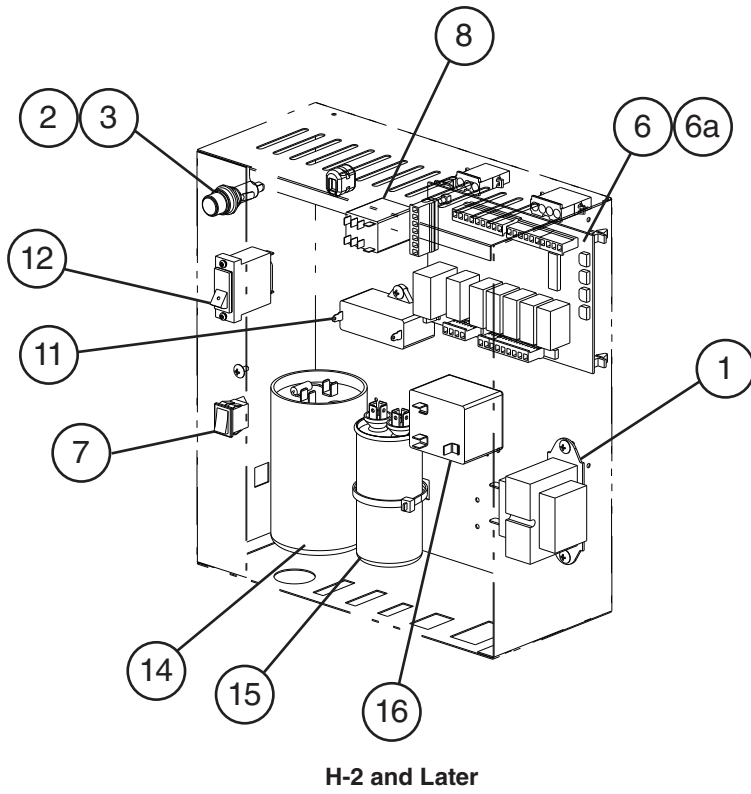
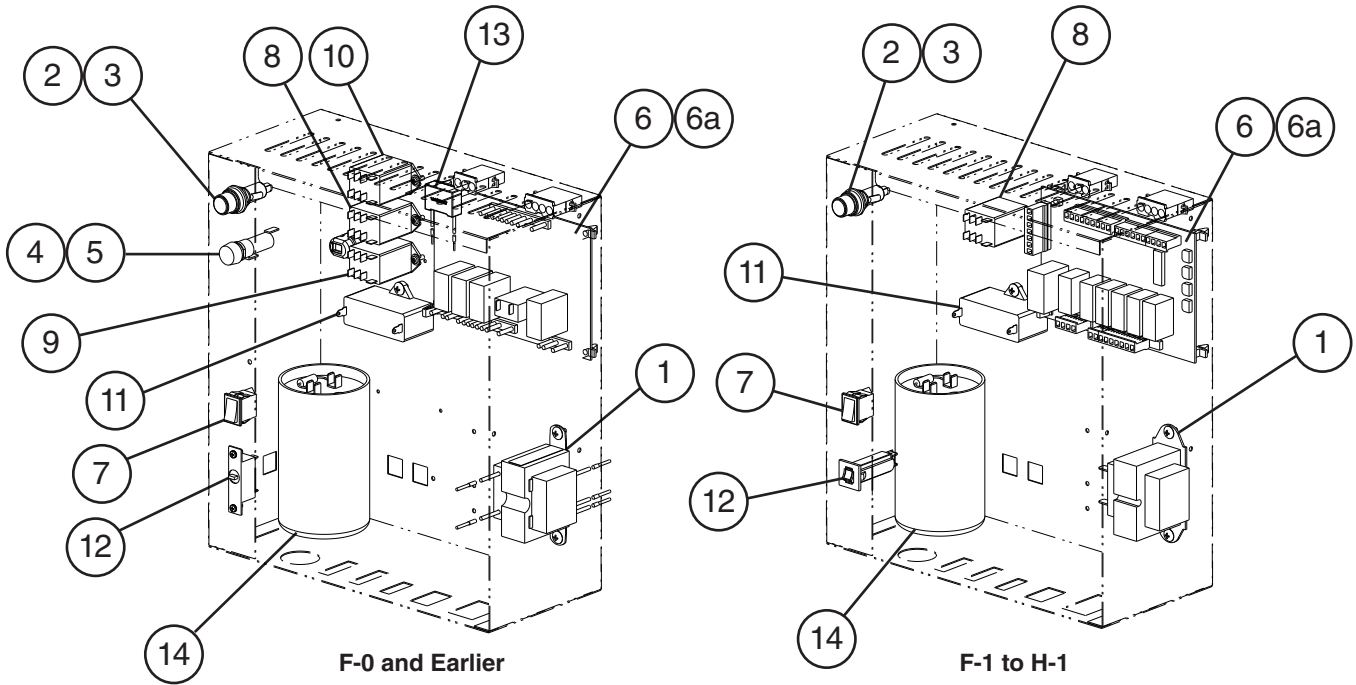
Title: D. Icemaking Unit Model: DCM-300BAH(-OS)											
Index No.	Description	Material or Model Number	Part Number	Required Number							
				A-0 to D-0	D-1 to N-0	N-1 to P-1					
1	Gear Motor	SP-5699	4A5855-01	1	1	1					
1a	Socket Head Cap Screw	6x10, SS	7S12-0895	3	3	3					
2	Spline Coupling		418316-01	1	1	1					
3	Housing		383613G01	1	1	1					
3a	Hex Bolt	6x20, SS	4A1989-01	4	4	4					
4	O-Ring		4A4755-01	1	1	1					
5	Mechanical Seal		432491-03	1	1	1					
6	Ring		432494-01	1	1	1					
7	Evaporator		2A3308G01	1	1	-					
			2A3308G02			1					
7a	Socket Head Cap Screw		7S12-0610	4	4	4					
7b	Split Lock Washer		7L22-0600	4	4	4					
8	Auger		269909G01	1	1	1					
9	Extruding Head		327141G03	1	1	1					
9a	Seal Bolt	M8	P01768-02	3	3	3					
9b	Washer		453791-01	3	3	3					
10	Cutter		440905-01	1	-						
			439228G01		1	1					

E. Water Circuit
DCM-300BAH(-OS)
 A-0 to P-1



Title: E. Water Circuit Model: DCM-300BAH(-OS)													
Index No.	Description	Material or Model Number	Part Number	Required Number									
				A-0 to D-1	E-0 to G-0	G-1 to G-2	G-3 to J-0 (C)	J-0 (D) to J-1 (M)	K-0 to P-1				
1	Water Supply Pipe		2A0680G01	1	-								
			2A7569G01		1	1	1	1	1	1			
2	Washer		413854-03	2	2	2	2	2	2				
3	Drain Valve		4A2772-01	1	1	1	1	1	1				
4	Reservoir		2A0753-01	1	1	1	1	1	1				
5	Reservoir Cover		214810-01	1	1	1	1	1	1				
6	Reservoir Inlet		4A0869-01	1	1	1	1	1	1				
7	Float Switch		3B1240G01	1	1	1	1	1	1				
8	Reservoir Separator		4A1255-01	1	1	1	1	1	1				
9	Reservoir Hose		4A1165-12	1	1	1	1	1	1				
10	Drain Fitting		4A5527-01	2	2	2	2	2	2				
11	Elbow		4A1016-01	1	1	1	1	1	1				
12	Vinyl Hose	L=75 mm	7725-0912	1	-								
	Reservoir Inlet		4A0869-01		1	-							
	Water Tube		4A3218-01			1	1	1	1				
13	Silicone Hose	L=60 mm	7730-0912			1	1	1	1				
14	Vinyl Hose	L=380 mm	4A0658L01	1	-								
		L=345 mm			1	1	1	1	1				
15	Silicone Hose	L=50 mm	7730I3896	1	-								
		L=70 mm			1	1	1	1	1				
16	Inlet/Dispense Water Valve		4A0865-01	2	-								
			4A5309-01		2	2	2	2	2				
17	R-C Capacitor (Noise Killer)	0.2MFD, 250VAC	4A1012-01	3	3	3	-						
			4A4472-01				3	-					
		0.1MFD, 250VAC	4A6495-01					3	3				
18	Tee		4A0525-04	1	1	1	1	1	1				
19	Vinyl Hose	L=60 mm	7716B2025	1	1	1	1	1	1				
20	Vinyl Hose	L=100 mm	7716B2025	1	1	1	1	1	1				
21	Vinyl Hose	L=500 mm	7725B1923	1	1	1	1	1	1				
22	Vinyl Hose	L=260 mm	7725B1923	1	1	1	1	1	1				
23	Vinyl Hose	L=400 mm	7725B1923	1	1	1	1	1	1				
24	Vinyl Hose	L=50 mm	7725B1923	1	1	1	1	1	1				
25	Vinyl Hose	L=225 mm	4A0658L01	1	1	1	1	1	1				
26	Silicone Hose	L=170 mm	7730I3896	1	-								
		L=195 mm			1	1	1	1	1				
27	Elbow		4A1017-01	1	1	1	1	1	1				
Clamps													
28	Hose Clamp		4A2017-05	1	1	1	1	1	1				
29	Hose Clamp		4A2017-08	3	3	4	4	4	4				
30	Hose Clamp		4A2017-09							1			

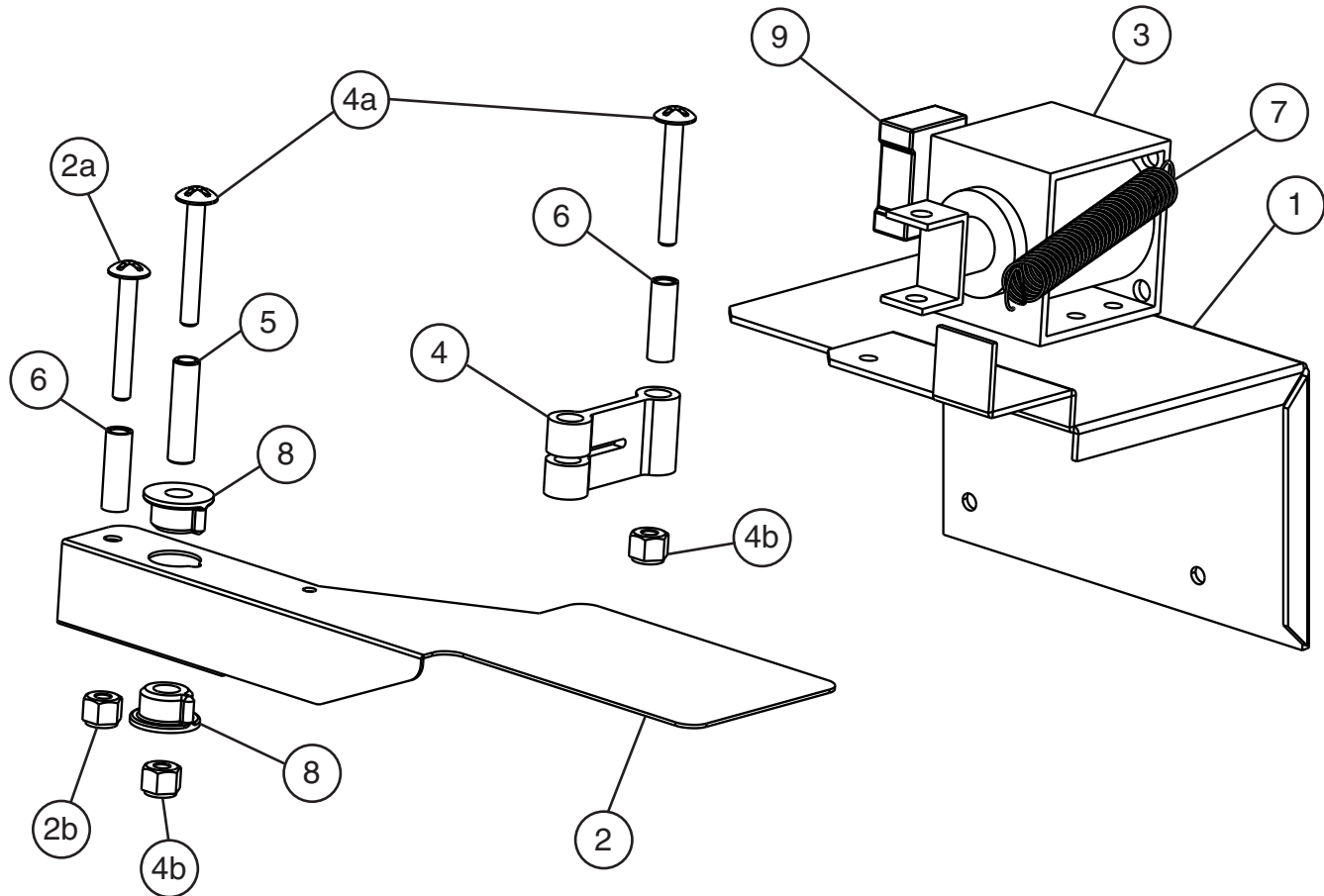
F. Control Box Assembly
DCM-300BAH(-OS)
 A-0 to P-1



Title: F. Control Box Assembly Model: DCM-300BAH(-OS)												
Index No.	Description	Material or Model Number	Part Number	Required Number								
				A-0 to B-0	C-0	C-1 to F-0	F-1 to G-3	H-0 to H-1	H-2 to K-0	K-1 to N-0	N-1 to P-1	
1	Control Transformer		3A6652-01	1	-							
			4A0557-01		1	1	1	1	1	1	1	1
2	24VAC Circuit Fuse	AGC-1A, 250VAC	4A0893-01	1	1	1	1	1	1	1	1	
3	Fuse Holder		4A5443-01	1	1	1	1	1	1	1	1	
4	10.5VAC Circuit Fuse	500mA, 250VAC	4A0893-02	1	1	1	-					
5	Fuse Holder		4A3449-02	1	1	1	-					
6	Timer Board	DCM-300BAH	2A1592-01	1	1	1	-					
		DCM-300BAH-OS	2A2649-01	1	1	1	-					
	Control Board	DCM-300BAH	2A9093-01				1	1	1	1	-	
		DCM-300BAH(-OS)	2A9874-01									1
6a	Control Board Support		4A0336-03	4	4	4	4	4	4	4	4	
7	Power Switch		4A0558-01	1	1	1	1	1	1	1	1	
8	Gear Motor Protect Relay/Compressor Control Relay (X10)	120VAC	406132-07	1	1	1	-					
			4A6558-01				1	1	1	1	1	
9	Power Protect Relay (X11)	220/240VAC	418271-05	1	1	1	-					
10	Water Control Relay (X12)	24VAC	406132-03	1	1	1	-					
11	Gear Motor Capacitor	10MFD, 280VAC	416921-05	1	1	-						
		10MFD, 250VAC	443192-01			1	1	1	1	-		
		10MFD, 250VAC	4A6435-01								1	1
12	Gear Motor Protector	2.0A	4A6087-02	1	1	1	1	1	1	1	1	
13	R-C Capacitor (Noise Killer)	0.2MFD, 250VAC	4A1012-01	1	1	1	-					
14	Start Capacitor	145-175MFD, 250VAC	3A0076-01	1	1	1	1	-				
		243-249MFD, 250VAC	3A0076-21					1	1	1	1	
15	Run Capacitor		3A2005-10					1	1	1	1	
16	Start Relay		4A1107-23					1	1	1	1	

G. Shutter Assembly DCM-300BAH(-OS)

A-0 to P-1

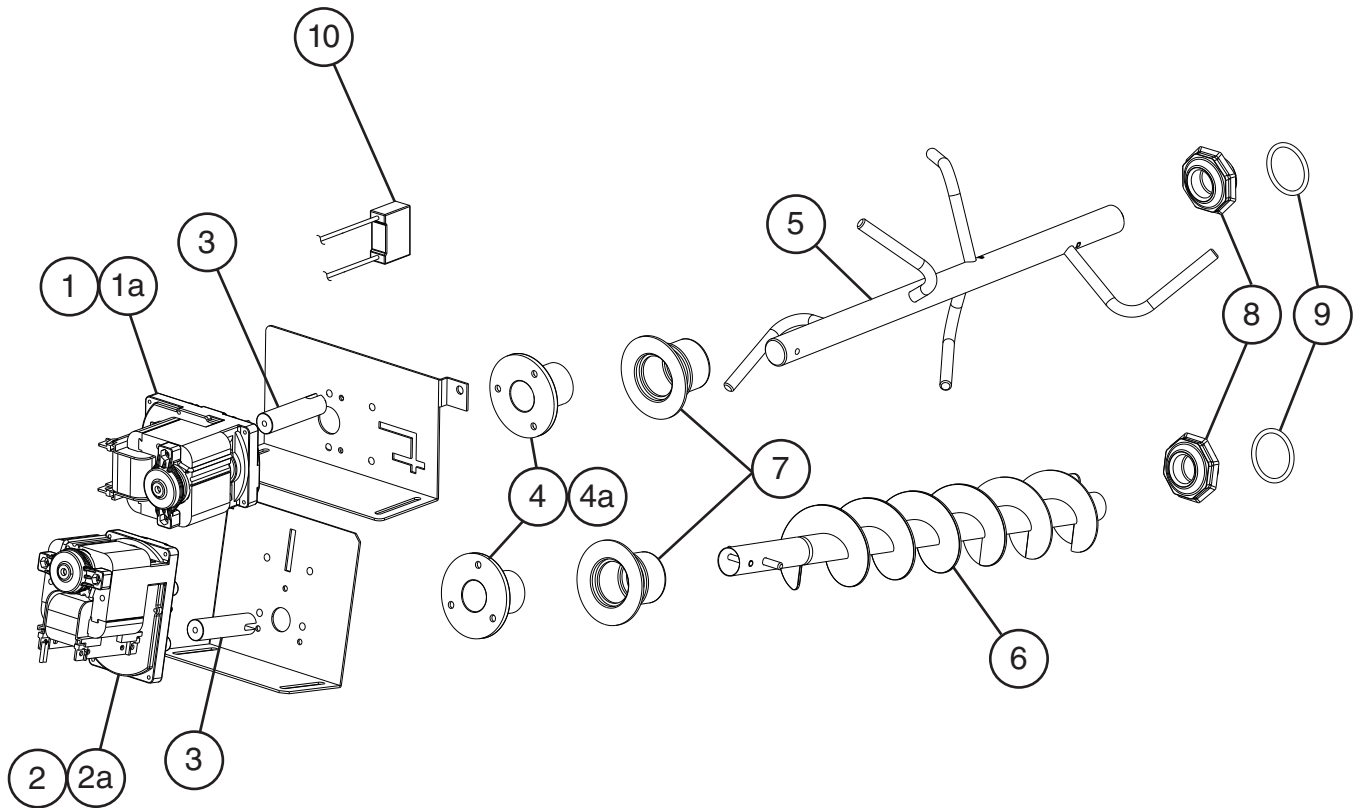


Title: G. Shutter Assembly		Model: DCM-300BAH(-OS)		Required Number							
Index No.	Description	Material or Model Number	Part Number	A-0 to K-1	K-2 to P-1						
1	Base		3B0803-01	1	1						
2	Lever		3A6139-01	1	1						
2a	Truss Head Screw	4x30, SS	7C32-0430	1	1						
2b	Self-Locking Nut	M4, SS	7N22-0400	1	1						
3	Solenoid		4A0856-01	1	1						
4	Link		432232-01	1	1						
4a	Truss Head Screw	4x30, SS	7C32-0430	2	2						
4b	Self-Locking Nut	M4, SS	7N22-0400	2	2						
5	Collar E		432240-02	1	1						
6	Collar D		432471-01	2	2						
7	Spring		432878-01	1	1						
8	Shutter Collar		435533-01	2	2						
9	R-C Capacitor (Noise Killer)	0.2MFD, 250VAC	4A4472-01	1	-						
		0.1MFD, 250VAC	4A6495-01		1						

H. Dispensing & Agitating Assemblies

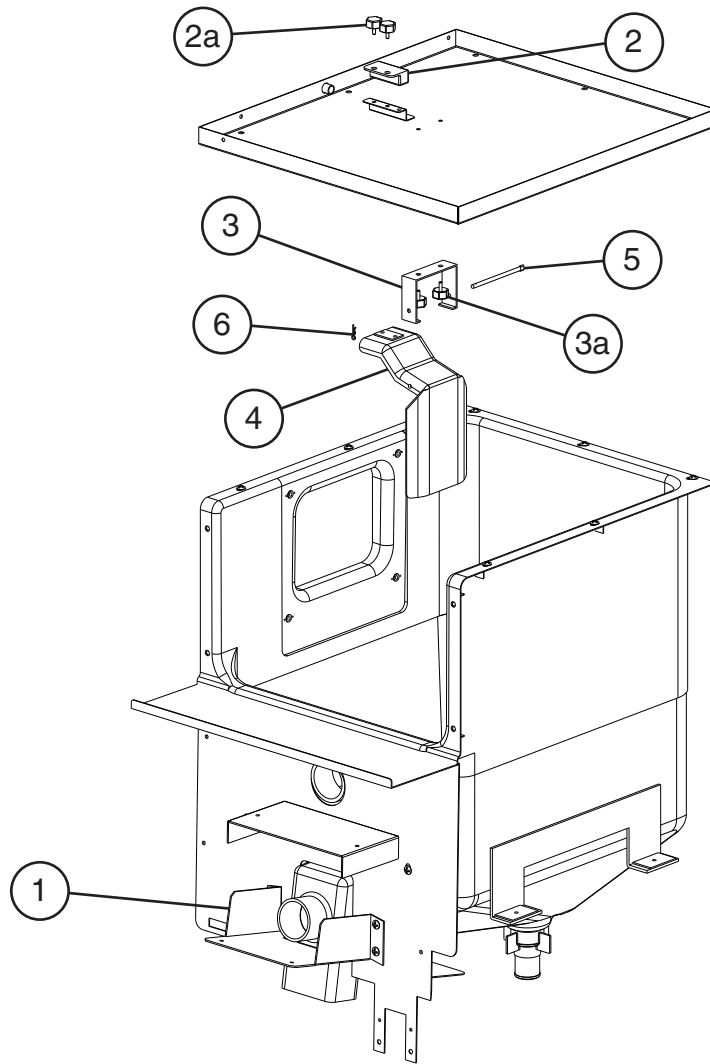
DCM-300BAH(-OS)

A-0 to P-1



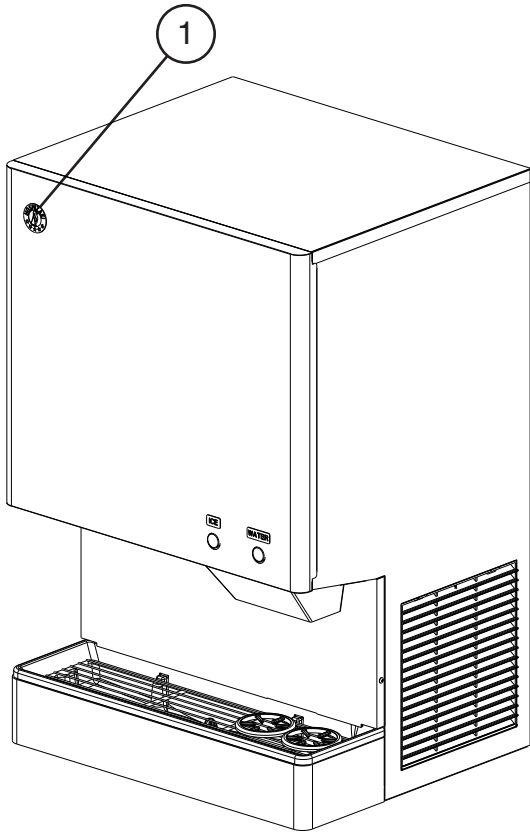
Title: H. Dispensing & Agitating Assemblies Model: DCM-300BAH(-OS)											
Index No.	Description	Material or Model Number	Part Number	Required Number							
				A-0 to F-0	F-1 to P-1						
1	Agitating Gear Motor		3A6786-01	1	1						
1a	Flat Head Screw	4x8, SS	7C22-0408	4	4						
2	Dispensing Gear Motor		3A6786-02	1	1						
2a	Flat Head Screw	4x8, SS	7C22-0408	4	4						
3	Joint		429764-01	2	2						
4	Plastic Sleeve		429761-01	2	2						
4a	Flat Head Screw	4x8, SS	7C22-0408	6	6						
5	Agitator		3A0895G01	1	1						
6	Auger		339192G01	1	1						
7	Gasket		429758-01	2	2						
8	Shaft Holder		429818-01	2	2						
9	O-Ring		7616-P032	2	2						
10	R-C Capacitor (Noise Killer)	0.2MFD, 250VAC	4A1012-01	2	-						

I. Bin Assembly
DCM-300BAH(-OS)
 A-0 to P-1

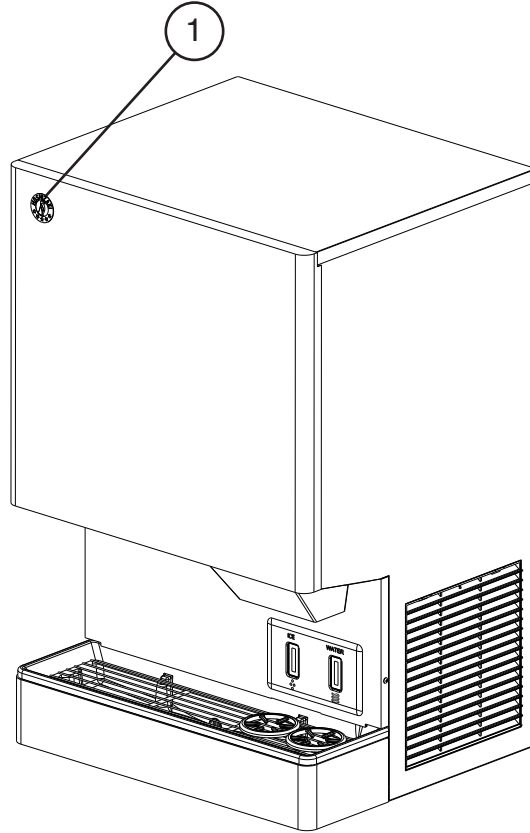


Title: I. Bin Assembly Model: DCM-300BAH(-OS)										
Index No.	Description	Material or Model Number	Part Number	Required Number						
				A-0 to P-1						
1	Sliding Bracket		3A0364-01	1						
2	Bin Control Proximity Switch		4A2033-01	1						
2a	Thumbscrew		415949G08	2						
3	Bin Control Bracket (Hinge)		3A0762-01	1						
3a	Thumbscrew		415949G08	2						
4	Actuator		208795G01	1						
5	Shaft		412337-03	1						
6	Snap Pin		715S-0004	1						

J. Accessories & Labels
DCM-300BAH(-OS)
 A-0 to P-1



DCM-300BAH



DCM-300BAH-OS

Title: J. Accessories & Labels		Model: DCM-300BAH(-OS)		Required Number						
Index No.	Description	Material or Model Number	Part Number	A-0 to P-0	P-1					
				1	Penguin Label		475552L02	1		
2	Ice/Water Label	DCM-300BAH	4A2954-01	1	1					
		DCM-300BAH-OS		1	-					