



HOSHIZAKI

Parts List

Ice Dispensing Bin

Models

DB-I30H



hoshizakiamerica.com

Number: 71205
Issued: 4-12-2002
Revised: 2-17-2025

CONTENTS

Auxiliary Codes.....	3
Note About Ordering Parts	3
A. Main Assembly	4
B. Bin Assembly	6
C. Mechanism Assembly	8
D. Solenoid Assembly	10
E. Accessories & Labels	11

Auxiliary Codes

DB-130H

L-0	September 2001	K-5	January 2020
M-0	February 2002	L-5	January 2021
N-0	January 2003	L-6	July 2021
P-0	December 2003	M-5	January 2022
P-5	October 2004	N-5	February 2023
Q-5	December 2004	P-5	January 2024
R-5	December 2005	Q-5	January 2025
S-5	January 2007		
S-6	April 2007		
S-7	September 2007		
T-5	January 2008		
T-6	February 2008		
U-5	January 2009		
V-5	March 2010		
A-5	April 2011		
B-5	January 2012		
B-6	February 2012		
C-5	January 2013		
D-5	January 2014		
E-5	January 2015		
F-5	January 2016		
G-5	January 2017		
H-5	January 2018		
H-6	April 2018		
J-5	January 2019		

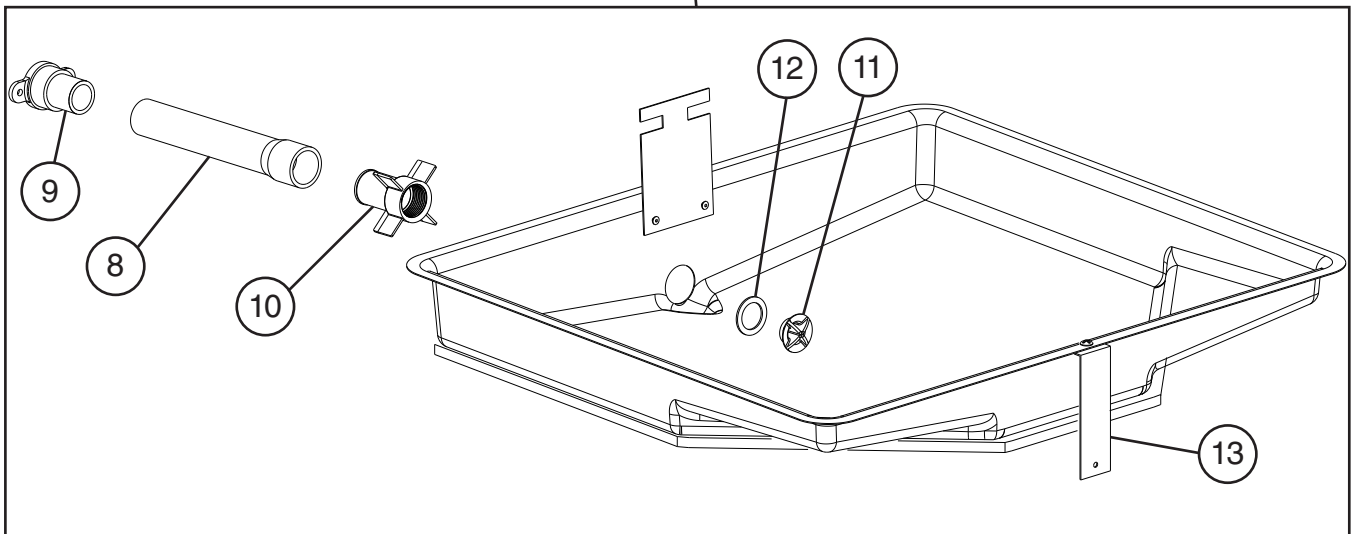
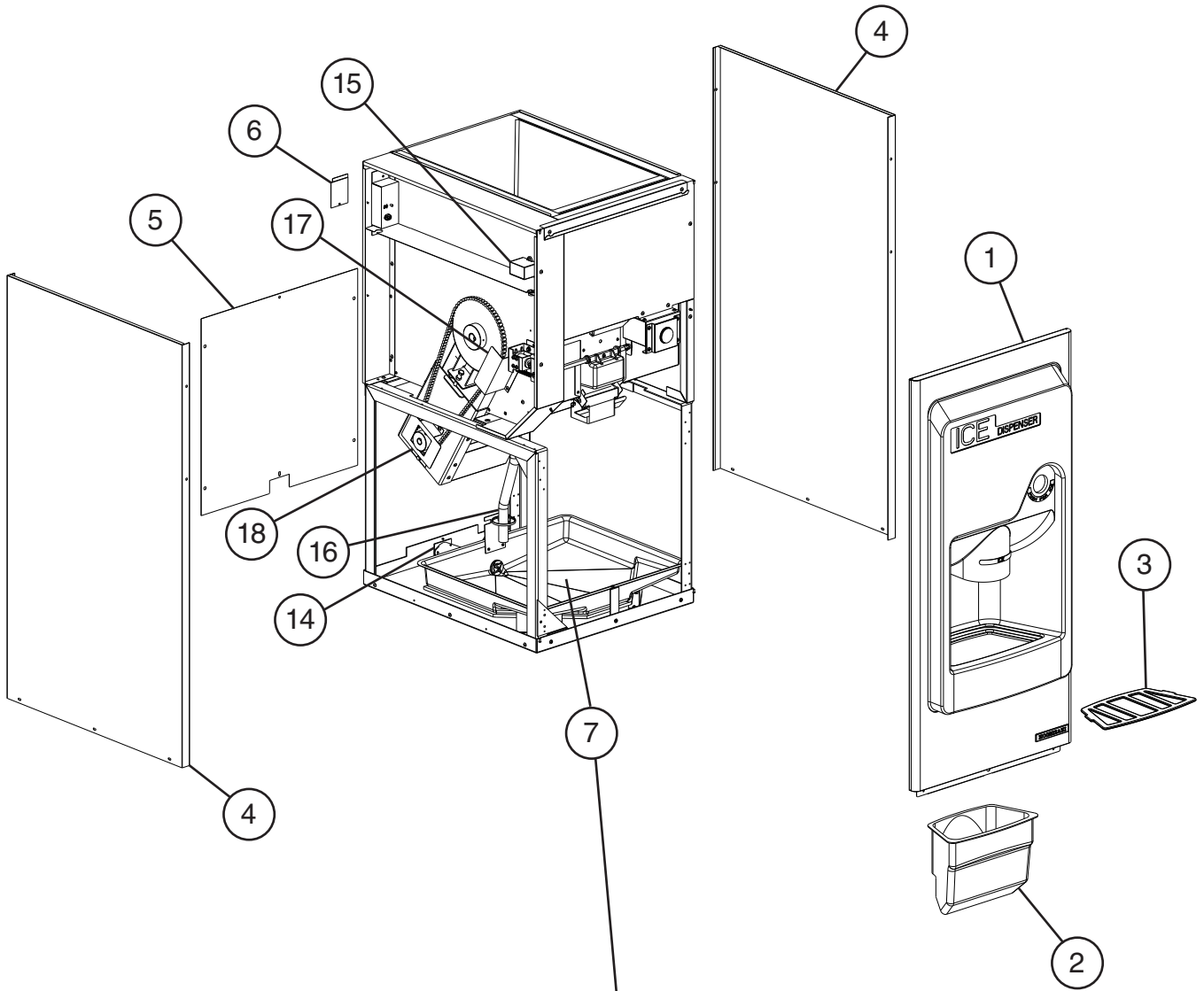
Auxiliary Code Breakdown

The auxiliary code is the first two characters in the serial number. The first character indicates the year. Years progress or regress in alphabetical order. The series runs from "A" through "V" and the letters "I" and "O" are skipped. The second character indicates significant part changes within a year. Base is "5" (0 for auxiliary codes P-0 and earlier) and this number advances for each change.

Note About Ordering Parts

Most assemblies cannot be ordered as complete units; parts in the assemblies generally must be ordered separately.

A. Main Assembly
DB-130H
L-0 to Q-5

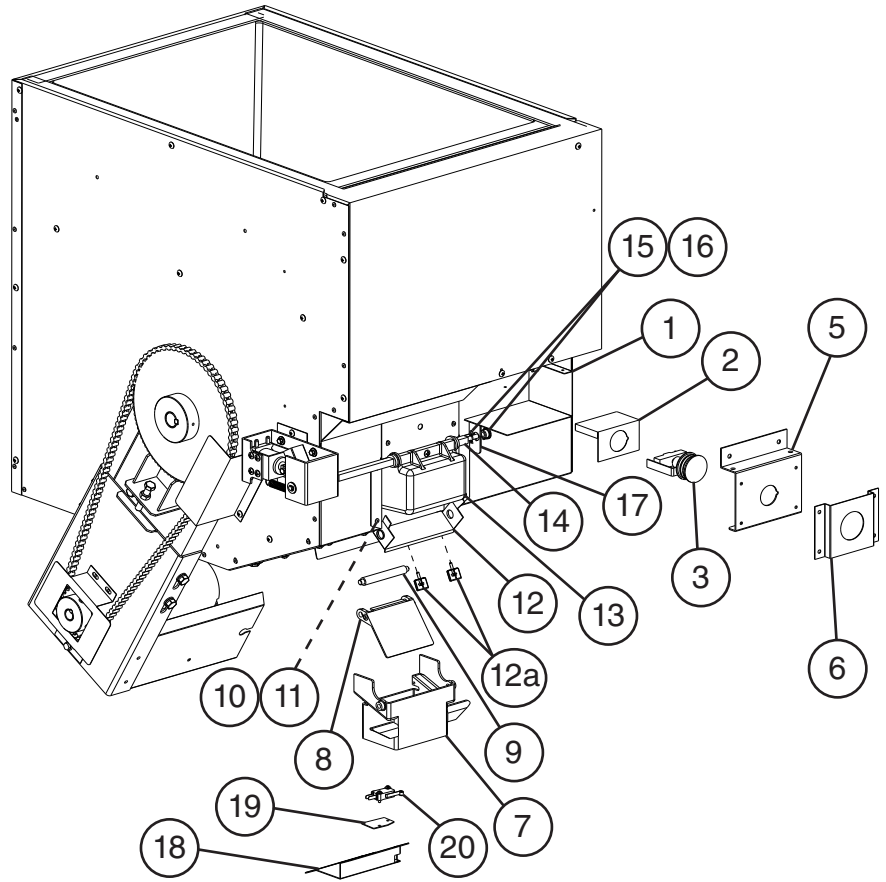


Title: A. Main Assembly Model: DB-130H

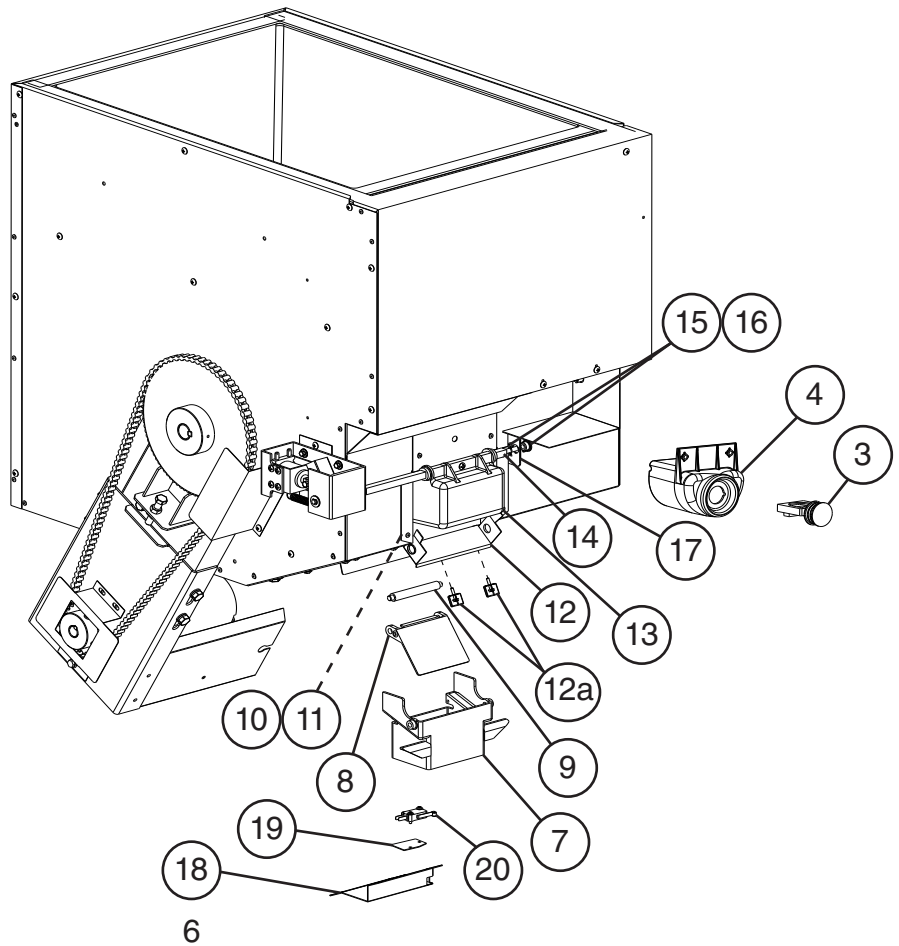
Index No.	Description	Material or Model Number	Part Number	Required Number									
				L-0 to T-5	T-6 to B-6 (D)	B-6 (E) to H-5	H-6 to L-5	L-6 to Q-5					
1	Front Panel (includes items 2 and 3)		1A0606A01	1	1	1	1	-					
			2B0022A01					1					
2	Chute		2A2371-01	1	1	1	1	1					
3	Drain Board		3A2145-01	1	1	1	1	1					
4	Side Panel		2A9619-01	2	2	2	2	2					
5	Rear Panel		324904-01	1	1	1	1	1					
6	Junction Box Cover		433410-01	1	1	1	1	1					
7	Drain Pan Assembly (includes items 8 through 13)		214616A02	1	1	1	1	1					
8	Drain Hose		436315-01	1	1	1	1	1					
9	Drain Fitting		4A5528-02	1	1	1	1	1					
10	Drain		429770-01			1	1	1					
11	Drain Cap		418294-01			1	1	1					
12	Rubber Packing		413857-02			1	1	1					
13	Drain Pan Bracket		435529-01	1	1	1	1	1					
14	Drain Fitting Pad		4A0144-01	1	1	1	1	1					
15	Gear Motor Capacitor	25MFD, 370VAC	3A2005-06	1	-								
		20MFD, 250VAC	4A4319-02		1	1	1	1					
16	Vinyl Hose	L=445 mm	7716-2025	1	1	1	1	1					
17	Chain Cover A		438282-01	1	1	1	1	1					
18	Chain Cover B		438283-01	1	1	1	1	1					

B. Bin Assembly
DB-130H
L-0 to Q-5

J-5(K) and Earlier



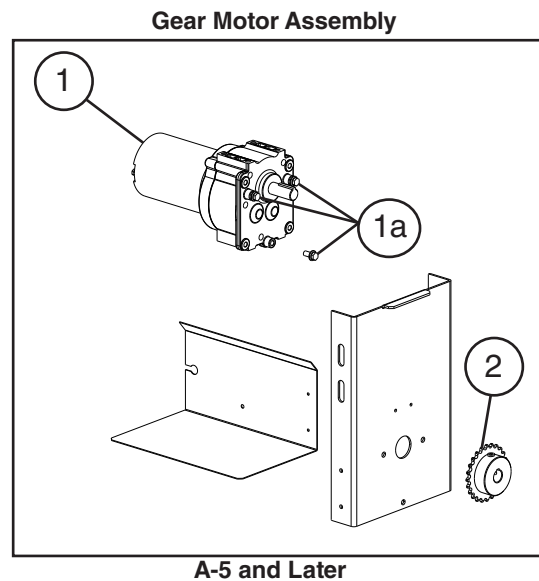
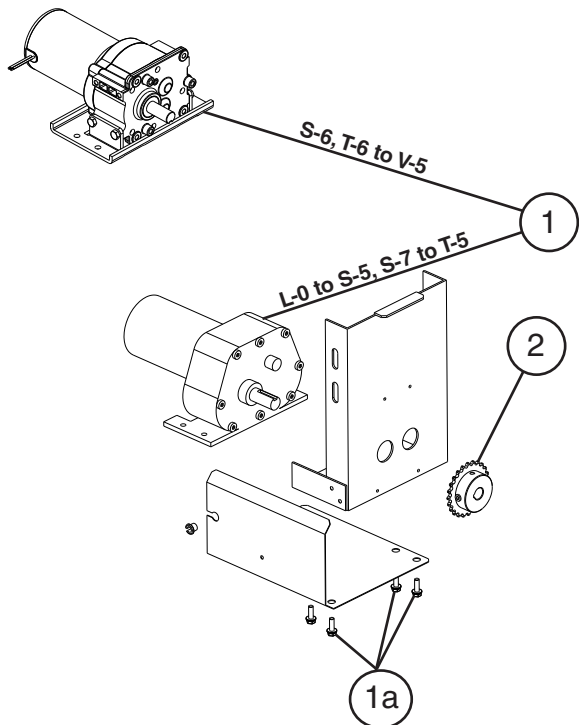
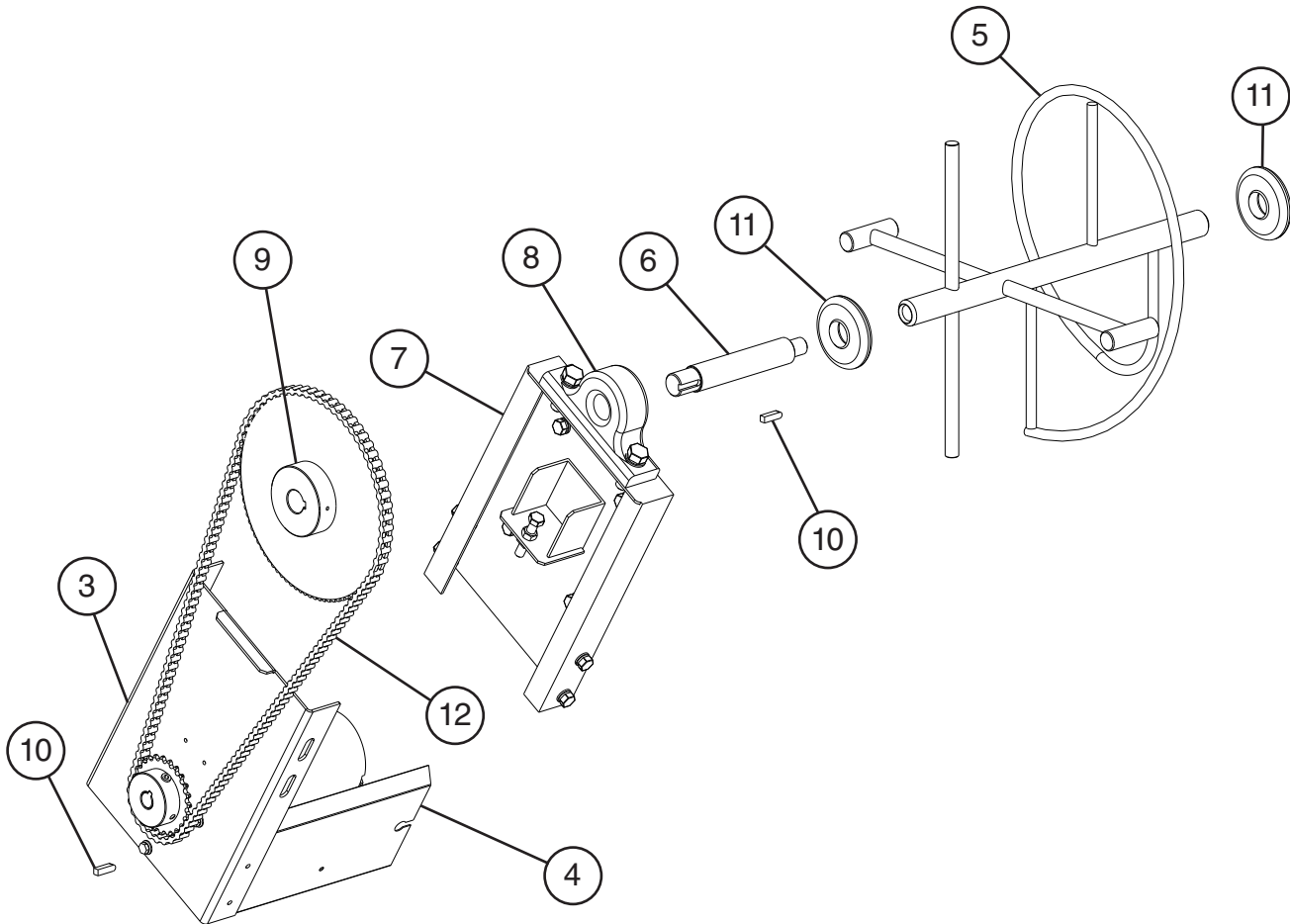
J-5(L) and Later



Title: B. Bin Assembly Model: DB-130H

Index No.	Description	Material or Model Number	Part Number	Required Number									
				L-0 to J-5 (K)	J-5 (L) to Q-5								
1	Spout Switch Cover A		3A1950-01	1	-								
2	Safety Cover		3A0415-01	1	-								
3	Push Switch		435745-01	1	1								
4	Push Switch Housing		3A9824-01		1								
5	Spout Switch Bracket		3A1947-01	1	-								
6	Spout Switch Cover B		4A2459-01	1	-								
7	Spout A		325994-01	1	1								
8	Shutter B		435539-01	1	1								
9	Weight		435540-01	1	1								
10	Shaft D		4A1210-01	1	1								
11	Snap Pin		715S-0004	1	1								
12	Hook		439398-01	1	1								
12a	Thumbscrew		415949G12	2	2								
13	Shutter (A)		215459-01	1	1								
14	Shaft Shutter		324899-01	1	1								
15	Shutter Collar		435533-01	1	1								
16	Snap Pin		715S-0006	1	1								
17	Collar Bracket		439399-01	1	1								
18	Safety Switch Cover		324900-01	1	1								
19	Spacer		429933-01	1	1								
20	Micro-Switch		4A2546-01	1	1								

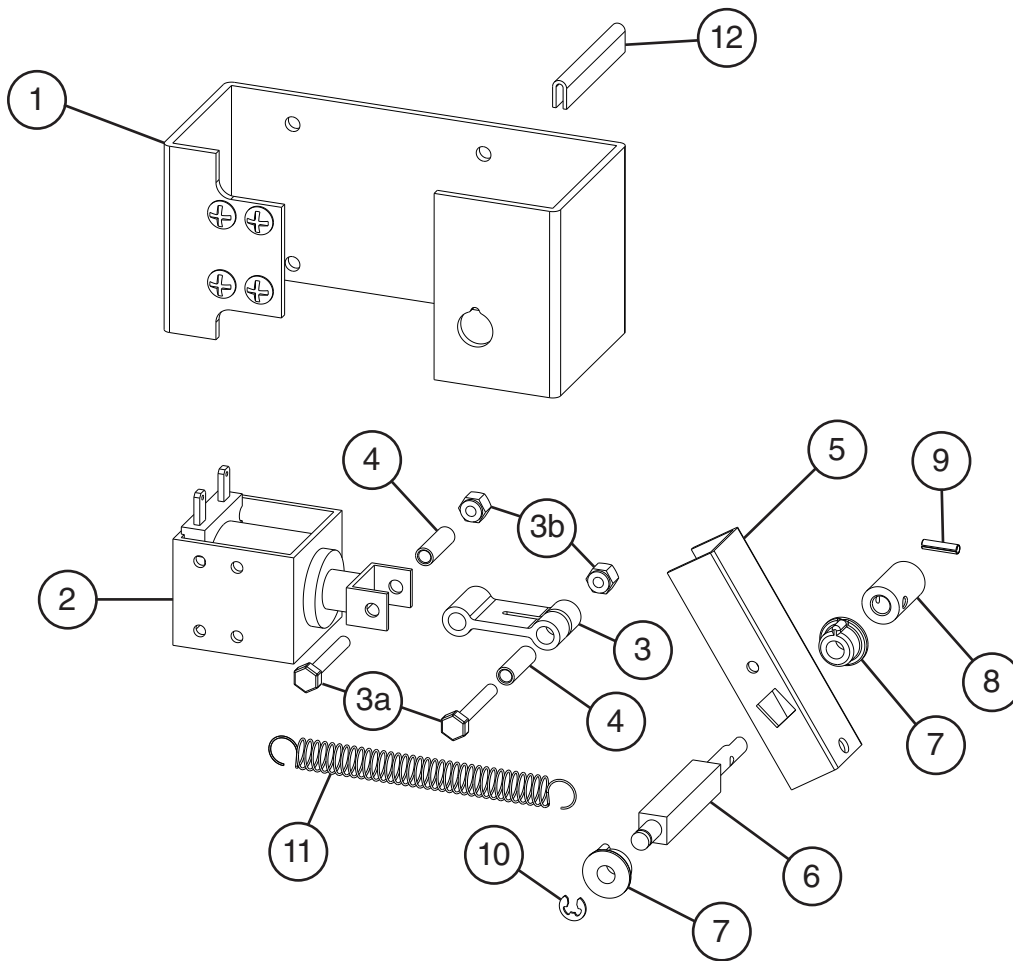
C. Mechanism Assembly
DB-130H
 L-0 to Q-5



Title: C. Mechanism Assembly Model: DB-130H

Index No.	Description	Material or Model Number	Part Number	Required Number											
				L-0 to S-5	S-6	S-7 to T-5	T-6 to T-6 (J)	T-6 (K) to V-5	A-5 to Q-5						
1	Gear Motor		4A0183-01	1	-	1	-								
			4A4264-01		1	-	1	1	-						
			4A5055-01							1					
1a	Bolt	6×20	4A1989-01	4	4	4	4	4	-						
	Hex Head Bolt - Serrated		4A5135-01							3					
2	Sprocket A		435557-01	1	1	1	1	-							
			4A4413-01					1	1						
3	Gear Motor Bracket B		2A0123-01	1	1	1	1	1	-						
			2A5462-01							1					
4	Barrier C		3A0398-01	1	1	1	1	1	-						
			3A5806-01							1					
5	Agitator		324892G01	1	1	1	1	1	1						
6	Drive Shaft		437928-01	1	1	1	1	1	1						
7	Gear Motor Bracket A		2A0450G01	1	1	1	1	1	1						
8	Pillow Block Bearing		435553-02	1	1	1	1	1	1						
9	Sprocket B		435554-01	1	1	1	1	1	1						
10	Key		437265-01	2	2	2	2	2	2						
11	Seal B		435558-01	2	2	2	2	2	2						
12	Chain	130 pitches	435797-01	1	1	1	1	1	1						

D. Solenoid Assembly
DB-130H
 L-0 to Q-5

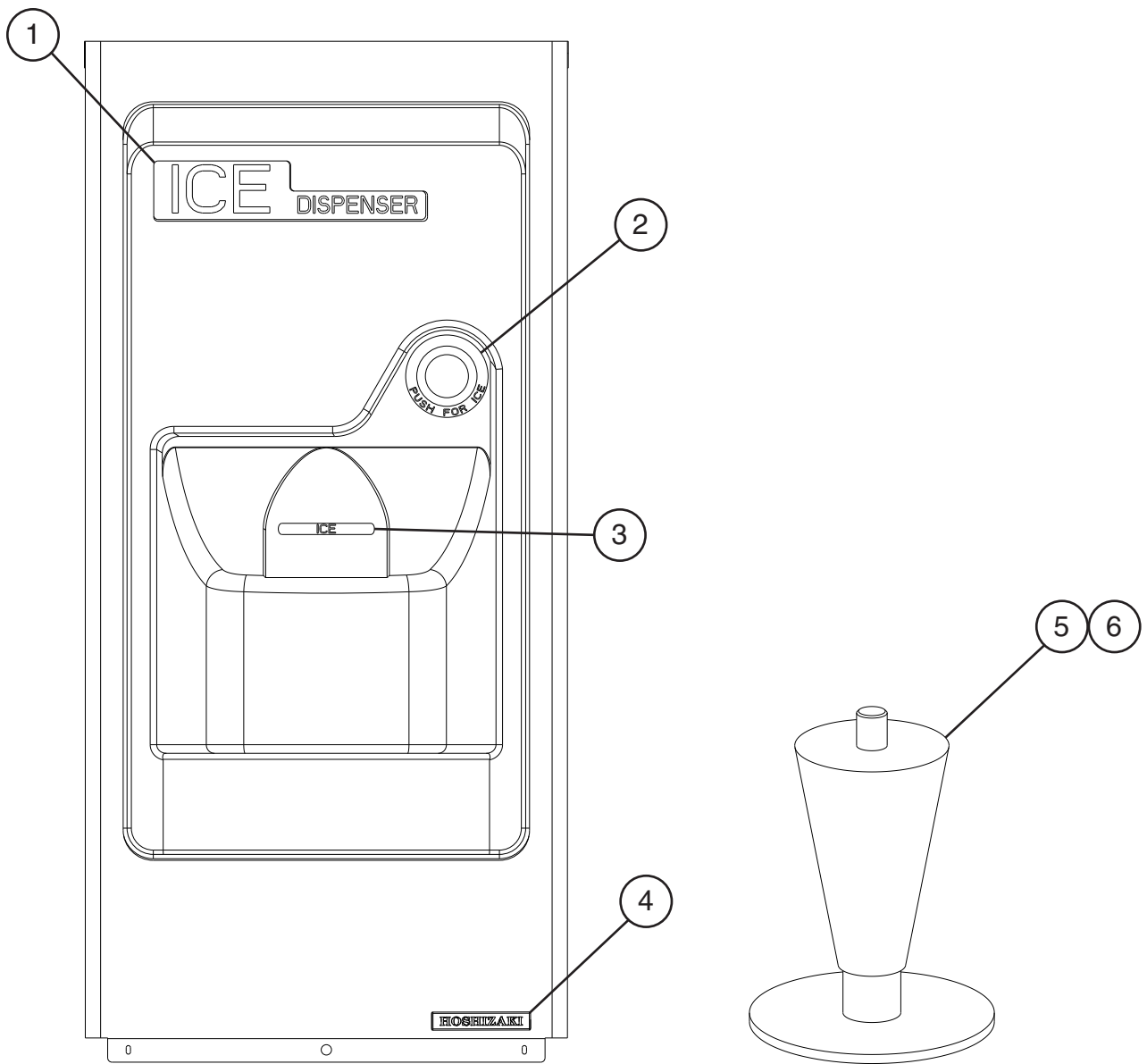


Title: D. Solenoid Assembly Model: DB-130H					Required Number								
Index No.	Description	Material or Model Number	Part Number	L-0 to Q-5									
1	Solenoid Bracket		3A0534-01	1									
2	Solenoid		4A0856-01	1									
3	Link		432232-01	1									
3a	Hex Head Bolt	4x30, SS	7B02-0430	2									
3b	Hex Nut		7N22-0400	2									
4	Collar D		432471-01	2									
5	Link Solenoid		439397-01	1									
6	Shaft		435532-01	1									
7	Shutter Collar		435533-01	2									
8	Connector		435534-01	1									
9	Spring Pin	3x12, SS	712S-0312	1									
10	E-Ring		721S-0005	1									
11	Spring		432878-01	1									
12	Rubber Gasket	L=50 mm	4A0662L01	1									

E. Accessories & Labels

DB-130H

L-0 to Q-5



Title: E. Accessories & Labels Model: DB-130H					Required Number								
Index No.	Description	Material or Model Number	Part Number	L-0 to Q-5									
1	Naming Label		3A2025-01	1									
2	Push Label		4A2472-01	1									
3	Spout Label		4A2469-01	1									
4	Hoshizaki Emblem		4A0560-01	1									
5	Adjustable Leg		4A2526-01	4									
6	Leg Protector		3A0134-01	4									