



DESIGNED SMART. BUILT SOLID.®

RADIANT CONVEYOR TOASTER

MODELS:

X*TRM-2, X*TRM-3, X*TRM-2H, X*TRM-3H



X*TRM-2



X*TRM-3

OWNERS MANUAL

2M-Z25093 REV A (09-24)



WARNING: California Residents Only. This product can expose you to chemicals including chromium which is known to the State of California to cause cancer and birth defects or other reproductive harm. For more information go to www.P65Warnings.ca.gov.



FOR YOUR SAFETY: Do not store or use gasoline or other flammable vapors and liquids in the vicinity of this or any other appliance.



WARNING: Improper installation, operation, service or maintenance can cause property damage, injury or death. Read and understand these instructions thoroughly before positioning, installing, maintaining or servicing this equipment.



Initial heating of appliance may generate smoke or fumes and must be done in a well ventilated area. Overexposure to smoke or fumes may cause nausea or dizziness.

APW Wyott® cooking equipment has been engineered to provide you with year-round dependable service when used according to the instructions in this manual and standard commercial kitchen practices.

This manual includes material related to installation, use, cleaning, and care. Exploded view[s], as well as any available parts list[s] and wiring diagram[s] pertaining to the unit[s] covered by this manual are also included.

This manual must be read and understood by all persons using or installing this appliance. Contact your APW Wyott dealer if you have any questions concerning installation, use, or maintenance of this equipment.

DO NOT DISCARD THIS MANUAL.

APW Wyott Food Service Equipment Company

265 Hobson St. • Smithville, TN 37166

(800) 527-2100 • apwwyott.com









TABLE OF CONTENTS

SECTION	ITEM	PAGE	SECTION	ITEM	PAGE
1	Safety Precautions	2	7	Specifications	9
2	Important Safety Instructions . . .	2	8	Wiring Diagram	11
3	General Information	4	9	Parts with Exploded Views	
4	Installation Instructions	4		XTRM-2 & 2H	12
	Oven Stacking	5		XTRM-3 & 3H	14
5	Operation Instructions	8		Notes	16
6	Cleaning Instructions	8	10	Warranty	19

1. SAFETY PRECAUTIONS





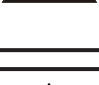
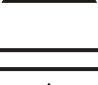


Before installing and operating this equipment be sure everyone involved in its operation is fully trained and is aware of all precautions. Accidents & problems can result by a failure to follow fundamental rules and precautions.

The following words and symbols, found in this manual, alert you to hazards to the operator, service personnel or the equipment. The words are defined as follows:

- | | | |
|-------------------------------------------------------------------------------------|---------------------------------------------------------------------------------------------------------------------------------------------------|---------------------------------------------------------------------------------------|
|  | DANGER: This symbol warns of imminent hazard which will result in serious injury or death. |  |
|  | WARNING: This symbol refers to a potential hazard or unsafe practice, which could result in serious injury or death. |  |
|  | CAUTION: This symbol refers to a potential hazard or unsafe practice, which may result in or moderate injury or product or property damage |  |
|  | NOTICE: This symbol refers to information that needs special attention or must be fully understood even though not dangerous. |  |

APW Wyott takes pride in the design and quality of our products. When used as intended and with proper care and maintenance, you will experience years of reliable operation from this equipment. To ensure best results, it is important that you read and follow the instructions in this manual carefully. Installation and start-up should be performed by a qualified installer who thoroughly read, understands and follows these instruction. If you have questions concerning the installation, operation, maintenance or service of this product, contact APW Wyott Foodservice Equipment Company's " Technical Service Department".

2. IMPORTANT SAFETY INSTRUCTIONS

- | | | |
|-------------------------------------------------------------------------------------|-----------------------------------------------------------------------------------------------------------------------------------------------------------------------------------------------------------------------------------------------------------------------------------------------------------------------------------------|---------------------------------------------------------------------------------------|
|  | IMPORTANT: Read the following important safety instructions to avoid personal injury or death, and to avoid damage to the equipment or property. |  |
|  | WARNING: APW Wyott toasters are designed, built, and sold for commercial use. If positioned where the general public can use them, make sure that all cautions, warnings, and operating instructions are clearly posted near each unit to insure proper operation, reduce the chance of personal injury and/or equipment damage. |  |
|  | WARNING: Plug unit into a properly grounded electrical outlet of the correct voltage, size and plug configuration. If the plug and receptacle do not match, contact a qualified electrician to determine the proper voltage and size and install the proper electrical outlet. |  |
|  | WARNING: Unit is not waterproof. Do not submerge in water. Do not operate if it has been submerged in water. Do not clean the unit with a water jet. |  |



WARNING: To avoid any injury, turn the power switch off at the fuse disconnect switch/circuit breaker or unplug the unit from the power source and allow to cool completely before performing any maintenance or cleaning.



WARNING: To avoid electrical shock, always unplug the unit before performing cleaning or maintenance.



WARNING: For safe and proper operation, the unit must be located a reasonable distance from combustible walls and materials. If safe distances are not maintained, discoloration or combustion could occur.



WARNING: An earthing cable must connect the appliance to all other units in the complete installation and from there to an independent earth connection.



WARNING: To avoid electrical shock or personal injury, do not steam clean or use excessive water on the unit.



WARNING: If service is required on this unit, contact your authorized APW Wyott Service Agent, or contact the APW Wyott Service Department directly at (800) 527-2100.



WARNING: This product has no “user” serviceable parts. To avoid damage to the unit or injury to personnel, use only Authorized APW Wyott Service Agents and genuine APW Wyott Parts when service is required.



WARNING: Genuine APW Wyott Replacement Parts are specified to operate safely in the environments in which they are used. Some aftermarket or generic replacement parts do not have the characteristics that will allow them to operate safely in APW Wyott equipment. It is essential to use APW Wyott Replacement Parts when repairing APW Wyott equipment. Failure to use APW Wyott Replacement Parts may subject operators of the equipment to hazardous electrical voltage, resulting in electrical shock or burn.



CAUTION: Some exterior surfaces on the unit will get hot. Use caution when touching these areas to avoid injury.



CAUTION: Locate the unit at the proper counter height, in an area that is convenient for use. The location should be level to prevent the unit or its contents from accidentally falling, and strong enough to support the weight of the unit and food.



WARNING: In Europe, appliance must be connected by an earthing cable to all other units in the complete installation and thence to an independent earth connection in compliance with EN 60335-1 and/or local codes.



CAUTION: Use only non-abrasive cleaners. Abrasive cleaners could scratch the finish of your unit, marring its appearance and making it susceptible to dirt accumulation.



WARNING: Failure to provide clearances will cause unit failure and invalidate warranty claims (see installation instructions).



! **NOTICE:** Do not use toppings (butter, etc.) on product as product is inverted during normal operation. **!**

! **NOTICE:** Operating toaster without legs invalidates any warranty claims. **!**

! **NOTICE:** Neglecting to keep fan opening clean could result in toaster failure. **!**

3. GENERAL INFORMATION

XTRM-2 3”:

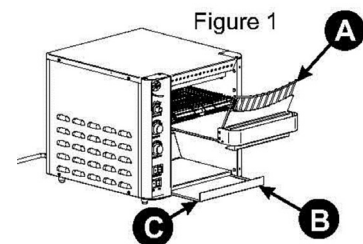
1. Overall Dimensions w/Wire Feeder – 15.033”H (38.183cm) x 16.191”W (41.125cm) x 19.658”D (49.931cm)
2. Product Opening – 1.50”H (3.810cm) x 10.50”W (26.67cm)
3. Electrical Requirements (Single Phase):
 - A. 208V, 2840 Watt, 13.7 Amp.
 - B. 230/240V, 2840 Watt, 11.9 Amp.
 - C. Cordset configuration
 1. Each toaster equipped with three wire grounded cordset and standard 3 prong plug.
4. Net/Shipping Weight – 49lb. (22.26kg)/46lb. (20.865kg)

XTRM-3 3”:

1. Overall Dimensions w/Wire Feeder – 15.033”H (38.183cm) x 19.191”W (48.745cm) x 19.658”D (49.931cm)
2. Product Opening – 1.50”H (3.810cm) x 13.50”W (34.29cm)
3. Electrical Requirements (Single phase):
 - A. 208V, 3340 Watt, 14.0 Amp.
 - B. 230/240V, 3340 Watt, 14.0 Amp.
 - C. Cordset configuration
 1. Each taster equipped with three wire grounded cordset and standard 2 prong plug.
4. Net/Shipping Weight – 50lb. (22.8kg)/47lb. (21.319kg)

4. INSTALLATION INSTRUCTIONS

1. Check Contents - refer to Figure 1, account for the following parts:
 - A. Remove foam pad and slide reflector tray in.
 - B. Ensure tray is properly engaged in the tray slides. To do this, simply hold the front of the tray higher than the rear as the back of the tray must slide under the slide on either side. You will know if done correctly because tray will be secure. No rocking or teetering will take place.
 - C. Toast Drawer - shipped in place
 - D. Instruction Manual - shipped loose









! **Warning:** Operating toaster without reflector tray reduces toasting capabilities. **!**

2. Toaster Placement

- A. Locate toaster near a grounded receptacle of the proper configuration (see below). Plug the cordset directly into receptacle (DO NOT USE AN EXTENSION CORD).
 - 1. In the U.S.: 208, 230/240V uses NEMA 6-20R.
- B. Place toaster on flat surface providing following minimum clearances:
 - 1. Base = one inch (provided with legs installed).
 - 2. Side and back walls = two inches
 - 3. Overhead = Enough space to allow adequate heat displacement.
- C. Position toaster where customers will not contact any surface labeled “CAUTION HOT”.

Oven Stacking

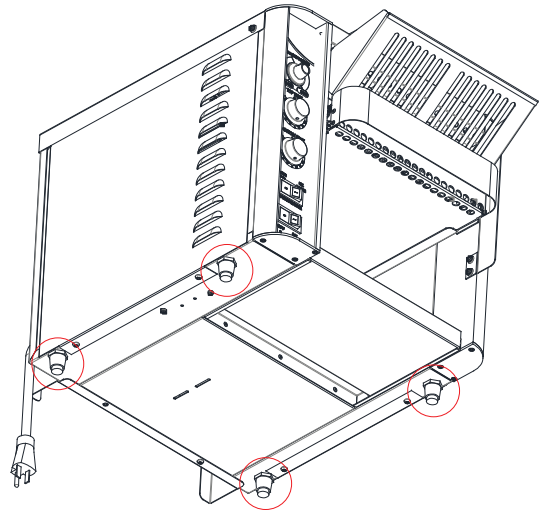
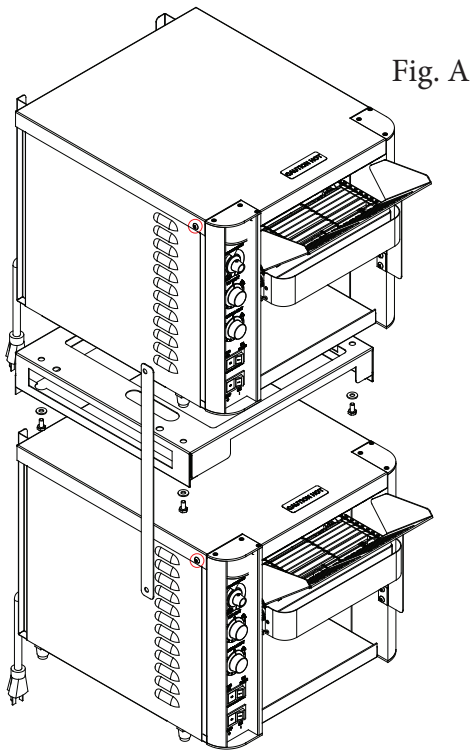
The stacking kit will consist of 2 corner posts, with a metal frame, to be attached between stacked units.

	Warning: When stacking, unit must have proper stacking kit installed. This will prevent overheating and damaging of electrical components.	
	Warning: Do not stack more than three units tall or do not use more than two stacking kits.	
	Warning: Stand off on rear panel of unit is important to allow proper inlet and exhaust fan airflow. Do not cover inlet or exhaust fan openings as this could damage electrical components.	

Reference figures A-E on the following pages

1. Ensure bottom unit is mounted on secure surface, with feet installed.
2. Remove respective corner end caps and screws. This will allow each of the stacking spacer retaining fingers to slide into the extrusions.
3. Remove the feet from the top unit as shown.
4. Secure each stacking spacer to the bottom of the unit as shown by using the tapered guides that lock into position.
5. Once the stacking kit spacers are secure, place top unit onto bottom unit. The stacking kit spacers each have tapered guides to allow the unit to lock into position.
6. Refer to Cleaning Instructions for cleaning of stacking spacers and cleaning between units.

Step 1: Remove (1) screw from upper left side of each unit. Screws circled in red in Fig. A



Step 2: Remove all (4) legs from upper unit. Legs circled in red in Fig. B

Step 3: Use (4) 1/4-20 bolts and (4) washers to attach the frame HC-Z24538 to the bottom side of the upper unit by aligning the holes in the frame with the leg mount holes in the unit. See red lines for hole locations in Fig. C

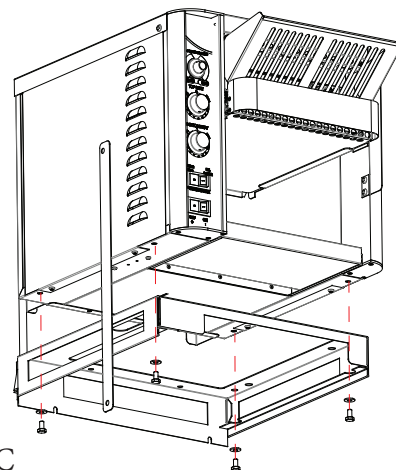
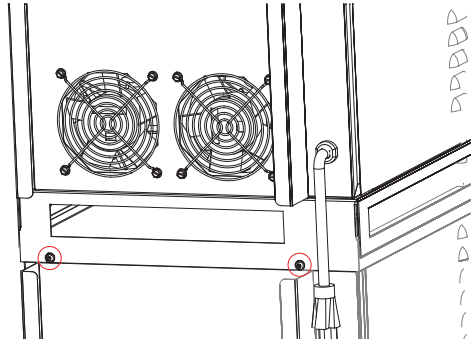


Fig. D



Step 4: Remove (2) screws from top rear of lower unit and add (1) #10 2C-89059 washer to each. Then place upper unit and frame on top of lower unit aligning slots in frame with screw holes on rear of lower unit and reinstall screws and washers. Screws circled in red in Fig. D

Step 5: Add (1) v#10 2C-89059 washer to each of the (2) screws removed in step 1 and attach HC-Z24553 strap to upper and lower unit using these screws and washers. Screws circled in red in Fig. E

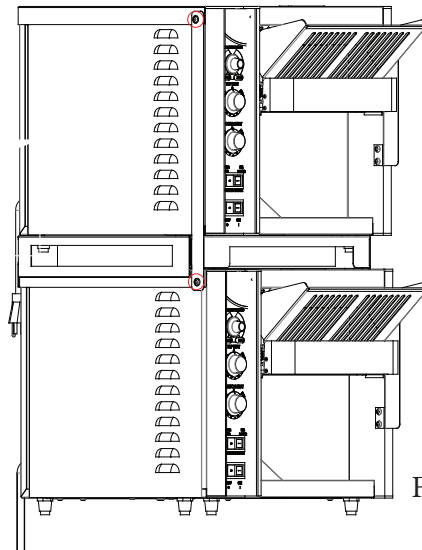


Fig. E

5. OPERATION INSTRUCTIONS

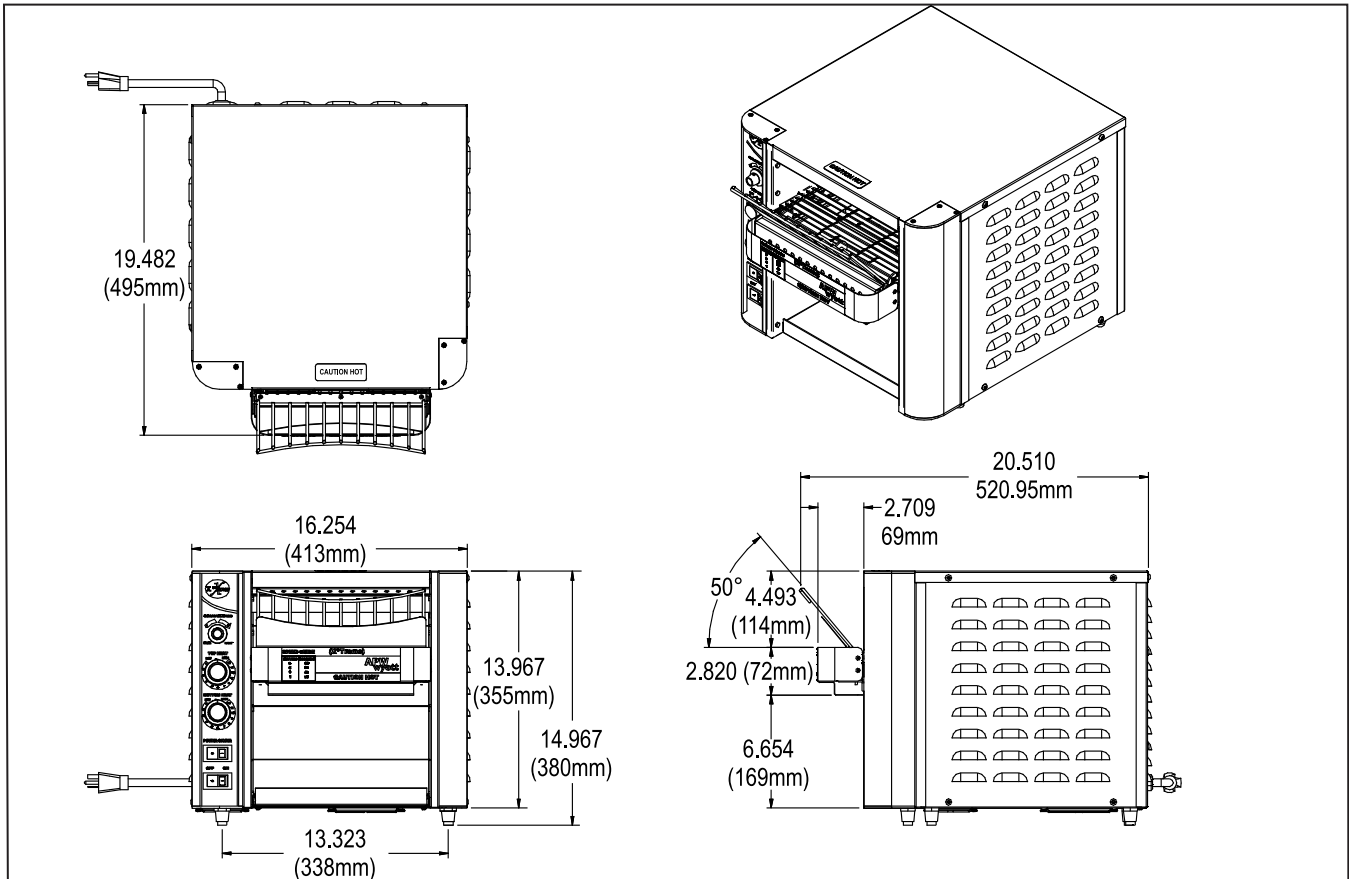
1. Preparation
 - A. Clean toaster thoroughly before first use (See cleaning instructions).
 - B. Controls Familiarity
 1. Main Power Switch (located on very bottom of control panel): There are two rocker switches. The bottom switch powers the unit "ON". It also turns on the bottom element. The top switch is a standby switch that runs the top element. When the standby switch is in the "ON" position the unit is at full power. When the standby switch is in the "OFF" position the unit is running at 50%.
 - a) Full Power: Flip both rocker switches to the right.
 - b) Power Off: Flip both rocker switches to the left.
 - c) Warm-up time: Allow five (5) minutes.
2. Normal Use
 - A. Loading Product
 1. Place product on Wire Feeder. The conveyor will automatically draw product through the toaster at a speed determined by conveyor speed control.
 2. Conveyor Speed Control: Set knob to the three (3) position for warm-up.
3. Thermostat Controls:
 - A. The top thermostat runs the top element & the bottom thermostat runs the bottom element.
 - B. Toasting Darkness: determined by conveyor speed & thermostat control.
 1. Darkest toasting – set conveyor speed control to far left setting & thermostat controls to highest setting.
 2. Lightest toasting – set conveyor speed control to far right setting.
 3. Other factors affecting toasting darkness.
 - a) Product moistness – moister product requires slower speeds
 - b) Sugar content in product – product with more sugar requires slower speeds
 - c) Product Temperature – cools product requires slower speeds
4. For best results, use day old bread stored at room temperature.

6. CLEANING INSTRUCTIONS

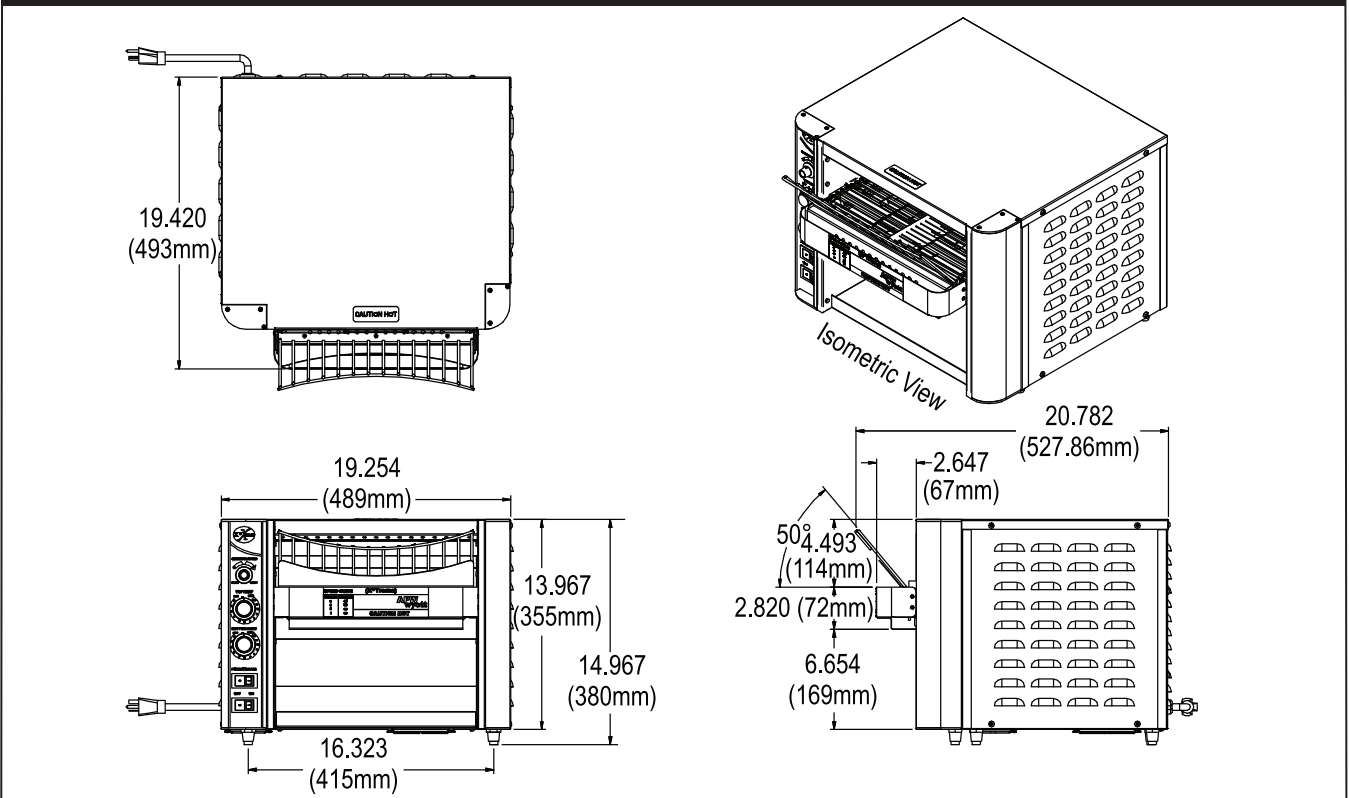
1. Daily Cleaning
 - A. With toaster off and cool, turn toaster on and set conveyor speed to four.
 - B. Using a plastic abrasive pad, wipe the conveyor belt in a back and forth motion (side to side) motion to remove baked-on product. Wipe the conveyor belt in the same manner with a hot, damp cloth.
 - C. Turn off toaster.
 - D. Slide the reflector/crumb tray out of toaster by pulling forward. Dispose of crumbs and wash tray in hot, soapy water. Dry tray and place back in toaster.
 - E. Remove toast drawer from toaster by sliding out and lifting up. Dispose of crumbs and wash drawer in hot, soapy water. Wipe crumbs from inside the toaster with a hot, damp cloth. Dry drawer and place back in toaster.
 - F. Wipe the exterior surfaces of the toaster with a hot, damp cloth.

7. SPECIFICATIONS

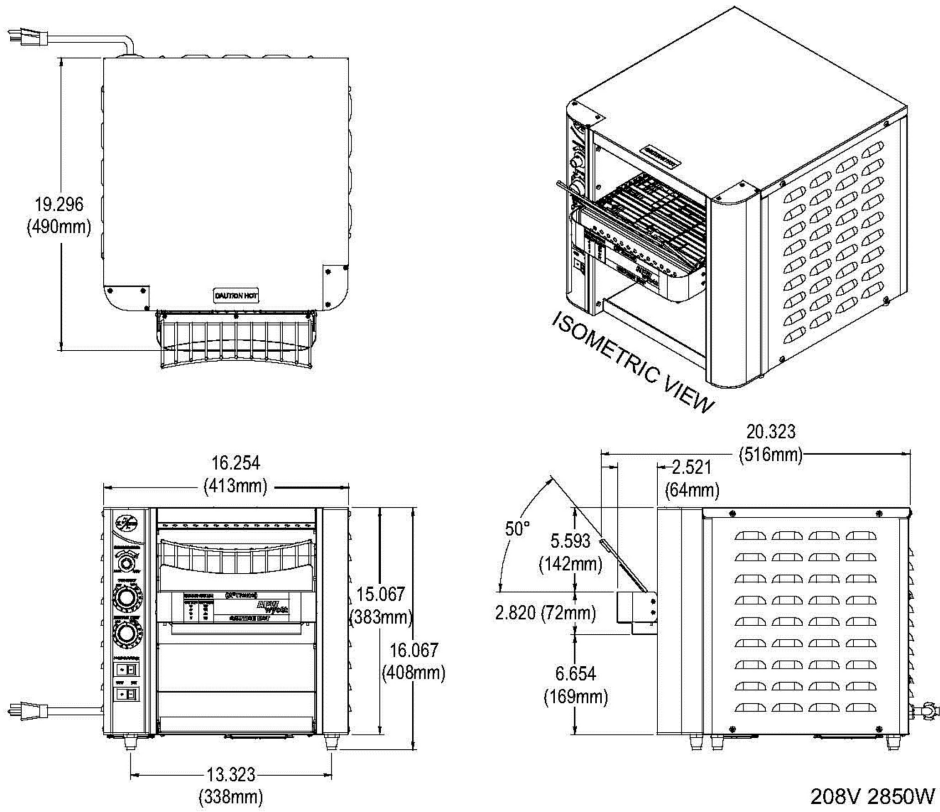
DIMENSIONS – X*TRM®-2



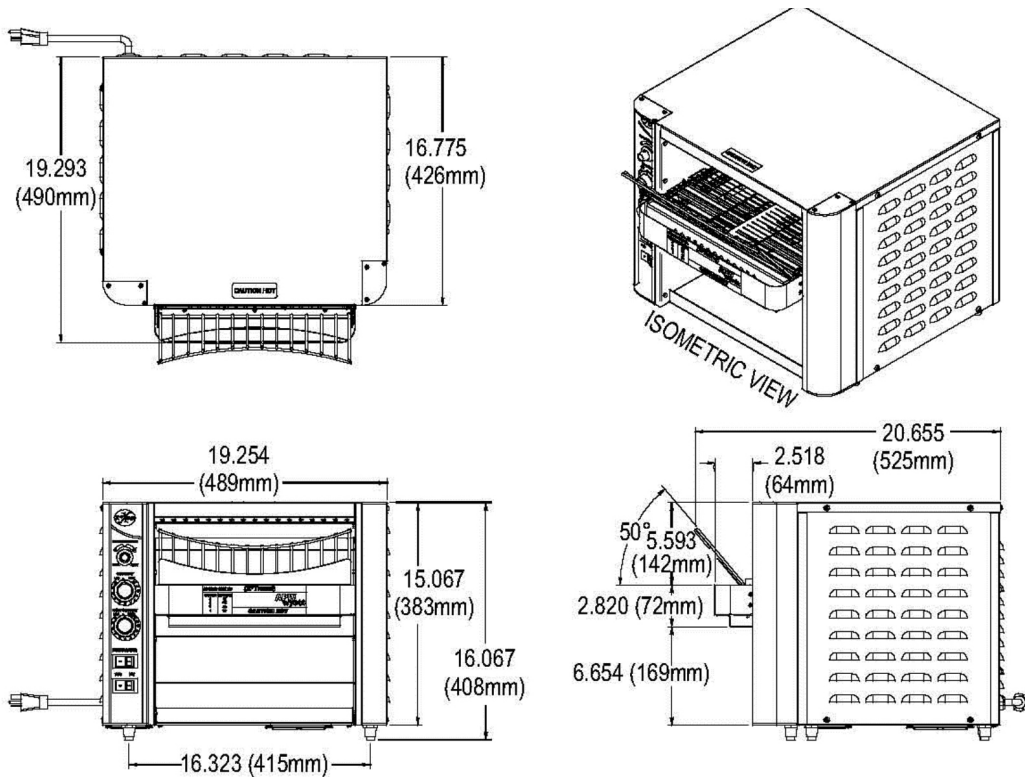
DIMENSIONS – X*TRM®-3



DIMENSIONS – X*TRM®-2H

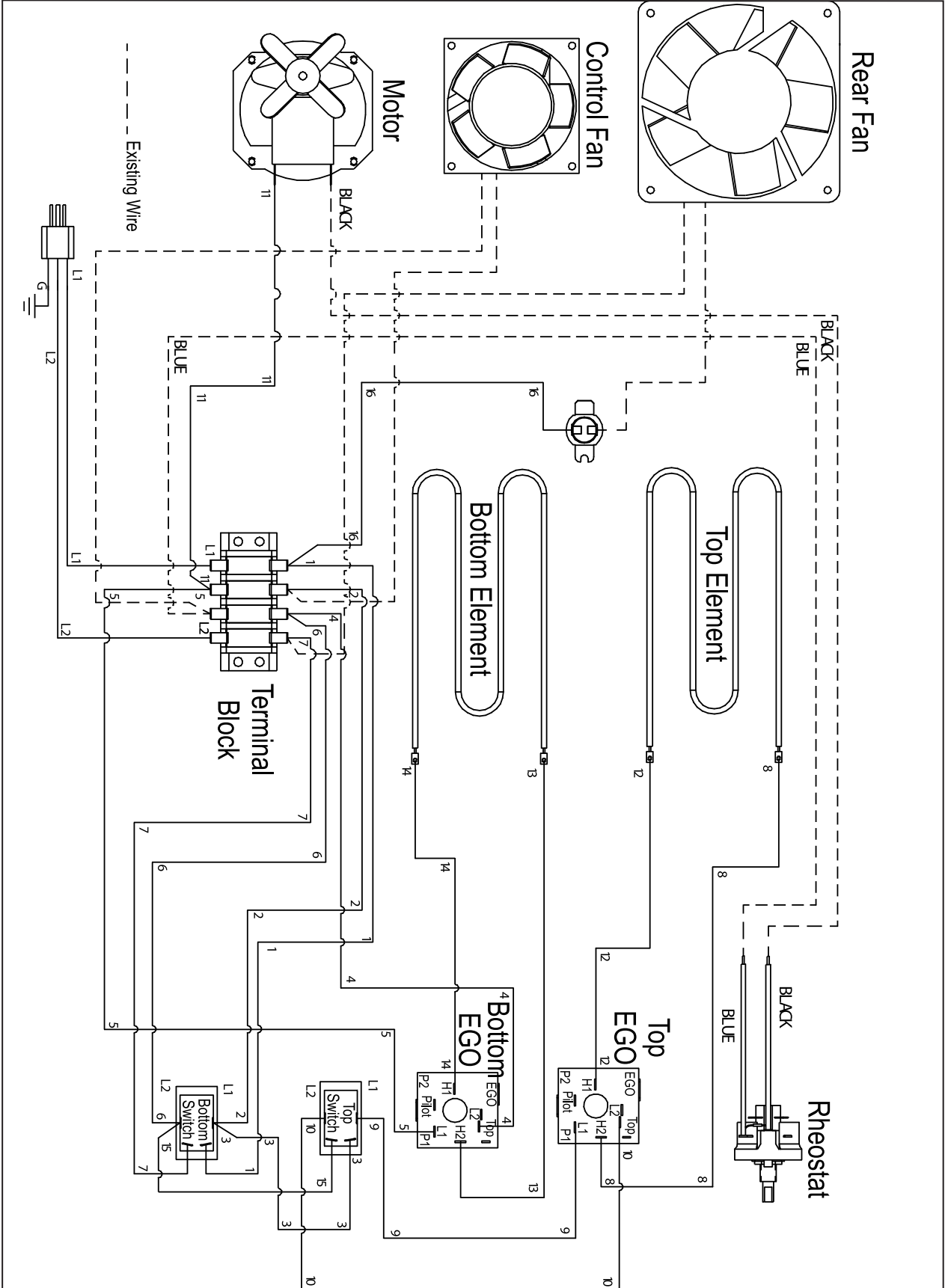


DIMENSIONS – X*TRM®-3H



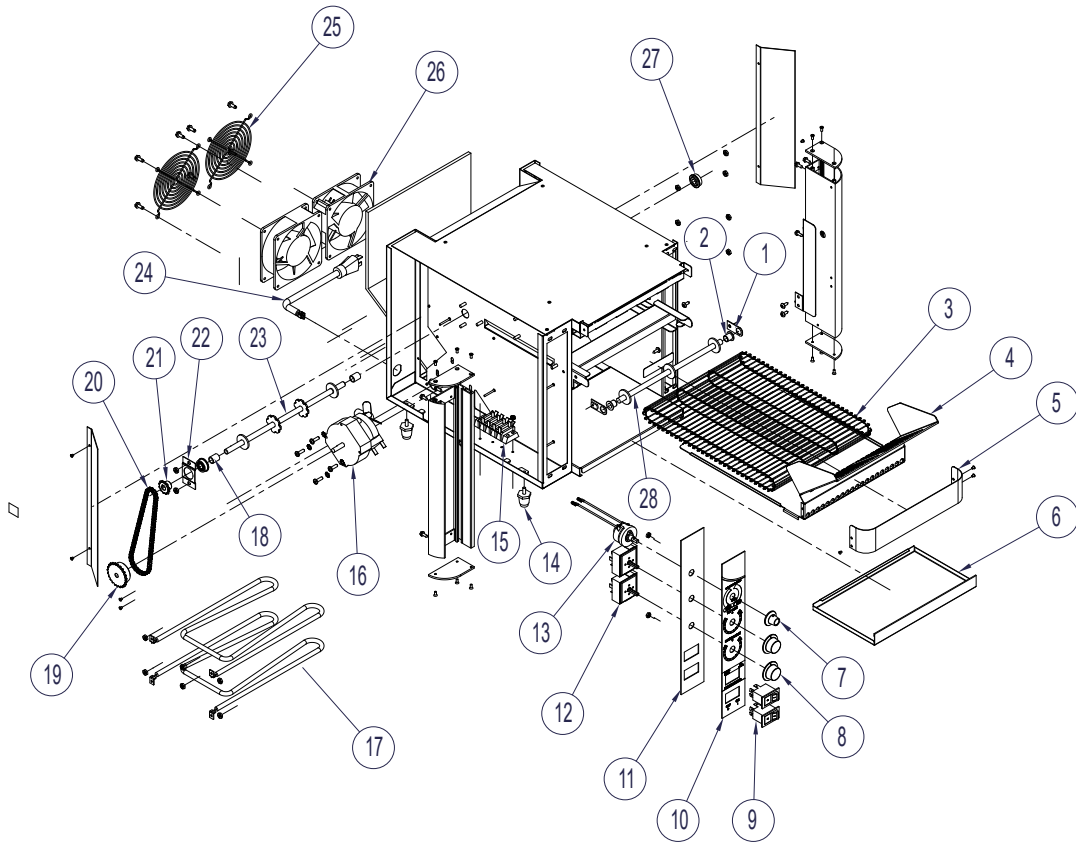
8. WIRING

WIRING DIAGRAM



9. PARTS LISTS & EXPLODED VIEWS

EXPLODED VIEW – X*TRM®-2 & 2H

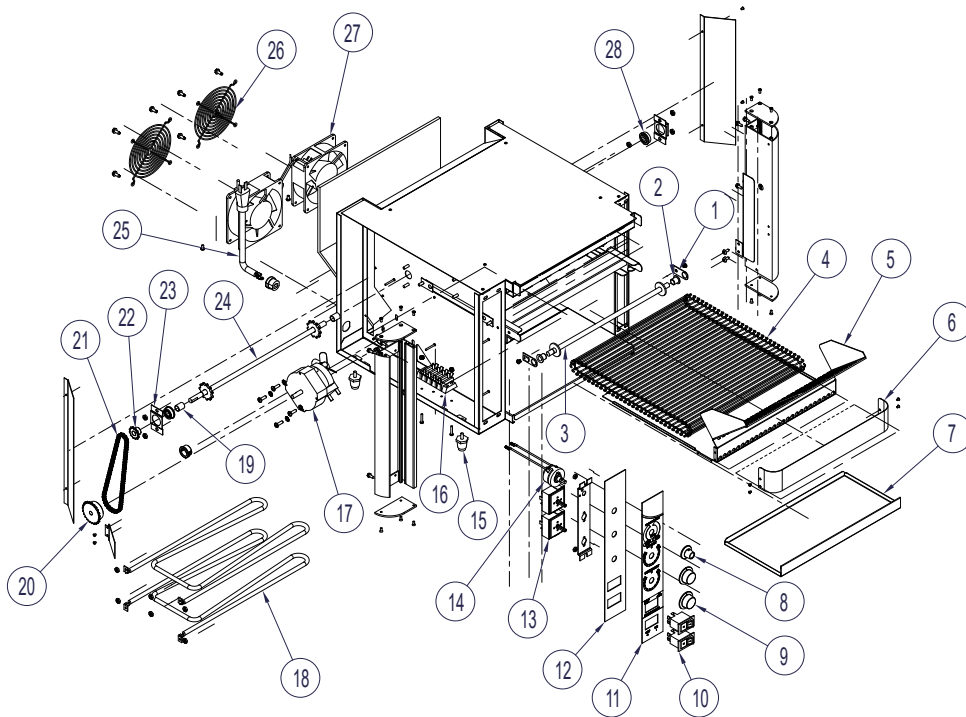


*Dependent on voltage of unit			
ITEM NO.	PART NO.	X2 & X2H SERVICE PARTS LIST	QTY.
1	HC-38130	ASSY, CLIP BEARING	2
2	2P-38125	BEARING FLANGED POLYMER	2
3	2B-93000206	BELT, WIRE 27x.05 3 SEG.	1
4	HC-93302013	TRAY REFLECTOR	1
5	HC-93302077	SAFETY SHIELD	1
6	HC-38129	DRAWER, TOAST	1
7	2R-75617	KNOB W/NO'S. 0 TO 9	1
8	2R-88705	KNOB 039-266 8A BLACK	2
9	2E-70444800	SWITCH, ROCKER ON-OFF	2
10	2M-93302029	LABEL-XTRM CONTROL	1
11	HC-93302047	ASSY, PLATE, CONTROLS	1
12*	2E-M1367A	INFINITE SWITCH-EGO (208V)	2
	2E-M1368A	INFINITE SWITCH-EGO (230/240V)	2
13	2E-83333	RHEOSTAT 208/240 V. PIGGY-BACK TERM	1
14	2A-83267	LEG 1" PLASTIC W/CHROME	4
15	2E-30501-03	TERM STRP 4 POLE W/PUSH ON TRM	1

PARTS LIST CONTINUED – X*TRM®-2 & 2H

16*	2U-85149	MOTOR, AT'S 208/240V 60HZ VARIABLE	1
	2U-85144	MOTOR, AT'S 230V 60HZ VARIABLE	1
17*	2N-93302017	ELEMENT; 1400W 208V	2
	2N-93302053	ELEMENT; 240V 1400W	2
18	2A-93300058	SPACER, CONVEYOR SHAFT	2
19	2P-83209	SPROCKET, 23 TOOTH 1/4 PITCH, 5/16 DIA BORE	1
20	2P-82918	CHAIN, 1/4" DRIVE 70 LINK	1
21	2P-83261	SPROCKET, 12 TOOTH 1/4 PITCH 3/8 BORE	1
22	HC-93300057	BRACKET, BEARING	2
23	HC-83956	DRIVE SHAFT ASSY AT-10 SEGMENTED BELT	1
24	2E-83277	CORDSET, ASSY 208/240V (CORD 85640)	1
25	2R-85287	FAN GUARD	2
26	2U-85284	FAN, COOLING 4.5" 105CFM 208/230V	2
27	2P-83248	BEARING, SHAFT	2
28	HC-38122	W'ASSY IDLER SHAFT	1

EXPLODED VIEW – X*TRM®-3 & 3H



*Dependent on voltage of unit			
ITEM NO.	PART NO.	X2 & X2H SERVICE PARTS LIST	QTY.
1	HC-38130	ASSY CLIP BEARING	2
2	2P-38125	BEARING, FLANGED, POLYMER	2
3	HC-93200070	SHAFT; IDLER XTRM	1
4	HC-83880	CONVEYOR BELT ASSY (76 LINKS)	1
5	HC-93303013	TRAY REFLECTOR	1
6	HC-93303077	SAFETY SHIELD	1
7	HC-93303070	XTRM-3, TOASTER DRAWER	1
8	2R-75617	KNOB, W/NO'S. 0 TO 9	1
9	2R-88705	KNOB 039-266 8A BLACK	2
10	2E-70444800	SWITCH, ROCKER, ON-OFF	2
11	2M-93302029	LABEL-XTRM CONTROL	1
12	HC-93302047	ASSY, PLATE, CONTROLS	1
13*	2E-M1367A	INFINITE SWITCH - EGO (208V)	2
	2E-M1368A	INFINITE SWITCH - EGO (230/240V)	2
14	2E-83333	RHEOSTAT 208/240V PIGGY-BACK TERM	1
15	2A-83267	LEG, 1" PLASTIC W/CHROME	4
16	2E-30501-03	TERM STRP 4 POLE W/PUSH ON TRM	1
17*	2U-85149	MOTOR, ATS, 208/240V 60HZ VARIABLE	1
	2U-85144	MOTOR, ATS, 230V 60HZ VARIABLE	1

18*	2N-93303017	ELEMENT; 1650W	2
	2N-93303057	ELEMENT; 240V 1650W XTTRM	2
19	2A-93300058	SPACER, CONVEYOR SHAFT	2
20	2P-83209	SPROCKET, 23 TOOTH 1/4 PITCH, 5/16 DIA BORE	1
21	2P-82918	CHAIN, 1/4' DRIVE 70 LINK	1
22	2P-83261	SPROCKET, 12 TOOTH 1/4 PITCH 3/8 BORE	1
23	HC-93300057	BRACKET, BEARING	2
24	HC-83976	REAR SHAFT & SPROCKET W/A	1
25	2E-83277	CORDSET, ASSY 208/240V (CORD 85640)	1
26	2R-85287	FAN GUARD	2
27	2U-85284	FAN, COOLING, 4.5" 105CFM 208/230V	2
28	2P-W83248	BEARING SHAFT	2

LIMITED EQUIPMENT WARRANTY

APW (as well as its subsidiaries) warrants to the original purchaser of new APW's products to be free from defects in material or workmanship, under normal and proper use and maintenance service as specified by APW and upon proper installation and start-up in accordance with the instructions supplied with each APW unit. APW's obligation under this warranty is limited to a period of one [1] year beginning from the date of original installation. The warranty period begins upon the earlier of the date of original installation or up to six [6] months after the original shipment, from the factory, of the covered product. Defects that occur as a result of normal use, within the time period and limitations defined in this warranty, will at APW's discretion have the parts replaced or repaired by APW or a APW's-authorized service agency.

THIS WARRANTY IS SUBJECT TO ALL LISTED CONDITIONS

Repairs performed under this warranty are to be performed by an APW authorized service agency. APW will not be responsible for charges incurred or service performed by non-authorized repair agencies. In all cases, the nearest APW-authorized service agency must be used. APW will be responsible for normal labor charges incurred in the repair or replacement of a warranted product within 50 miles (80.5 km) of an authorized service agency. Time and expense charges for anything beyond that distance will be the responsibility of the owner. All labor will need to be performed during regular service hours. Any overtime premium will be charged to the owner. For all shipments outside the U.S.A. and Canada, please see the International Warranty for specific details. It is the responsibility of the owner to inspect and report any shipping damage claims, hidden or otherwise, promptly following delivery. No mileage or travel charges will be honored on any equipment that is deemed portable. In general, equipment with a cord and plug weighing less than 50 lb. (22.7 kg) is considered portable and should be taken or shipped to the closest authorized service agency, transportation prepaid.

CONTACT

Should you require any assistance regarding the operation or maintenance of any APW Manufacturing, phone or email our service department. In all correspondence provide the model number and serial number of the unit needing service; include the voltage or gas type.

Normal Business Hours: 8:00 a.m. to 5:00 p.m. Central

Telephone: 800-264-7827 Tech Service Option 2

Email: TechService@partstown.com

www.apwwyott.com

WARRANTY EXCLUSIONS

THE FOLLOWING WILL NOT BE COVERED UNDER WARRANTY.

APW's sole obligation under this warranty is limited to either repair or replacement parts, subject to the additional limitations detailed below. This warranty neither assumes nor authorizes any person to assume obligations other than those expressly covered by this warranty.

- Any product which has not been used, maintained, or installed in accordance with the directions published in the appropriate installation sheet and/or owner's manual, including incorrect gas or electrical connection. APW is not liable for any unit which has been mishandled, abused, misapplied, subjected to harsh chemicals, modified by unauthorized personnel, damaged by flood, fire, or other acts of nature [or God], or which have an altered or missing serial number.
- Installation, labor, and job checkouts, calibration of heat controls, air and gas burner/bypass/pilot adjustments, gas or electrical system checks, voltage and phase conversions, cleaning of equipment, or seasoning of griddle surface.
- Replacement of fuses or resetting of circuit breakers, safety controls, or reset buttons.
- Replacement of broken or damaged glass components, quartz heating elements, and light bulbs.
- Labor charges for all removable and consumable parts in gas charbroilers and hotplates, including but not limited to burners, grates, and radiants.
- Any labor charges incurred by delays, waiting time, or operating restrictions that hinder a service technician's ability to perform service.
- Replacement of parts that fail or are damaged due to normal wear or labor for replacement of parts that can be replaced during a daily cleaning routine, such as but not limited to silicone belts, PTFE non-stick sheets, control labels, knobs, bulbs, fuses, quartz heating elements, baskets, racks, and grease drawers.
- Any economic loss of business or profits.
- Non-OEM parts. Use of non-OEM parts without APW's approval will void the warranty.
- Units exceeding one [1] year from original installation date.

ADDITIONAL WARRANTIES

- Specific/chain-specific equipment may have additional and/or extended warranties.

The foregoing warranty is in lieu of any and all other warranties expressed or implied and constitutes the entire warranty.



APW Wyott • www.apwwyott.com/
265 Hobson St. • Smithville, TN 37166
Telephone: (800) 527-2100

Printed in the U.S.A. • 2M-Z25093 REV A (09-24)
Specifications are subject to change without notice.

APW *wyott* is a registered trademark of APW Wyott®, A Middleby Company. All rights reserved.