



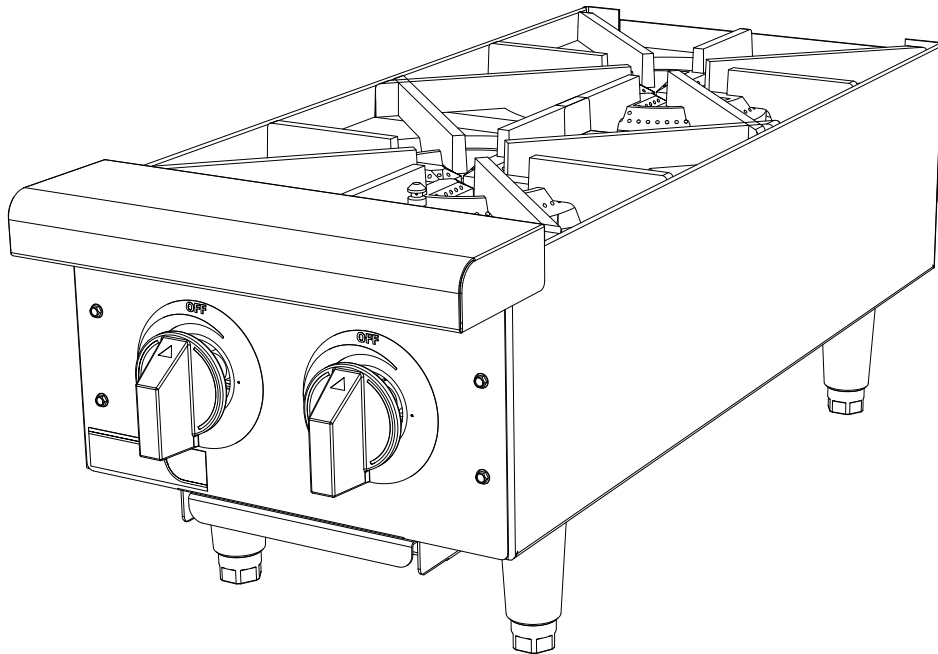
GAS HOT PLATES

Models

GHP-2S, GHP-4S, GHP-6S

Installation and Operation Instructions

2M-Z23813 Rev. - 12-7-2020



SAFETY SYMBOLS



These symbols are intended to alert the user to the presence of important operating and maintenance instructions in the manual accompanying the appliance.



RETAIN THIS MANUAL FOR FUTURE REFERENCE NOTICE

Using any part other than genuine APW Wyott factory supplied parts relieves the manufacturer of all liability.

APW Wyott reserves the right to change specifications and product design without notice. Such revisions do not entitle the buyer to corresponding changes, improvements, additions or replacements for previously purchased equipment.

Due to periodic changes in designs, methods, procedures, policies and regulations, the specifications contained in this sheet are subject to change without notice. While APW Wyott exercises good faith efforts to provide information that is accurate, we are not responsible for errors or omissions in information provided or conclusions reached as a result of using the specifications. By using the information provided, the user assumes all risks in connection with such use.

MAINTENANCE AND REPAIRS

Contact your local authorized service agent for service or required maintenance.

Please record the model number, serial number, voltage and purchase date in the area below and have it ready when you call to ensure a faster service.

Model No. _____
Serial No. _____
Voltage _____
Purchase Date _____

Authorized Service Agent Listing

Reference the listing provided with the unit
or
for an updated listing go to:

Website: www.apwwyott.com
E-mail TechService@Partstown.com
Telephone: (800) 527-2100

The Service Help Desk

Business Hours: 8:00 am to 4:30 p.m. Central Standard Time

Telephone: (800) 527-2100
E-mail TechService@Partstown.com
Website: www.apwwyott.com

Mailing Address: APW Wyott
265 Hobson St
Smithville, TN 37166
U.S.A

GENERAL INSTALLATION DATA



This equipment is designed and sold for commercial use only by personnel trained and experienced in its operation and is not sold for consumer use in and around the home nor for use directly by the general public in food service locations. For equipment to be used by the general public, please contact the factory.

This gas appliance is equipped for the types of gas indicated on the nameplate mounted on the front panel. It is shipped adjusted for use on natural gas.

The installation of the Appliance should conform to the NATIONAL FUEL GAS CODE "ANSI Z223.1 - LATEST EDITION" AND ALL LOCAL GAS COMPANY RULES AND REGULATIONS.

IN CANADA INSTALLATION SHALL BE IN ACCORDANCE WITH THE CURRENT CAN/CGA-B149.1 NATURAL GAS INSTALLATION CODE OR CAN/CGA-B149.2 PROPANE INSTALLATION CODE AND LOCAL CODES WHERE APPLICABLE.

WARNING: Improper installation, adjustment, alteration, service or maintenance can cause property damage, injury or death. Read the installation, operating and maintenance instructions thoroughly before installing or servicing the equipment.

FOR YOUR SAFETY

DO NOT STORE OR USE GASOLINE OR OTHER FLAMMABLE VAPORS AND LIQUIDS IN THE VICINITY OF THIS OR ANY OTHER APPLIANCE. KEEP THE APPLIANCE AREA CLEAR AND FREE FROM COMBUSTIBLES.

This appliance, its pressure regulator and its individual shutoff valve must be disconnected from the gas supply piping system during any pressure testing of that system at test pressures in excess of 1/2 PSIG. This appliance and its pressure regulator must be isolated from the gas supply piping system by closing its individual manual shutoff valve during any pressure testing of the gas supply piping system at test pressures equal to or less than 1/2 PSIG. For your protection, we recommend a qualified installing agency install this appliance. They should be familiar with gas installations and your local gas requirements. In any case, your gas company should be called to approve the final installation. In addition, there should be posted, in a prominent location, detailed instructions to be followed in the event the operator smells gas. Obtain the instructions from the local gas supplier.

LEVELING UNIT

Units are shipped with feet detached. To attach feet, remove the grates, lay unit on it's side and screw feet into sockets on bottom. Level unit by adjusting the (4) feet which have an adjustment of 1-3/4" for accurate and perfect line-up with other Star-Max series units.



DO NOT REMOVE FEET.

GAS PIPING

Gas piping shall be new, clean and of such size and so installed as to provide a supply of gas sufficient to meet the full gas input of the appliance. If the appliance is to be connected to existing piping, it shall be checked to determine if it has adequate capacity. Joint compound (pipe dope) shall be used sparingly and only on the male threads of the pipe joints. Such compounds shall be resistant to the action of L.P. gases. **WARNING:** Any loose dirt or metal particles which are allowed to enter the gas lines on the appliance will damage the automatic valve and affect its operation. When installing this appliance, all pipe and fittings must be free from all internal loose dirt.

CLEARANCE

Minimum wall clearances for the sides and back of the models contained in this manual shall be as follows:

	Combustible Wall	Non-Combustible Wall
Hotplates	9"	0"

PRESSURE REGULATOR

A convertible pressure regulator set at 6" water column for use on natural gas is furnished. (For LP models the regulator is set for 10" water column pressure.) Attach the regulator to the supply pipe, located at the back of the unit, make sure gas flow arrow on regulator is pointing towards manifold. The gas supply is then connected to the regulator. A 1/8" tap is furnished on the manifold for checking pressure. The manifold is accessible by removing the front panel.

MANUAL SHUT OFF VALVE

A manual shut off valve should be installed upstream from the unit and within six feet of the appliance, and is not provided.

CONNECTING GAS SUPPLY LINE

The gas inlet on this appliance is sealed at the factory to prevent entry of dirt. Do not remove this seal until the actual connection is made to the gas supply line.

CHECKING FOR GAS LEAKS

Soap and water solution or other material acceptable for the purpose, shall be used in locating gas leakage. Matches, candle flame or other sources of ignition shall not be used for this purpose.

AIR SUPPLY

Provisions for adequate air supply must be furnished.

AIR INTAKES IN BOTTOM

Make certain the air intake openings in the bottom of the appliance are not obstructed. They are essential for proper combustion and operation of the appliance.

EXHAUST CANOPY

It is essential that facilities be provided to carry off fumes and gases.

GAS INPUT OF OPEN TOP RANGES

For Natural Gas: Regulator output pressure set at 6" water column.W

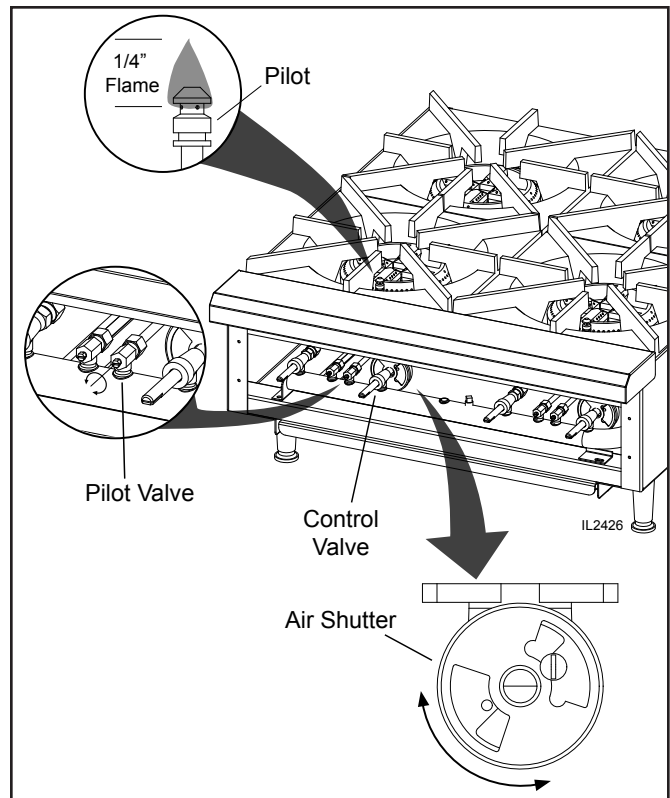
For Propane Gas: Regulator output pressure set at 10" water column.

Note: The appliance is equipped with natural gas orifice hoods. A separate set of hoods will be provided for use on propane gas. The propane hoods are located on the front panel. Factory set LP models do not include the natural gas hoods.

LIGHTING INSTRUCTIONS

The appliance is equipped with standing pilots; each pilot is located in front of the burner on Models GHP-2S, GHP-4S, GHP-6S. Pilots should be lighted immediately after the gas is turned on by the manual shutoff valve.

1. Turn control knobs to "OFF" position.
2. Light pilot with a lighted taper.
3. The pilot valves are located on the manifold installed at the front of the unit behind the front panel. For access to the valves
4. Loosen the set screws securing the knobs in position, and remove the knobs. Remove the front panel, which is attached to the frame with 4 sheet metal screws.
5. Turn the adjustment screws on the front of the pilot valves. The pilots should be adjusted to blue short flame (1/4" high) to have good ignition to the burners. Repeat for remaining pilots.
6. If the pilot(s) is out turn off gas, wait 5 minutes and repeat steps (1) through (5).



ADJUSTING BURNERS

7. With control valve for the front burner turned to full "ON" position, close the air shutters to give a soft blue flame having luminous tips and open to a point where the yellow tips disappear, then tighten the locking screws. Repeat this procedure with the remaining burners.
8. Install the front panel to the front of the frame & reconnect and secure the knobs back into position.

ADJUSTING UNIT FOR USE ON PROPANE GAS

Units are shipped with orifices and pressure regulator for operation with natural gas (6" water column). To convert unit from natural to propane gas follow these instructions

1. Set regulator outlet pressure to 10" water column. A 1/8" pipe plug on the manifold can be removed for attaching a pressure gauge. Remove the slotted cover from the pressure regulator and invert the plug. Replace the cover on the regulator and plug on the manifold. Regulator is now set at 10" W.C.
2. Remove natural gas orifices, #46 for all models, and install propane orifices, painted black, (#54 for all models except) located in a bag on the outside of the front panel. In order to remove natural gas orifices:
 - a. Remove grates and burners.
 - b. Remove orifices from the manual valves and from fittings on extended gas pipes, replace with the propane orifices.
 - c. Install burners and grates.

OPERATING PROCEDURE

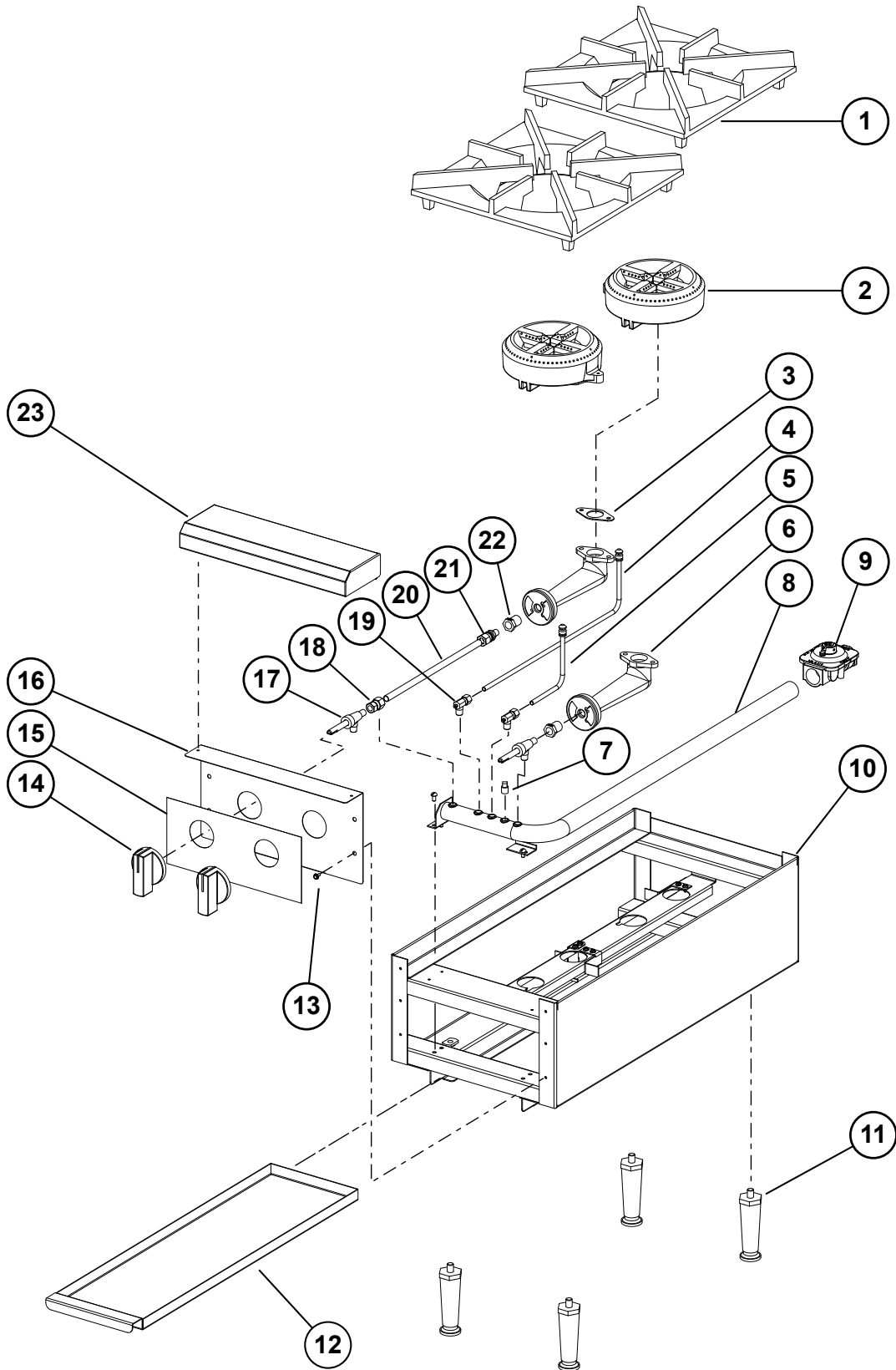
Each burner will deliver up to 22,000 BTU/HR of heat on all models and is controlled by a manual On/Off valve. The right control knob controls the front burner and the left control knob controls the rear burner on all models. After the pilot is once lit and adjusted, the burners will ignite automatically by turning the control knob to any position between On and Off.

CLEANING THE EXTERIOR (Stainless Steel Only)

The exterior surface can be kept clean and attractive by regularly wiping it with a clean soft cloth. Any discoloration can be removed with a non-abrasive cleaner. The burner grates and trough tray can be removed for cleaning.

MAINTENANCE AND REPAIRS

Contact the factory or one of its representatives or a local service company for service or maintenance if required.



MODEL: GHP-2S, GHP-4S, GHP-6S
 Gas Hotplates



SK2969

REV -

12/7/2020

PARTS LIST

December 7, 2020 Rev -

MODEL: GHP-2S, GHP-4S, GHP-6S, Gas Hotplates

FIG No.	Part No	Qty	Description	Application
1	2F-Z16681	2	GRATE, HOTPLATE	GHP-S2
		4		GHP-S4
		6		GHP-S6
2	2F-Z0615	2	BURNER 7" ROUND	GHP-S2
		4		GHP-S4
		6		GHP-S6
3	2I-Z0752	2	GASKET-BURNER	GHP-S2
		4		GHP-S4
		6		GHP-S6
4	I4-602014	1	PILOT TUBE ASSY LONG	GHP-S2
		2		GHP-S4
		3		GHP-S6
5	I4-602013	1	PILOT TUBE ASSY SHORT	GHP-S2
		2		GHP-S4
		3		GHP-S6
6	2F-Z0747	2	VENTURI SHORT CASTING	GHP-S2
		4		GHP-S4
		6		GHP-S6
7	2P-1453	1	PLUG-PIPE 1/8NPT SQ HD	ALL
8	2J-602012	1	MANIFOLD ASSEMBLY	GHP-S2
	2J-604002			GHP-S4
	2J-606002			GHP-S6
9	2J-Z0792	1	REGULATOR	ALL
10	I4-HP0023	1	BODY ASSEMBLY	GHP-S2
	I4-HP0031		BODY ASSEMBLY	GHP-S4
	I4-HP0036		BODY ASSEMBLY	GHP-S6
11	2A-Z5942	4	FOOT, 4 IN DIE CAST	GHP-S2
12	I4-Z6024	1	PAN-12	GHP-S2
	I4-Z6025		PAN-24	GHP-S4
	I4-Z6026		PAN-36	GHP-S6
13	2C-8833	AR	SCREW 8-18X1/2 HEX STL NP	GHP-S2
14	2R-8706320	2	KNOB, MANUAL GAS	GHP-S2
		4		GHP-S4
		6		GHP-S6
15	2M-Z15449	2	GRAPHIC PANEL, 12" HTPLT	GHP-S2
		4	GRAPHIC PANEL, 24" HTPLT	GHP-S4
		6	GRAPHIC PANEL, 36" HTPLT	GHP-S6
16	I4-Z15485	1	FRONT PANEL-12	GHP-S2
	I4-Z15492		FRONT PANEL-24	GHP-S4
	I4-Z15493		FRONT PANEL-36	GHP-S6

**IMPORTANT: WHEN ORDERING, SPECIFY VOLTAGE OR TYPE GAS DESIRED
INCLUDE MODEL AND SERIAL NUMBER**

PAGE 1
OF 2

Some items are included for illustrative purposes only and in certain instances may not be available.

PARTS LIST

December 7, 2020 Rev -

MODEL: GHP-2S, GHP-4S, GHP-6S, Gas Hotplates

Fig No.	Part No	Qty	Description	Application
17	2V-Y8832	2	VALVE-MANUAL GAS	GHP-S2
		4		GHP-S4
		6		GHP-S6
18	2A-Z0790	1	FITTING-STRAIGHT	GHP-S2
		2		GHP-S4
		3		GHP-S6
19	2V-6671	2	VALVE-LINCOLN BRASS#3817	GHP-S2
		4		GHP-S4
		6		GHP-S6
20	2V-Z0869	1	TUBE 3/8 DIA	GHP-S2
		2		GHP-S4
		3		GHP-S6
21	2A-Y3961	1	ORIFICE FITTING	GHP-S2
		2		GHP-S4
		3		GHP-S6
22	2A-Y3297	2,4,6	ORIFICE #46 NAT	ALL
	2A-Z1455	2,4,6	ORIFICE #54 LP	ALL
23	I4-HP0019	1	FRONT BULLNOSE ASSY 12"	GHP-S2
	I4-HP0020		FRONT BULLNOSE ASSY 24"	GHP-S4
	I4-HP0021		FRONT BULLNOSE ASSY 36"	GHP-S6

**IMPORTANT: WHEN ORDERING, SPECIFY VOLTAGE OR TYPE GAS DESIRED
INCLUDE MODEL AND SERIAL NUMBER**

PAGE 2
OF 2

Some items are included for illustrative purposes only and in certain instances may not be available.

LIMITED EQUIPMENT WARRANTY

APW warrants to the original purchaser of new APW's products to be free from defects in material or workmanship, under normal and proper use and maintenance service as specified by APW and upon proper installation and start-up in accordance with the instructions supplied with each APW unit. APW's obligation under this warranty is limited to a period of one [1] year from the date of original installation, or eighteen [18] months from original invoice date, whichever occurs first. Defects that occur as a result of normal use, within the time period and limitations defined in this warranty, will at APW's discretion have the parts replaced or repaired by APW or a APW-authorized service agency.

THIS WARRANTY IS SUBJECT TO ALL LISTED CONDITIONS

Repairs performed under this warranty are to be performed by an APW authorized service agency. APW will not be responsible for charges incurred or service performed by non-authorized repair agencies. In all cases, the nearest APW-authorized service agency must be used. APW will be responsible for normal labor charges incurred in the repair or replacement of a warranted product within 50 miles (80.5 km) of an authorized service agency. Time and expense charges for anything beyond that distance will be the responsibility of the owner. All labor will need to be performed during regular service hours. Any overtime premium will be charged to the owner. For all shipments outside the U.S.A. and Canada, please see the International Warranty for specific details. It is the responsibility of the owner to inspect and report any shipping damage claims, hidden or otherwise, promptly following delivery. No mileage or travel charges will be honored on any equipment that is deemed portable. In general, equipment with a cord and plug weighing less than 50 lb. (22.7 kg) is considered portable and should be taken or shipped to the closest authorized service agency, transportation prepaid.

CONTACT

Should you require any assistance regarding the operation or maintenance of any APW Manufacturing; phone or email our service department. In all correspondence provide the model number and serial number of the unit needing service; include the voltage or gas type.

Normal Business Hours: 8:00 a.m. to 4:30 p.m. Central

Telephone: 800-264-7827 Tech Service Option 2

Email: TechService@partstown.com

www.apwwyott.com

WARRANTY EXCLUSIONS

THE FOLLOWING WILL NOT BE COVERED UNDER WARRANTY.

APW's sole obligation under this warranty is limited to either repair or replacement parts, subject to the additional limitations detailed below. This warranty neither assumes nor authorizes any person to assume obligations other than those expressly covered by this warranty.

- Any product which has not been used, maintained, or installed in accordance with the directions published in the appropriate installation sheet and/or owner's manual, including incorrect gas or electrical connection. APW is not liable for any unit which has been mishandled, abused, misapplied, subjected to harsh chemicals, modified by unauthorized personnel, damaged by flood, fire, or other acts of nature [or God], or which have an altered or missing serial number.
- Installation, labor, and job checkouts, calibration of heat controls, air and gas burner/bypass/pilot adjustments, gas or electrical system checks, voltage and phase conversions, cleaning of equipment, or seasoning of griddle surface.
- Replacement of fuses or resetting of circuit breakers, safety controls, or reset buttons.
- Replacement of broken or damaged glass components, quartz heating elements, and light bulbs.
- Labor charges for all removable and consumable parts in gas charbroilers and hotplates, including but not limited to burners, grates, and radiants.
- Any labor charges incurred by delays, waiting time, or operating restrictions that hinder a service technician's ability to perform service.
- Replacement of parts that fail or are damaged due to normal wear or labor for replacement of parts that can be replaced during a daily cleaning routine, such as but not limited to silicone belts, PTFE non-stick sheets, control labels, knobs, bulbs, fuses, quartz heating elements, baskets, racks, and grease drawers.
- Any economic loss of business or profits.
- Non-OEM parts. Use of non-OEM parts without APW's approval will void the warranty.
- Units exceeding one [1] year from original installation date, or more than eighteen [18] months from original invoice date, whichever comes first.

ADDITIONAL WARRANTIES

- Specific/chain-specific equipment may have additional and/or extended warranties.

The foregoing warranty is in lieu of any and all other warranties expressed or implied and constitutes the entire warranty.

INSTRUCTIONS POUR L'ALLUMAGE

L'appareil est équipé de veilleuses d'allumage qui brûlent en permanence . Ces veilleuses sont situées devant chaque brûleur sur les Modèles GHP-2S, GHP-4S, GHP-6S. Les veilleuses devraient être allumées dès que le gaz est ouvert au moyen du robinet d'arrêt manuel.

1. Placez les boutons en position "OFF".
2. Allumez les veilleuses à l'aide d'un briquet.
3. Les robinets des veilleuses sont situés sur le conduit installé à l'avant de l'unité, derrière le panneau frontal. Pour accéder aux robinets, retirez le panneau frontal en dévissant les quatre (4) vis le retenant au cadre. Tournez les vis de réglage situées à l'avant des robinets des veilleuses. Les veilleuses devront être réglées de façon à ce que la flamme soit bleue et courte (un quart de pouce de haut) pour obtenir un bon allumage les brûleurs.
4. Si une ou des veilleuses sont éteintes, fermez le gaz, attendez 5 minutes et reprenez les étapes (1) à (3).
5. Installez le panneau frontal sur l'avant du cadre.

RÉGLAGE DES BRÛLEURS

Retirez le panneau frontal afin de pouvoir accéder aux obturateurs d'air principaux. Lorsque le robinet de contrôle du brûleur frontal est en position "ON", fermez les obturateurs d'air afin d'obtenir une flamme bleue dont les extrémités sont lumineuses et de façon à ce que la flamme ne soit pas jaune. Serrez ensuite les vis de serrage. Reprenez cette procédure pour le brûleur arrière.

RÉGLAGE DE L'UNITÉ POUR L'UTILISATION AU PROPANE

Les unités sont envoyées avec les couvercles d'orifices et le régulateur pour une utilisation au gaz naturel (à 152 mm de colonne d'eau - 6 pouces). Pour convertir l'unité au propane, suivez les instructions ci-dessous:

1. Réglez la pression de sortie du régulateur à 254 mm de colonne d'eau (10 pouces). Un tuyau de 1/8 de pouce sur le conduit peut être retiré pour y connecter une jauge de pression. Retirez le couvercle rainuré du régulateur de pression et insérez-y la prise. Remplacez le couvercle sur le régulateur et branchez sur le conduit. Le régulateur est maintenant réglé à .254 mm de colonne d'eau (10 pouces).
2. Retirer orifices de gaz naturel, # 46 pour tous les modèles, et d'installer orifices propane, peinte en noir, (# 54 pour tous les modèles excepté), situé dans un sac à l'extérieur de la face avant. Afin de supprimer les orifices de gaz naturel:
 - a. Retirez les grilles et les brûleurs.
 - b. Retirez les orifices des robinets manuels et des raccords sur les tuyaux à gaz et remplacez-les avec les orifices à propane.
 - c. Réinstallez les brûleurs et les grilles.

PROCÉDURE DE FONCTIONNEMENT

Chaque brûleur se livrer à 22,000 BTU / HR de la chaleur sur tous les modèles et est contrôlé par un manuel On / Off valve. Le bouton de commande de droite commande le brûleur avant et le bouton de contrôle de gauche contrôle le brûleur arrière sur tous les modèles. Après que le pilote est une fois allumé et réglé, les brûleurs seront automatiquement s'enflammer en tournant la molette de commande vers n'importe quelle position entre On et Off.

NETTOYAGE DE L'EXTÉRIEUR (Acier inoxydable seulement)

La surface externe peut être nettoyée en utilisant un linge propre et doux. Les décolorations peuvent être nettoyées à l'aide d'un agent nettoyant non abrasif. Les grilles des brûleurs et l'égouttoir peuvent être retirés pour être nettoyés.

MAINTENANCE ET RÉPARATIONS

Contactez l'usine ou l'un de ses représentants, ou bien encore une société de services locale pour la maintenance et les réparations nécessaires.

CANALISATIONS DE GAZ

Les canalisations de gaz devraient être neuves, propres, de taille adéquate et être installées de façon à fournir une alimentation en gaz suffisante pour l'appareil. Si l'appareil doit être connecté à des canalisations déjà existantes, elles devraient être vérifiées pour déterminer si leur capacité est adéquate. La pâte lubrifiante ne devrait être utilisée qu'avec parcimonie et seulement sur le filetage extérieur des tuyaux. Les pâtes utilisées devraient être résistantes à l'action des gaz basse pression. **AVERTISSEMENT :** Toutes les saletés ou particules de métal dans les canalisations de gaz de l'appareil endommageront le robinet automatique et affecteront son fonctionnement. Lorsque vous installez cet appareil, ainsi que les tuyaux et raccords, assurez-vous qu'ils sont exempts de toute saleté à l'intérieur.

DÉGAGEMENT

Minimum distances aux mur pour les côtés et le dos des modèles contenus en ce manuel seront comme suit:

	Mur Combustible	Mur Non-Combustible
Plaques Chauffantes	9"	0"

RÉGULATEUR DE PRESSION

Un régulateur de pression convertible réglé à 152 mm de colonne d'eau (6 pouces) pour être utilisé avec du gaz naturel est fourni avec l'appareil. (Pour le LP modèle le régulateur est placé pour 10" pression de eau colonne.) Reliez le régulateur au tuyau d'alimentation situé à l'arrière de l'unité et assurez-vous que la flèche du flux de gaz sur le régulateur pointe vers le conduit de distribution. L'alimentation de gaz doit ensuite être connectée au régulateur. Un robinet de 1/8 de pouce est installé sur le conduit de distribution pour vérifier la pression. Il est possible d'accéder au conduit de distribution en retirant le panneau frontal.

ROBINET D'ARRÊT MANUEL

Un robinet d'arrêt manuel devrait être installé en amont de l'unité, à environ 183 cm (6 pieds) de l'appareil. Ce robinet n'est pas fourni.

CONNEXION DE LA CANALISATION D'ALIMENTATION DE GAZ

L'entrée de gaz pour cet appareil est scellée à l'usine pour éviter que des saletés ne pénètrent dans l'unité. Gardez la protection en place jusqu'à ce que vous soyez prêt à effectuer la connexion à la canalisation d'alimentation de gaz.

RECHERCHE DE FUITES DE GAZ

Il est possible d'utiliser une solution à base d'eau et de savon ou tout autre matériau acceptable pour localiser les fuites de gaz. Des allumettes, des bougies ou autres sources d'ignition ne devraient en aucun cas être utilisées dans ce but.

ALIMENTATION D'AIR

Vous devrez prévoir une alimentation en air adéquate.

OUVERTURES EN DESSOUS DE L'UNITÉ

Assurez-vous que les ouvertures situées en dessous de l'unité ne sont pas obstruées. Elles sont primordiales pour une combustion adéquate et un bon fonctionnement de l'appareil.

HOTTE ASPIRANTE

Il est primordial que des installations soient prévues pour l'évacuation des gaz et fumées.

ENTRÉE DE GAZ DES CUISINIÈRES À GAZ À PLAQUE OUVERTE

Pour le gaz naturel: La pression de sortie du régulateur est à 152 mm de colonne d'eau (6 pouces).

Pour le propane: La pression de sortie du régulateur est à 254 mm de colonne d'eau (10 pouces).

Remarque : L'appareil est équipé de couvercles d'orifices pour le gaz naturel. Un autre ensemble de couvercles est fourni pour utiliser l'appareil avec du propane. Les couvercles pour le propane sont situés sur le panneau frontal. Les usine réglés modèles de LP n'incluent pas les capots de gaz naturel.

DONNÉES GÉNÉRALES D'INSTALLATION



MISE EN GARDE

Cet équipement est conçu et vendu pour une utilisation commerciale seulement, et pour être utilisé par un personnel formé et expérimenté à son fonctionnement. Cet équipement n'est pas vendu pour être utilisé à la maison ou par le public général dans les lieux de restauration. Pour tout équipement pouvant être utilisé par le public général, prière de contacter l'usine.

Cet appareil à gaz est équipé pour les types de gaz indiqués sur la plaque signalétique à l'avant de l'appareil. Il est envoyé réglé pour une utilisation au gaz naturel.

L'installation de l'appareil devrait être conforme au CODE NATIONAL DU GAZ COMBUSTIBLE "ANSI Z223.1 - DERNIÈRE ÉDITION", AINSI QU'À TOUTES LES RÈGLES ET RÉGLEMENTATIONS DE LA COMPAGNIE DE GAZ LOCALE.

L'INSTALLATION AU CANADA DEVRAIT ÊTRE CONFORME AU CODE D'INSTALLATION AU GAZ NATUREL ACTUEL CAN/CGA-B149.1 OU AU CODE D'INSTALLATION AU PROPANE CAN/CGA-B149.2, AINSI QU'AUX CODES LOCAUX, LE CAS ÉCHÉANT.

AVERTISSEMENT: L'installation, le réglage, la modification, la réparation ou l'entretien incorrect de cet appareil peut causer des dommages matériels, des blessures ou la mort. Lire attentivement les instructions d'installation, de fonctionnement et d'entretien avant de procéder à son installation ou entretien.

ESURE DE SÉCURITÉ

NE PAS ENTREPOSER NI UTILISER DE ESSENCE NI AUTRES VAPEURS OU LIQUIDES INFLAMMABLES À PROXIMITÉ DE CET APPAREIL OU DE TOUT AUTRE APPAREIL. TENIR TOUT COMBUSTIBLE HORS DU VOISINAGE DE L'APPAREIL.

Cet appareil, le régulateur de pression et le robinet d'arrêt individuel doivent être déconnectés du système d'alimentation de gaz pendant les essais de pression du système lorsque les pressions d'essai sont supérieures à 0.5 PSIG. Cet appareil et le régulateur de pression doivent être coupés de l'alimentation de gaz en fermant le robinet d'arrêt manuel pendant les essais de pression du système d'alimentation de gaz lorsque les pressions d'essai sont égales ou inférieures à 0.5 PSIG. Pour votre protection, nous recommandons qu'une agence spécialisée installe votre appareil. Le personnel de cette agence devrait connaître les installations à gaz ainsi que les exigences locales concernant le gaz. Dans tous les cas de figure, la compagnie locale de gaz devrait venir approuver l'installation finale. De plus, des instructions détaillées indiquant la marche à suivre dans le cas où l'opérateur détecterait une odeur de gaz devraient être affichées bien en vue à proximité de l'unité. Vous pouvez obtenir ces ins-tructions auprès de votre fournisseur local de gaz.

MISE À NIVEAU DE L'APPAREIL

Les unités sont envoyées avec les pieds détachés. Pour installer les pieds, retirez les grilles, couchez l'appareil sur le côté et vissez les pieds dans les logements situés sous l'appareil. Mettez l'unité à niveau en réglant les quatre (4) pieds qui doivent être réglés à 4.45 cm (1.75 pouce) pour que l'unité soit parfaitement alignée et de niveau avec les autres unités séries Star-Max. W



MISE EN GARDE

NE PAS RETIRER LES PIEDS.

SYMBOLE DE SÉCURITÉ



Ces symboles sont utilisés pour souligner à l'utilisateur les instructions d'utilisation ou d'entretien importantes contenues dans le manuel qui accompagne l'appareil.

CONSERVEZ CE MANUEL POUR RÉFÉRENCE FUTURE AVIS

L'utilisation de toute pièce autre que les pièces d'origine STAR dégage le fabricant de toute responsabilité.

APW Wyott se réserve le droit de changer les spécifications et la conception du produit sans préavis. Ces changements ne donnent pas le droit à l'acheteur d'obtenir les changements, améliorations, ajouts ou remplacements correspondants pour l'équipement acheté préalablement.

Dû aux modifications périodiques de dessins, méthodes, procédures, règles et régulations, les spécifications contenues dans ce manuel sont susceptibles de changer sans préavis. Quoique APW Wyott exerce la bonne foi de fournir le renseignement correct, APW Wyott n'est pas responsable pour les erreurs ou les omissions dans le renseignement pourvu ou les conclusions tirées à la suite de l'utilisation des spécifications. En utilisant le renseignement pourvu, l'utilisateur assume tous les risques en relation avec telle utilisation.

ENTRETIEN ET RÉPARATIONS

Contactez votre détaillant local pour les réparations ou l'entretien requis. Assurez-vous d'avoir le numéro de modèle, le numéro de série, le voltage et la date d'achat pour un service plus rapide. Entrez l'information requise ci-dessous pour référence rapide.

N° de modèle _____

N° de série _____

Voltage _____

Date d'achat _____

Agent de service autorisé

Voir la liste fournie avec l'appareil

Ou

Pour une liste mise à jour voir :

Site web : www.apwwyott.com

Courriel : TechService@Partstown.com



PLAQUES CHAUFFANTES AU GAZ

Modèles
GHP-2S, GHP-4S, GHP-6S

Instructions d'installation et d'opération

2M-Z23813 Rev. - 12-7-2020

