



Installation, Operation & Maintenance Instructions

CRB SERIES RADIANT BROILERS

For Your Safety

Do NOT store or use gasoline or other flammable vapors and liquids in the vicinity of this, or any other equipment.

⚠ Warning!

Improper installation, adjustment, alteration, service or maintenance can cause property damage, injury or death. Read the installation, operation and maintenance instructions thoroughly before installing or servicing this equipment.



11990 Rivera Rd. Santa Fe Springs, CA 90670
Telephone:(714) 547-9218 (562) 464 - 9901

www.connertoncooking.com

To Purchaser

After installation of your broiler, immediately contact your local gas supplier to obtain information in the event the user of your equipment smells gas. This information must be posted in a prominent location.

To User

RETAIN THIS MANUAL FOR FUTURE USE

Upon receipt of this broiler, inspect it thoroughly for any damage which may have occurred during shipment. If damage is observed, contact the delivery agency immediately.

Preparation For Installation: Safe and satisfactory operation of the broiler depends, to a great extent, upon its proper installation. It should be installed in accordance with the National Fuel Gas Code **Z223.1**, these instructions, and applicable State and Local Codes.

The installation must be done by a licensed plumber.

A gas pressure regulator is supplied with your broiler. The regulator must be installed before connecting the broiler to the gas supply line. Please note air vent can plug with grease, thereby shutting gas supply off. Install regulator in a drip-free area.

The broiler and its individual shutoff valve must be disconnected from the gas supply piping system during any pressure testing of that system at test pressures in excess of 1/2 psig (3.45 kPa).

The broiler must be isolated from the gas supply piping system by closing its individual manual shutoff valve during any pressure testing of the gas supply piping system at test pressures equal to or less than 1/2 psig (3.45 kPa).

Radiant(s) rest on the front and rear tabs over the burners.

Clearances And Ventilation: This broiler is designed for installation in non-combustible locations with 0-inch clearance from sides and back.

Keep equipment area free and clear from combustibles.

The area in front of and above the broiler must be clear to avoid obstruction of flow of combustion and ventilation air. Means must be provided for adequate air supply and adequate clearance for air openings into the combustion chamber.

Adequate clearances must be provided in front and sides of the broiler for servicing and proper operation.

It is important that the broiler be installed under an exhaust hood which is adequate to remove the products of combustion and cooking vapor. Sufficient make-up air must also be provided to the space where the broiler is located to replace that removed through the exhaust hood.

4. Gas Piping: Make sure the gas pressure regulator supplied with the broiler is installed correctly. Connect outlet side of regulator to broiler. The regulator is set at 4 inches w.c. on natural gas and 11 inches w.c. on propane gas. A 1/8" pressure tap is provided on the gas manifold at the front of the broiler for checking the gas pressure. **Please note air vent on regulator can plug with grease, thereby shutting gas supply off. Install regulator in drip-free area.**

Connect the broiler to the gas supply line. Under no circumstances should the gas supply line be smaller than the inlet pipe on the broiler. A gas shutoff valve must be installed in the gas supply line upstream of the broiler for complete shutdown and service. Use pipe sealant on all pipe joints. Sealant must be resistant to the action of L.P. gases.

For proper performance, the broiler must be level. If legs are provided, adjust feet at bottom of legs to level broiler. If legs are not provided, seal the base of the broiler to the countertop with silicone. If the broiler is supplied with casters, the installation must be made with a connector that complies with the Standard for Connectors for Movable Gas Appliances **ANSI Z21.69**, and a quick-disconnect device that complies with the Standard for Quick-Disconnect Devices for Use with Gas Fuel, **ANSI Z21.41**. Adequate means must be provided to limit the movement of the broiler without depending on the connector and the quick-disconnect device or its associated piping to limit the broiler's movement. Restraining devices should be connected to legs or back of body. **IMPORTANT: Check all gas connections for leaks, using a soap and water solution. DO NOT USE AN OPEN FLAME FOR CHECKING PURPOSES**

Lighting And Relighting of Broiler:

Turn all burner valves and pilot valves to "OFF". Wait 5 minutes.

Turn on pilot valves and light pilots. Adjust flame height to approximately 1/2".

Turn on burner valves to operate your broiler.

For complete shutdown, turn off all valves and the gas shutoff valve located upstream of the broiler.

To relight, repeat the above procedures.

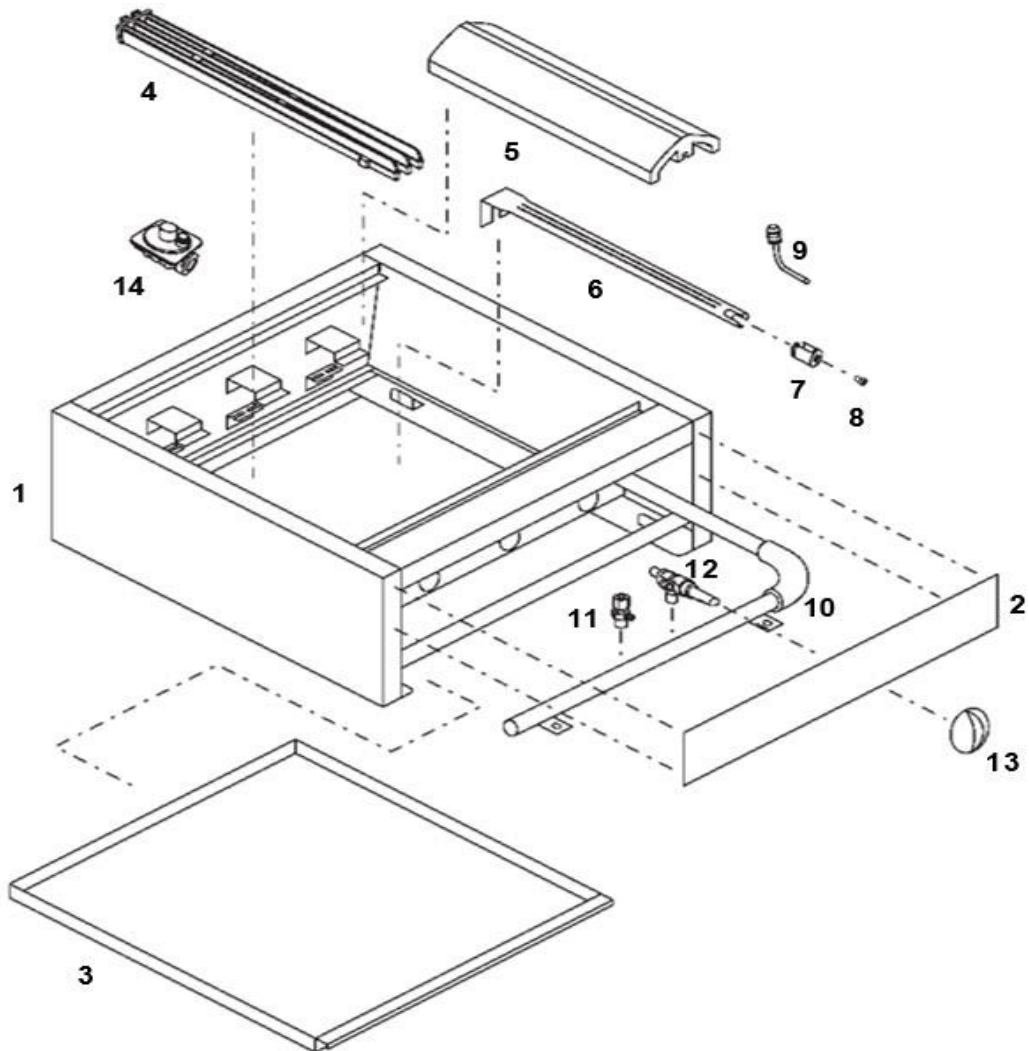
Care And Maintenance:

Contact factory, factory representative, or a local service company to perform maintenance and repairs. **Please Note: Contact factory before any warranty repairs are made.**

To clean top grate, use warm water, a mild cleanser and wire brush.

At least once per day, clean and empty the grease pan.

Periodically, but not less than once every 3 months, clean burner orifices using warm water and wire brush. *Make sure the equipment is cold before removing burners and orifices.*



CRB RADIANT BROILERS

1	30-400-DS	body	9	30-350-00	pilot stem & tip
2	30-425-DS	front panel	10	30-300-DS	gas manifold pipe
3	30-450-DS	grease pan	11	00-225-00	pilot valve
4	30-100-00	4 bar top grate (3x22.5)	12	00-250-00	manual control valve
4a	30-100-01	**modified top grate (6x22.5)	13	00-500-00	chrome knob
5	30-125-00	cast iron radiant	13a	15-251-02	**brushed s/s knob
6	30-150-00	tubular burner	14	00-275-01	pressure regulator (<i>nat gas</i>)
7	30-675-00	air shutter	14a	00-275-02	pressure regulator (<i>LP</i>)
8	30-200-01	orifice hood (<i>nat gas</i>)			
8a	30-200-02	orifice hood (<i>LP</i>)			
for part numbers ending in DS specify model size. For example, 30-425-12 for CRB-12.					
** items not pictured					

TROUBLESHOOTING GUIDE

Condition	Probable Cause	Solution
Small/no burner flame	Regulator failure	Unplug regulator vent hole or replace regulator.
	Plugged orifice hood orifice. Plugged burner port	Unplug hole or replace Unplug burner port(s).
Small/no pilot flame	Pilot valve setting	Adjust flame height.
	Plugged pilot tip	Unplug pilot ports.
Yellow burner flame	Improper air shutter setting	Increase air shutter setting until flame is blue.
	Enlarged orifice hood	Replace w/correct orifice.
Flame lifts off burner	Improper air shutter setting	Decrease air shutter setting until flame sits on burner.
	Plugged orifice hood orifice. Improper level setting	Unplug orifice hole or replace Adjust level w/feet or shims.
Too hot/cold	Improper control setting	Adjust control setting or replace Control.
	Improper level setting	Adjust level w/feet or shims.

LIMITED WARRANTY

Connerton warrants to the original user for a period of one year from date of installation, not to exceed 18 months from date of shipment by Connerton, that the equipment manufactured is free from defects in material or workmanship.

Our obligation under this warranty shall be limited to furnishing without charge any part of said product which, upon examination by The Connerton shall prove to be defective. Parts wear is not considered a defect. The Connerton will not be responsible for labor or transportation charges incidental to the replacement of same.

Connerton assumes no responsibility for failure of the equipment to operate properly due to improper installation or operation. This warranty applies to all equipment that has been unaltered, properly installed and maintained in accordance with national and local codes and in accordance with the installation and operating instructions included with this equipment.

This warranty does not extend to normal maintenance items, including but not limited to, air and gas adjustments and adjustments to pilot flames. Proper installation, adjustments, and initial checkout is the responsibility of the dealer, the owner-user or installer and not that of The Connerton.