



# Installation, Operation & Maintenance Instructions

## CHP SERIES HOT PLATES

### For Your Safety

Do NOT store or use gasoline or other flammable vapors and liquids in the vicinity of this, or any other equipment.

### ⚠ Warning!

Improper installation, adjustment, alteration, service or maintenance can cause property damage, injury or death. Read the installation, operation and maintenance instructions thoroughly before installing or servicing this equipment.



11990 Rivera Rd. Santa Fe Springs, CA 90670  
Telephone:(714) 547-9218 (562) 464 - 9901  
[www.connertoncooking.com](http://www.connertoncooking.com)

## To Purchaser

After installation of your hot plate, immediately contact your local gas supplier to obtain information in the event the user of your equipment smells gas. This information must be posted in a prominent location.

## To User

### RETAIN THIS MANUAL FOR FUTURE USE

Upon receipt of this hot plate, inspect it thoroughly for any damage which may have occurred during shipment. If damage is observed, contact the delivery agency immediately.

- 1. Preparation For Installation:** Safe and satisfactory operation of the hot plate depends, to a great extent, upon its proper installation. It should be installed in accordance with the National Fuel Gas Code **Z223.1**, these instructions, and applicable State and Local Codes.

**The installation must be made by a licensed plumber.**

A gas pressure regulator is supplied with your hot plate. The regulator must be installed before connecting the hot plate to the gas supply line. *Please note that air vent can plug with grease, thereby shutting gas supply off. Install regulator in a drip-free area.*

The hot plate and its individual shutoff valve must be disconnected from the gas supply piping system during any pressure testing of that system at test pressures in excess of 1/2 psig (3.45 kPa).

The hot plate must be isolated from the gas supply piping system by closing it's individual manual shutoff valve during any pressure testing of the gas supply piping system at test pressures equal to or less than 1/2 psig (3.45 kPa).

- 2. Clearances And Ventilation:** This hot plate is designed for installation in non-combustible locations with 0-inch clearance from sides and back; combustible locations with 8" clearance sides and back.

**Keep equipment area free and clear from combustibles.**

The area in front of, and above the hot plate must be clear to avoid obstruction of flow of combustion and ventilation air. Means must be provided for adequate air supply and adequate clearance for air openings into the combustion chamber.

Adequate clearances must be provided in front and sides of the hot plate for servicing and proper operation.

It is important that the hot plate be installed under an exhaust hood which is adequate to remove the products of combustion and cooking vapor. Sufficient make-up air must also be provided to the space where the hot plate is located to replace that removed through the exhaust hood.

**3. Gas Piping:** Make sure the gas pressure regulator supplied with the hot plate is installed correctly. Connect the outlet side of regulator to hot plate. The regulator is set at 4 inches w.c. on natural gas and 11 inches w.c. on propane gas. A 1/8" pressure tap is provided on the gas manifold at the front of the hot plate for checking the gas pressure. **Please note that air vent on regulator can plug with grease, thereby shutting gas supply off. Install regulator in drip-free area.**

Connect the hot plate to the gas supply line. Under no circumstances should the gas supply line be smaller than the inlet pipe on the hot plate. A gas shutoff valve must be installed in the gas supply line upstream of the hot plate for complete shutdown and service. Use pipe sealant on all pipe joints. Sealant must be resistant to the action of L.P. gasses.

For proper performance, the hot plate must be level. If legs are provided, adjust feet at bottom of legs to level hot plate. If legs are not provided, seal the base of the hot plate to the countertop with silicone.

If the hot plate is supplied with casters, the installation must be made with a connector that complies with the Standard for Connectors for Movable Gas Appliances **ANSI Z21.69**, and a quick-disconnect device that complies with the Standard for Quick-Disconnect Devices for Use with Gas Fuel, **ANSI Z21.41**. Adequate means must be provided to limit the movement of the hot plate without depending on the connector and the quick-disconnect device or its associated piping to limit the hot plate movement. Restraining device should be connected to legs or back of body.

**IMPORTANT: Check all gas connections for leaks, using a soap and water solution. DO NOT USE AN OPEN FLAME FOR CHECKING PURPOSES**

#### **4. Lighting And Relighting of Hot Plate:**

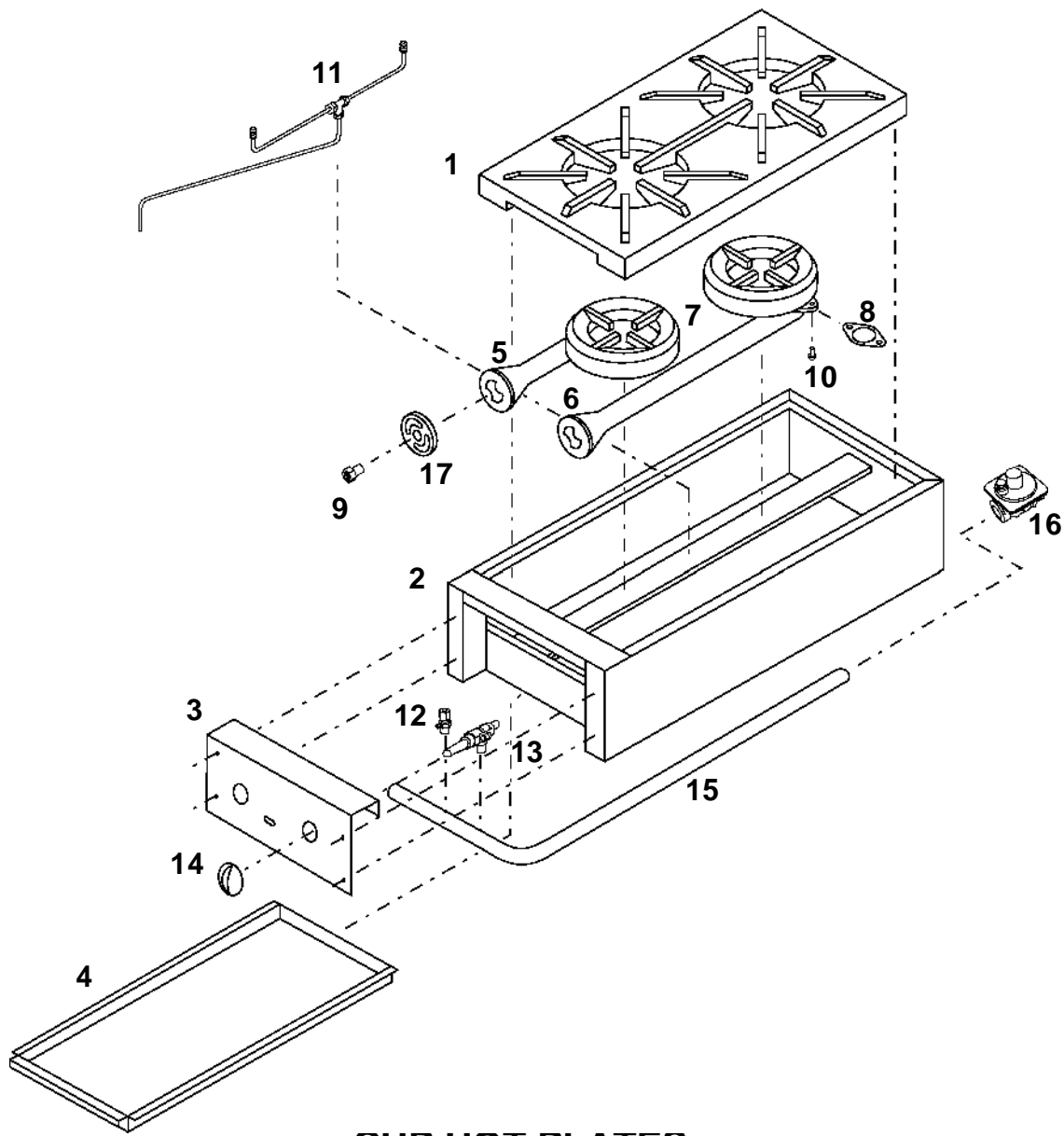
- A. Turn all burner valves and lighter valves to "OFF". Wait 5 minutes.
- B. Turn on lighter valves and light pilots. Adjust flame height to approximately 1/2".
- C. Turn on burner valves to operate your hot plate.
- D. For complete shutdown, turn off all valves and the gas shutoff valve located upstream of the hot plate.
- E. To relight, repeat the above procedures.

#### **5. Care And Maintenance:**

Contact factory, factory representative, or a local service company to perform maintenance and repairs.

**Please Note: Contact factory before any warranty repairs are made.**

- A. To clean top grates, use warm water and a mild cleanser.
- B. At least once per day, clean and empty drip pan.
- C. Periodically, but not less than once every 3 months, clean burner orifices using warm water and wire brush. *Make sure the equipment is cold before removing burners and orifices.*



## CHP HOT PLATES

1	20-100-01	double top grate	9a	20-200-02	orifice hood (LP)
1a	20-100-02	**single top grate (front only)	10	20-625-00	screws burner/venturi
2	20-400-DS	body	11	20-350-01	double pilot assembly
3	20-425-DS	front panel	11a	20-350-02	**pilot stem & tip (front only)
4	20-450-DS	drip pan	12	00-225-00	pilot valve (straight)
5	20-325-01	front (short) venturi	13	00-250-00	manual gas valve
5a	20-150-01	front burner assembly (complete)	14	00-500-00-C	chrome knob
6	20-325-02	rear (long) venturi	14a	15-251-02	**brushed s/s knob
6a	20-150-02	rear burner assembly (complete)	15	20-300-xx	gas manifold pipe
7	20-150-00	burner head only	16	00-275-01	pressure regulator (nat gas)
8	20-600-00	burner head gasket only	16a	00-275-02	pressure regulator (LP)
9	20-200-01	orifice hood (nat gas)	17	00-675-00	air shutter

for part numbers ending in DS specify model size. ( For example; 20-425-212 for a CHP-212).

# TROUBLESHOOTING GUIDE

Condition	Probable Cause	Solution
Small/no burner flame	Regulator failure	Unplug regulator vent hole or replace regulator.
	Plugged orifice hood	Unplug hole or replace orifice.
	Plugged burner port	Unplug burner port(s).
Small/no pilot flame	Pilot valve setting	Adjust flame height.
	Plugged pilot tip	Unplug pilot ports.
Yellow burner flame	Improper air shutter setting	Increase air shutter setting until flame is blue.
	Enlarged orifice hood	Replace w/correct orifice.
Flame lifts off burner	Improper air shutter setting	Decrease air shutter setting until flame sits on burner.
	Plugged orifice hood	Unplug orifice hole or replace orifice.
	Improper level setting	Adjust level w/feet or shims.
Too hot/cold	Improper control setting	Adjust control setting or replace Control.
	Improper level setting	Adjust level w/feet or shims.

## LIMITED WARRANTY

Connerton warrants to the original user for a period of one year from date of installation, not to exceed 18 months from date of shipment by Connerton, that the equipment manufactured is free from defects in material or workmanship.

Our obligation under this warranty shall be limited to furnishing without charge any part of said product which, upon examination by The Connerton shall prove to be defective. Parts wear is not considered a defect. The Connerton will not be responsible for labor or transportation charges incidental to the replacement of same.

Connerton assumes no responsibility for the failure of the equipment to operate properly due to improper installation or operation. This warranty applies to all equipment that has been unaltered, properly installed and maintained in accordance with national and local codes and in accordance with the installation and operating instructions included with this equipment.

This warranty does not extend to normal maintenance items, including but not limited to, air and gas adjustments and adjustments to pilot flames. Proper installation, adjustments and initial checkout is the responsibility of the dealer, the owner-user or installer and not that of The Connerton.