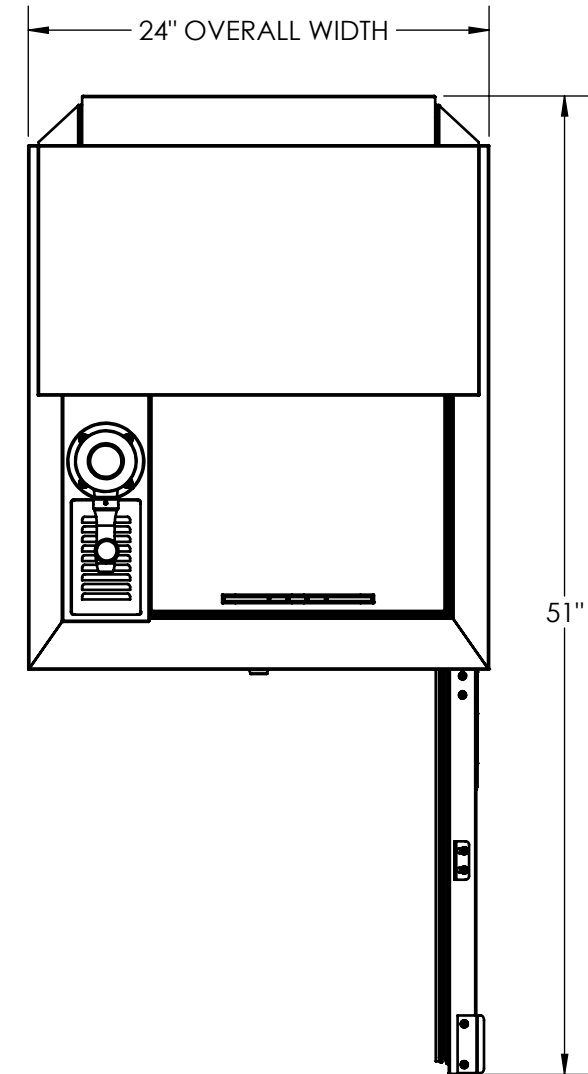
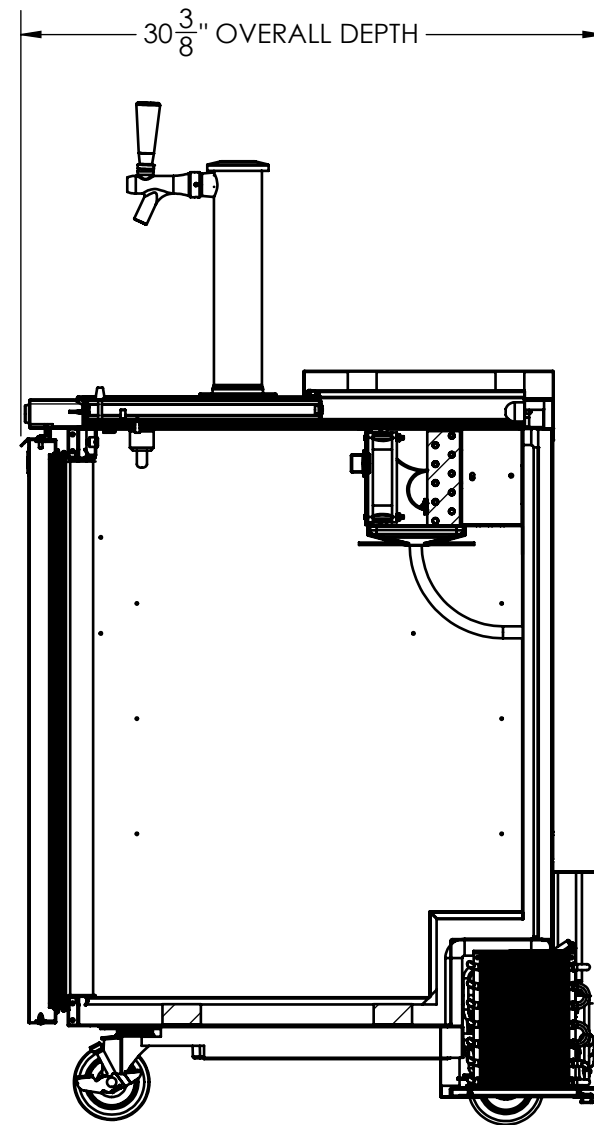
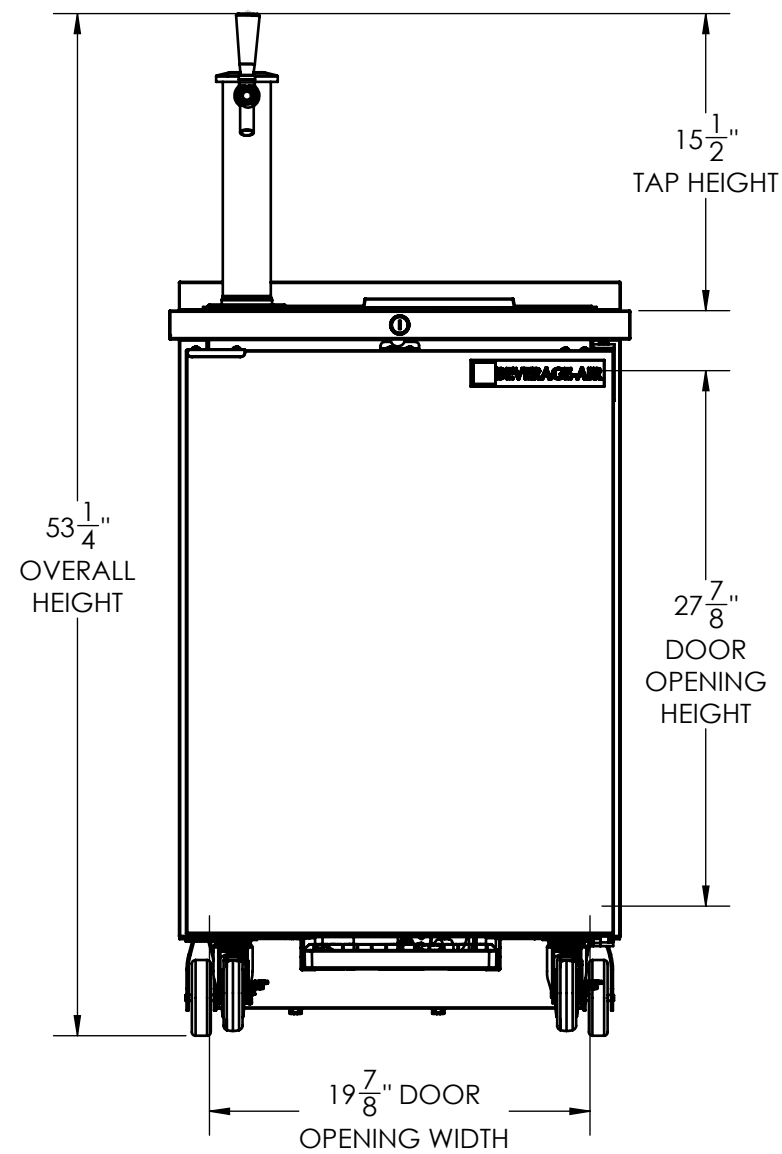


8 7 6 5 4 3 2 1

D
C
B
A

D
C
B
A



THIRD ANGLE PROJECTION	UNLESS OTHERWISE SPECIFIED:		
	DIMENSIONS ARE IN INCHES TOLERANCES: ANGULAR: $\pm 1^\circ$ X/X $\pm 1/16$ ONE PLACE DECIMAL $\pm .05$ TWO PLACE DECIMAL $\pm .005$	BROOKVILLE, PA WINSTON-SALEM, NC beverage-air.com victoryrefrigeration.com	
ENGINEERING REQUIREMENTS:	PROPRIETARY AND CONFIDENTIAL THE INFORMATION CONTAINED IN THIS DRAWING IS THE SOLE PROPERTY OF BEVERAGE-AIR CORPORATION. ANY REPRODUCTION IN PART OR AS A WHOLE WITHOUT THE WRITTEN PERMISSION OF BEVERAGE-AIR CORPORATION IS PROHIBITED.	TITLE: CABINET ASSY BM23HC	
SP100		SIZE: B	DWG. NO.: BM23HC-C-S
		SCALE: 1:10	INITIAL DESIGNER: MBC SHEET 1 OF 2

***** END OF REV *****					
	INITIAL RELEASE FOR PRODUCTION			MBC	
REV	REVISION RECORD		DATE	BY	CHK
					ECN. NO.

8 7 6 5 4 3 2 1