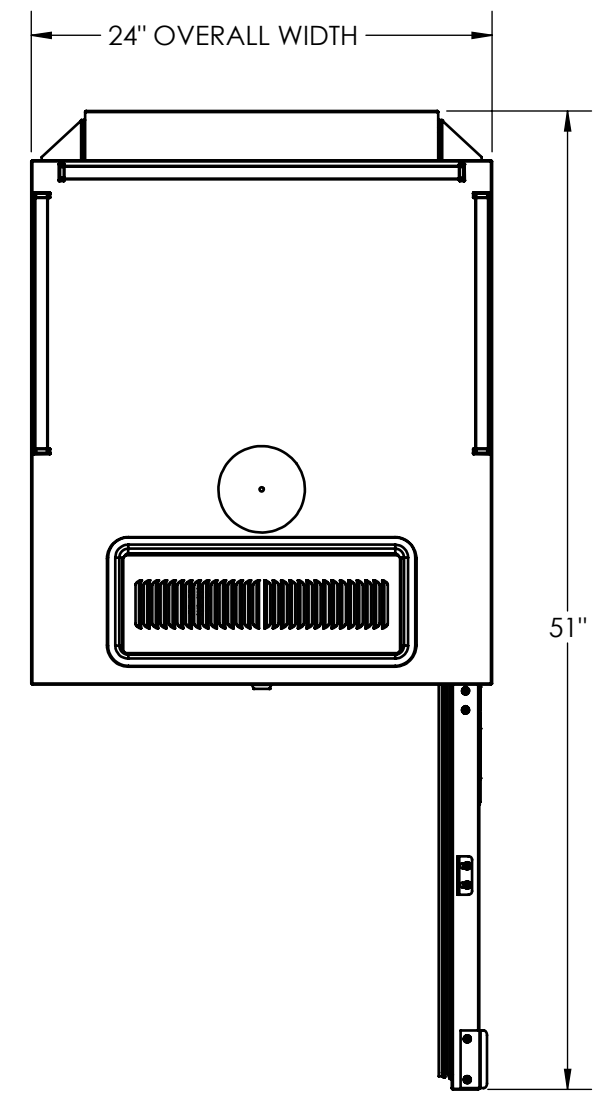
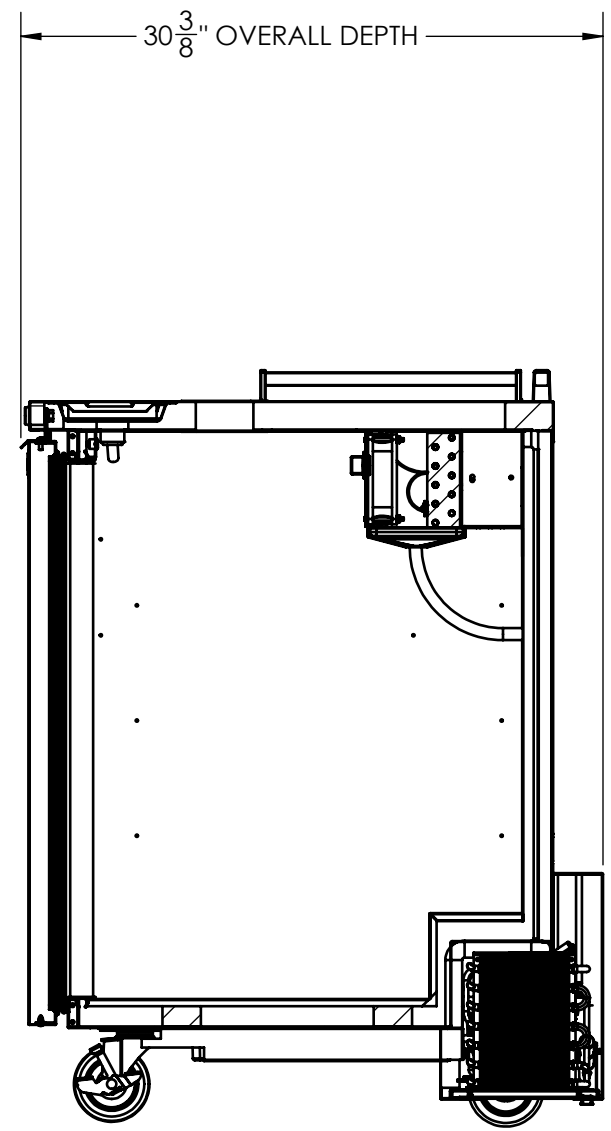
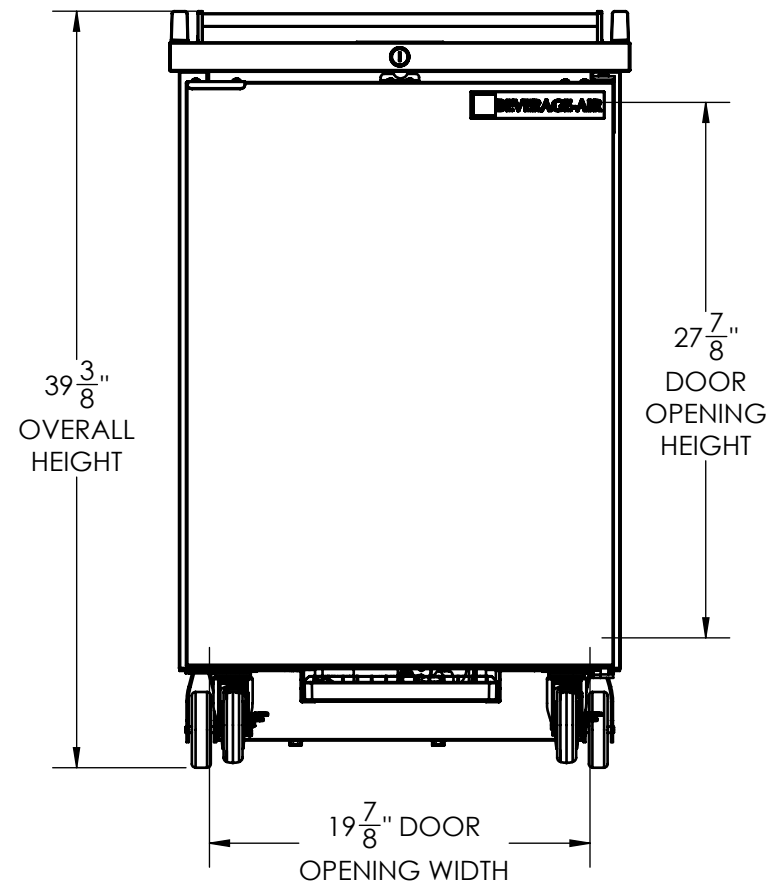


8 7 6 5 4 3 2 1

D  
C  
B  
A

D  
C  
B  
A



THIRD ANGLE PROJECTION	UNLESS OTHERWISE SPECIFIED:		
	DIMENSIONS ARE IN INCHES TOLERANCES: ANGULAR: ± 1° X/X ± 1/16 ONE PLACE DECIMAL ± .05 TWO PLACE DECIMAL ± .005	BROOKVILLE, PA WINSTON-SALEM, NC beverage-air.com victoryrefrigeration.com	
ENGINEERING REQUIREMENTS:	PROPRIETARY AND CONFIDENTIAL THE INFORMATION CONTAINED IN THIS DRAWING IS THE SOLE PROPERTY OF BEVERAGE-AIR CORPORATION. ANY REPRODUCTION IN PART OR AS A WHOLE WITHOUT THE WRITTEN PERMISSION OF BEVERAGE-AIR CORPORATION IS PROHIBITED.	TITLE: CABINET ASSY BM23HC	
SP100		SIZE: <b>B</b>	DWG. NO.: BM23HC-B-28
		SCALE: 1:10	INITIAL DESIGNER: CM
			SHEET 1 OF 2

\*\*\*\*\* END OF REV \*\*\*\*\*

	INITIAL RELEASE FOR PRODUCTION				
REV	REVISION RECORD	DATE	BY	CHK	ECN. NO.

8 7 6 5 4 3 2 1