

**Control de Documento****A. Revisiones y aprobaciones del documento.**

Actividad	Puesto	Nombre	Fecha
<b>Elaboró:</b>	COOKING DESIGNER JR.	JOSÉ GALARZA	22/02/2016
<b>Revisó:</b>	COOKING DESIGNER SENIOR	ANGEL.GLEZ	22/02/2016
<b>Aprobó:</b>			

**B. Descripción de cambios**

Fecha	Rev.	Solicitante	Naturaleza del cambio

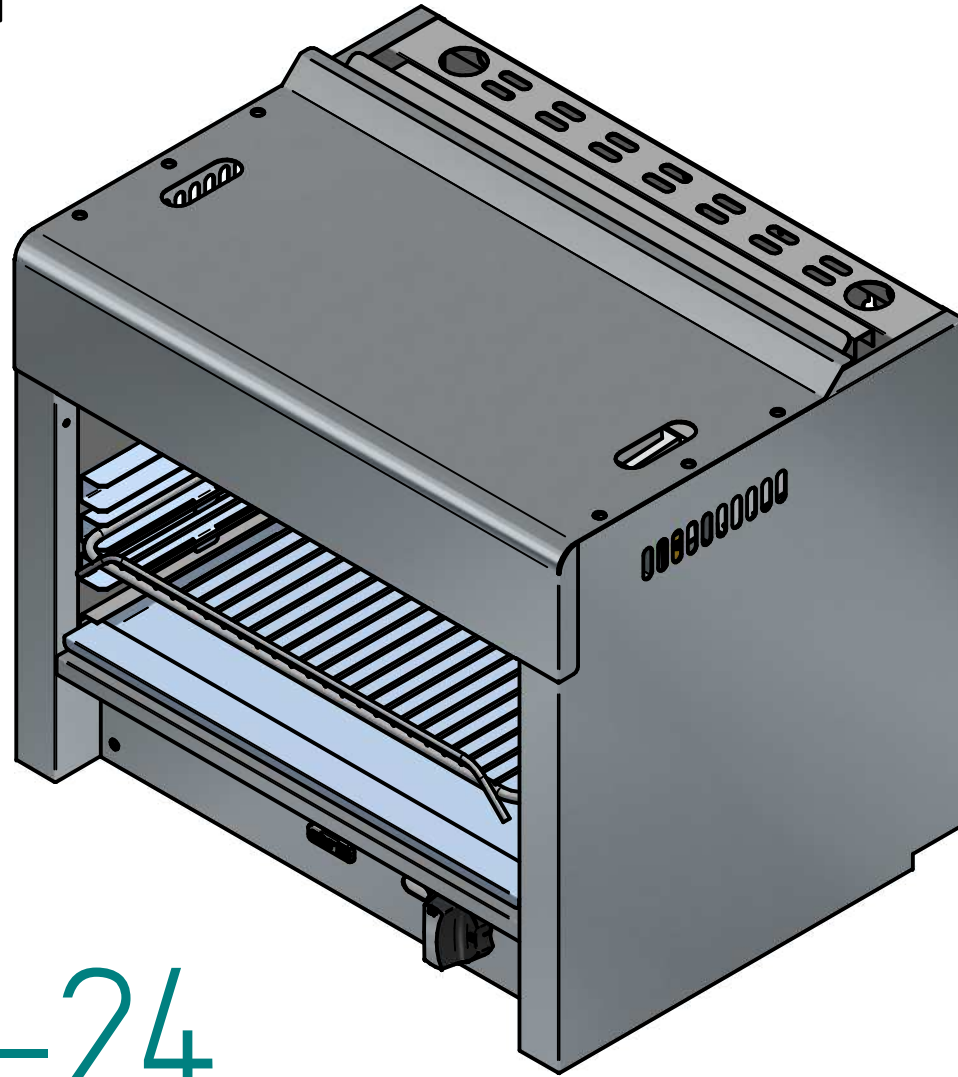
NO IMPRIMIR 1<sup>er</sup> HOJA "CONTROL DOCUMENTAL"

IMPRIMIR APARTIR DE LA 2<sup>DA</sup> HOJA

asber 

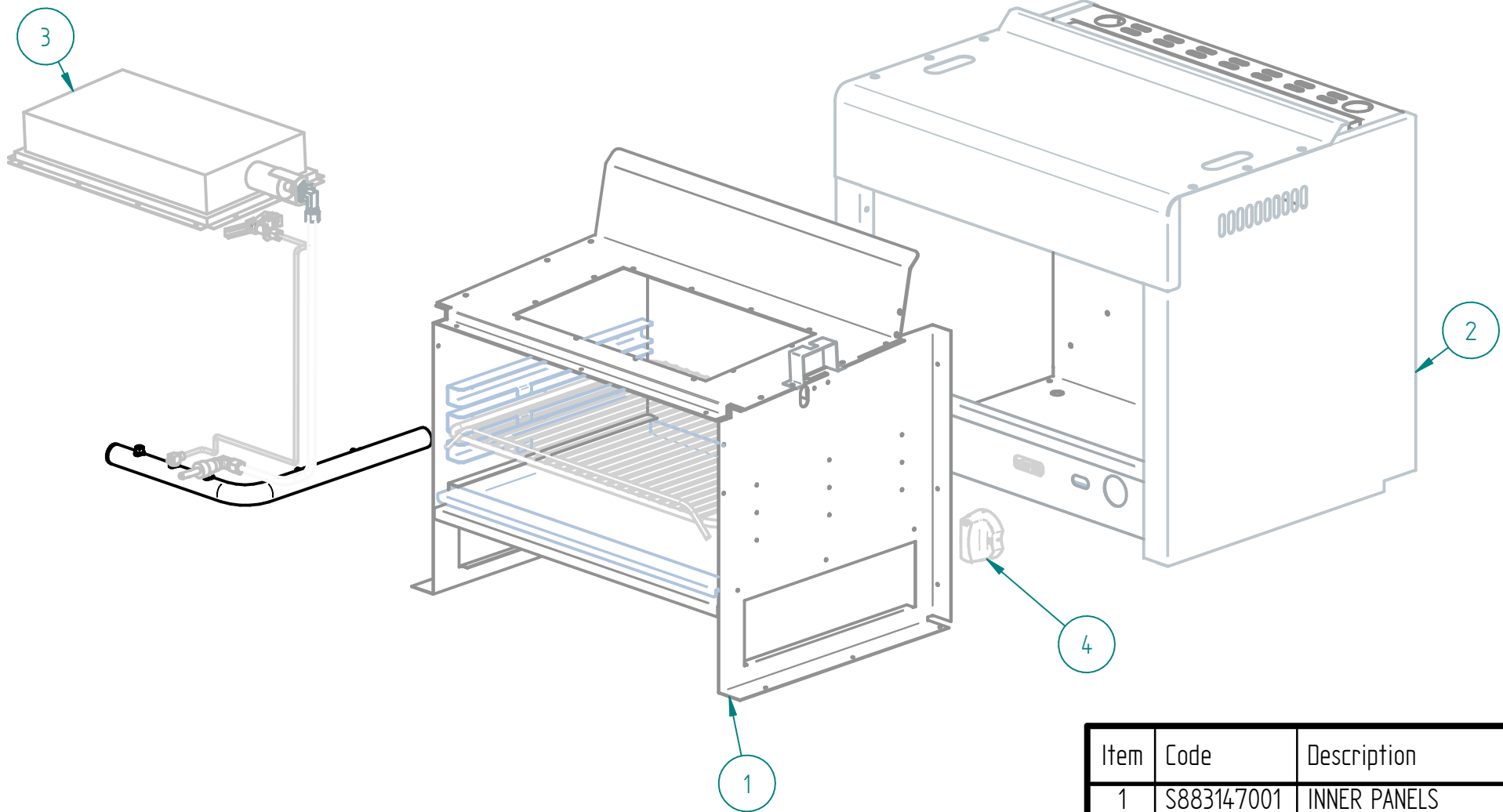
DESPIECE

PARTS BREAKDOWNS



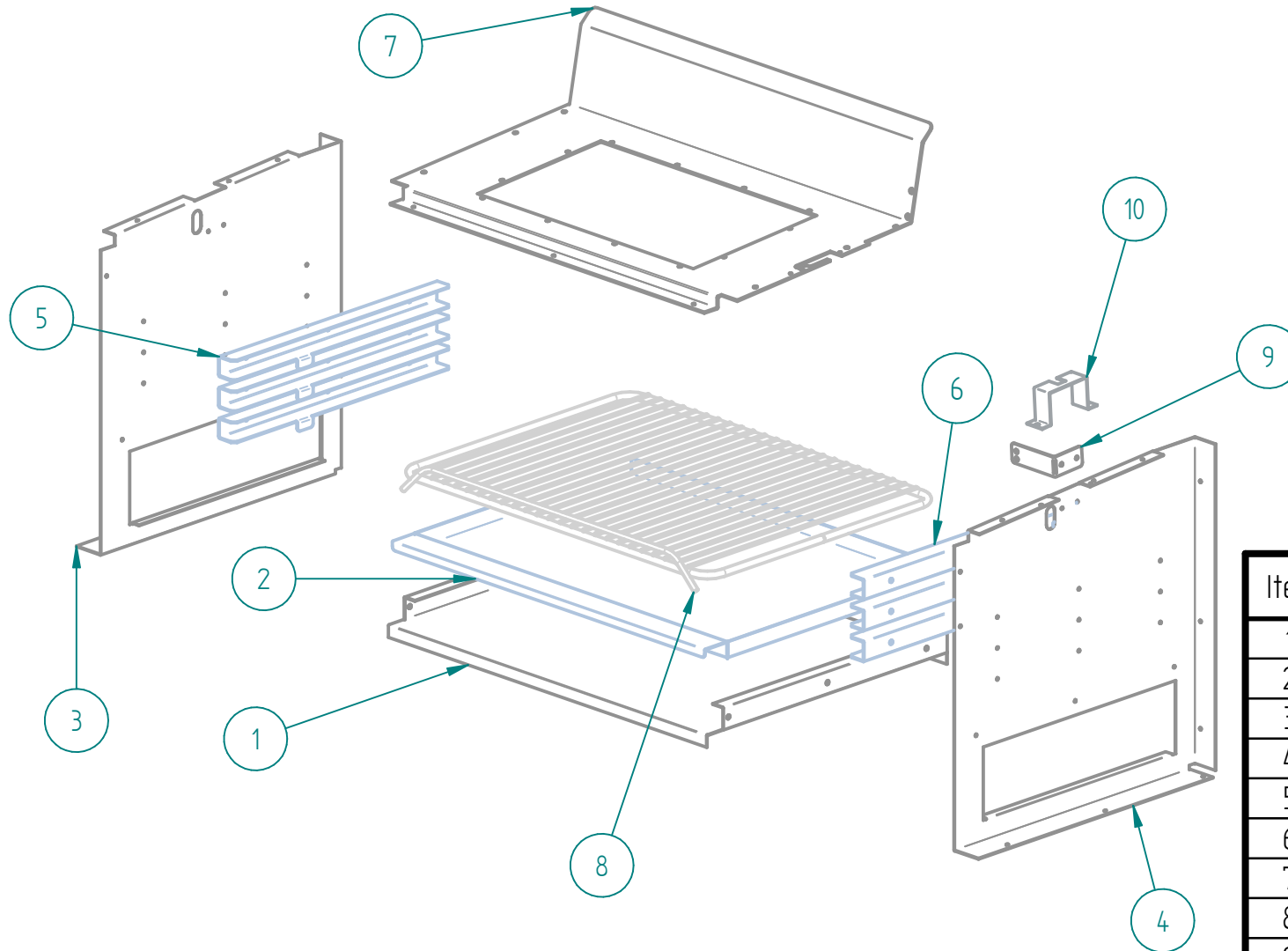
AECM-24

PARTS BREAKDOWNS



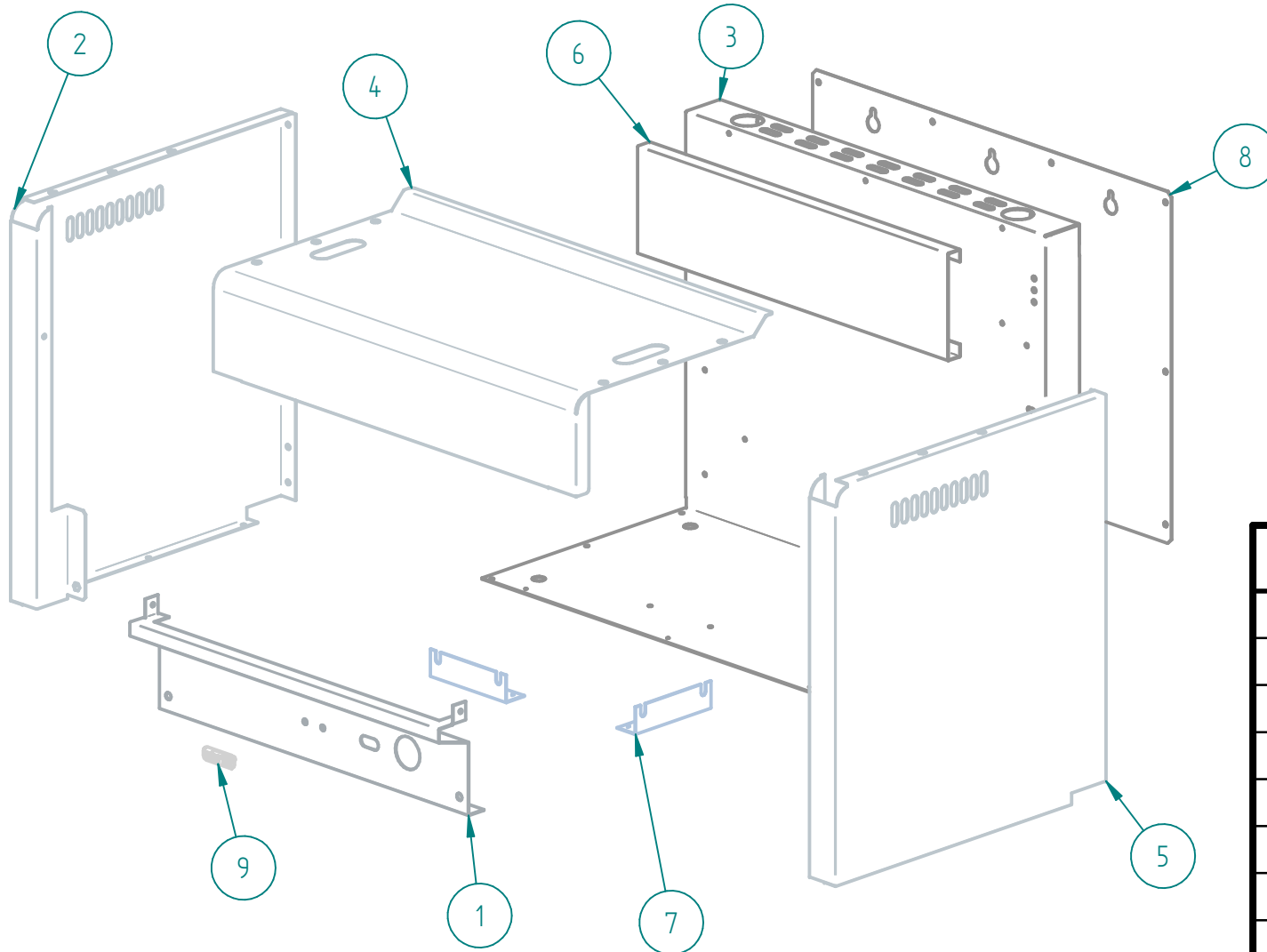
Item	Code	Description	Qty.
1	S883147001	INNER PANELS	1
2	S883169001	OUTER PANELS	1
3	S883173000	GAS SYSTEM	1
4	S855065000	ASBER KNOB	1

PARTS BREAKDOWNS



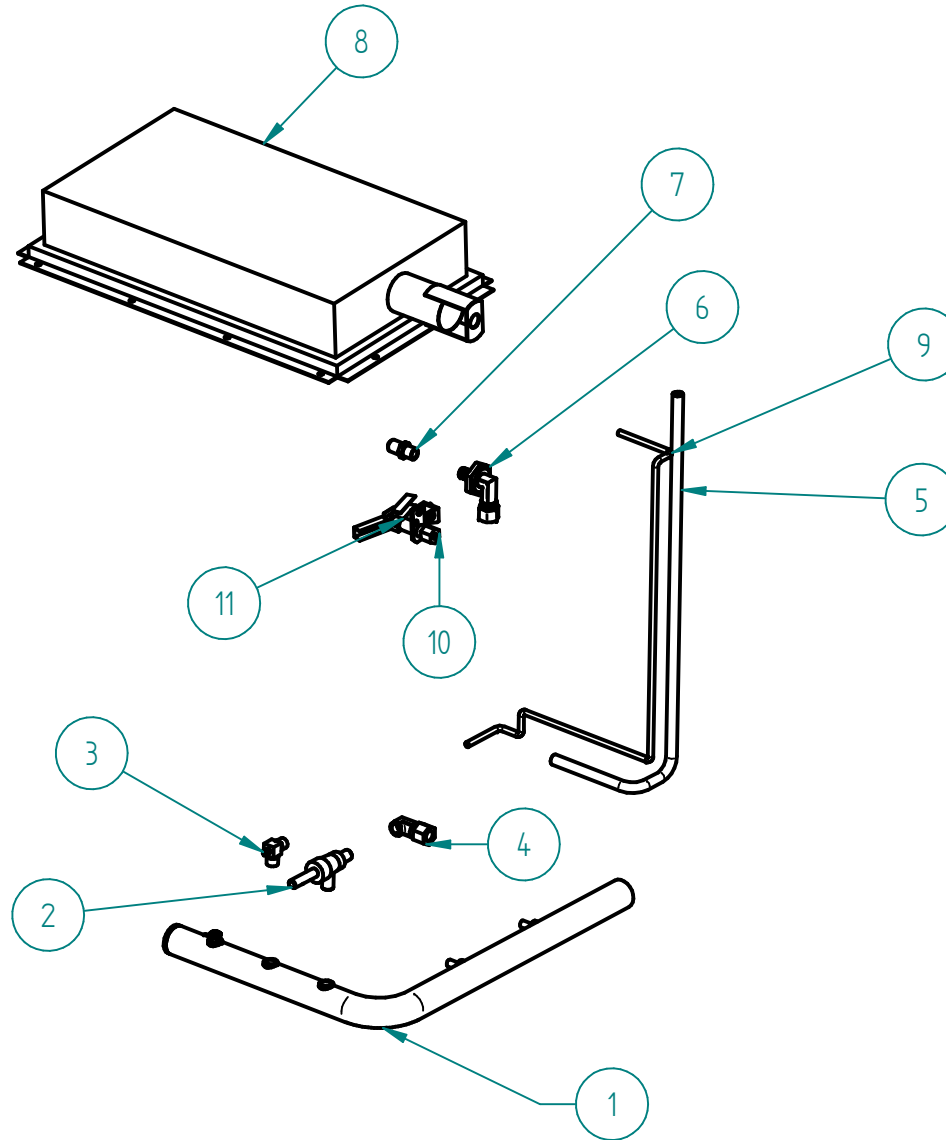
Item	Code	Description	Qty.
1	S882637002	BASE TRAY SALAMANDER 24"	1
2	S882651002	TRAY SALAMANDER 24"	1
3	S882629002	INNER LEFT PANEL CM	1
4	S882630002	INNER RIGHT PANEL CM	1
5	S882632002	GRILL LEFT SLIDER CHEESEME	3
6	S882631002	GRILL RIGHT SLIDER CHEESEMEL	3
7	S882634002	BURNER HOLDER 24"	1
8	S882638000	GRILL CHEESEMELTER 24"	1
9	S882683000	PILOT HOLDER SALAM-24	1
10	S882684000	ELBOW HOLDER SAL / CM	1

PARTS BREAKDOWNS



Item	Code	Description	Qty.
1	S882819005	COMMAND PANEL SB-24 SP	1
2	S882805002	LEFT SIDE PANEL SALAMANDER	1
3	S882811002	REAR PANEL SAL/CHEE 24"	1
4	S882810002	FRONT UPPER PANEL 24"	1
5	S882808002	RIGHT SIDE PANEL CM	1
6	S882639002	REAR REINFORCEMENT 24"	1
7	S882620002	MANIFOLD HOLDER SALAM/CHESE	2
8	S882859000	BACK PANEL SB/CM 24"	1
9	S862827000	PLATE SMALL ASBER	1

PARTS BREAKDOWNS



Item	Code	Description	Qty.
1	S885002000	COMPLETE MANIFOLD SB-24	1
2	S862101000	TOP BURNER VALVE	1
3	S862103000	SINGLE PILOT VALVE	1
4	S855023000	ELBOW 90° 1/8" NPT CC A91021	1
5	S885015000	BURNER PIPE SAL/CHESS	1
6	S855090000	ORIFFICE HOLDER ELBOW	1
7	S862402000	MALE ORIFFICE # 56	1
8	S885704000	INFRARED BURNER ISB-4	1
9	S855016000	PILOT PIPE SAL/CHEES 24"	1
10	S852105000	3 WAY OVEN PILOT	1
11	S862420000	PILOT ORIFFICE 0.016"	1