

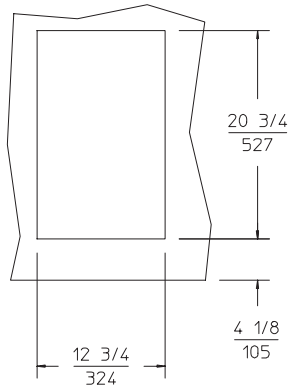
INSTALLATION INSTRUCTIONS
**BUILT-IN (TOP MOUNT) RECTANGULAR
 FOOD AND LIQUID WARMERS**

TM-90DULS

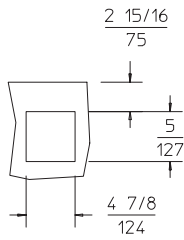
ELECTRICAL

| MODEL | VOLTS | WATTS | AMPS | PHASE | FIELD WIRING GAUGE | TEMP. RATING |
|-----------|-------|-------|-------|--------|--------------------|--------------|
| TM-90DULS | 120 | 1650 | 13.75 | SINGLE | #12 AWG Cu | 90°C MIN. |
| TM-90DULS | 208 | 1240 | 6 | SINGLE | #12 AWG Cu | 90°C MIN. |
| TM-90DULS | 240 | 1650 | 6.9 | SINGLE | #12 AWG Cu | 90°C MIN. |

CUTOUT DETAILS

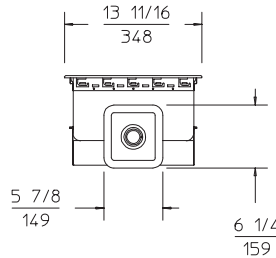
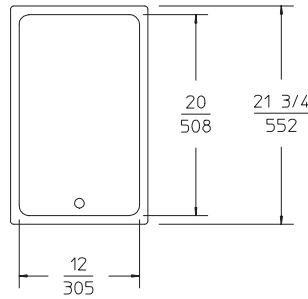


TOP CUTOUT



FRONT PANEL CUTOUT

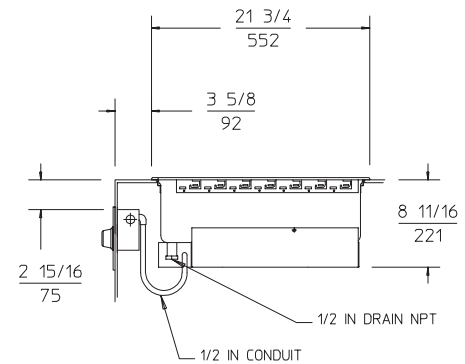
PRODUCT DIMENSIONS



CLEARANCES

| MINIMUM CLEARANCE UNIT TO THE NEAREST SURFACE | | | |
|--|---------|--------------|--------------|
| BACK | SIDE | BOTTOM | FRONT* |
| 2 51 | 2 51 | 6 3/4 171 | 4 1/8 105 |

NOTE: DEPENDING ON THE INSTALLATION, CLEARANCES MAY BE REDUCED UPON FURTHER EVALUATIONS TO UL STANDARDS.



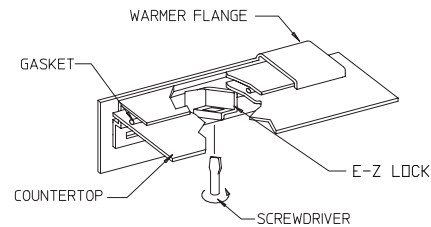
INSTALLATION INSTRUCTIONS

INSTALLER MUST MEET CONDITIONS OF ACCEPTABILITY OUTLINED BELOW UPON INSTALLATION:

1. There must be a minimum 2 inch clearance between the unit and the rear wall of the counter, a minimum 1/4 inch clearance between the unit and adjacent cooking appliances, a minimum 2 inch clearance between the unit and side wall of the counter, and a minimum 6 3/4 inch clearance to a surface below the unit.
2. Unit shall be accessible for servicing from bottom.
3. If storage is to be underneath the unit, it is recommended that a baffle be placed 8 1/2 inches below the unit to avoid contact with elevated temperatures.

TO FABRICATE AND INSTALL:

1. Lay out cutout dimensions on countertop and control panel as shown in cutout details.
2. Cut holes as required in countertop and apron.
3. Do not disconnect control lead wires when installing.
4. Press the self-sticking gray gasket material along the perimeter of the appliance mounting flange, about 1/4 inch from the outside edge. Remove the paper backing as the gasket is applied.



5. Apply a bead of silicone sealant to gasket on underside of warmer flange.
6. Locate warmer and control over countertop cut-out. Pass control box through countertop cutout and front panel cutout.
7. Seat warmer on to countertop and then mount control box into front panel cutout using screws provided.
8. From underneath, insert screwdriver into slots on E-Z Lock frame and twist ears outward (counter-clockwise) to secure flange tightly to countertop (see detail above).
9. Connect service leads (see Wiring Requirements label) through conduit knockout to lead wires in control box. Check wiring diagram and nameplate for correct voltage.
10. Secure control panel to counter apron using the screws provided.

NOTE: INSTALLATION MUST MEET LOCAL AND NATIONAL PLUMBING AND ELECTRICAL CODES.