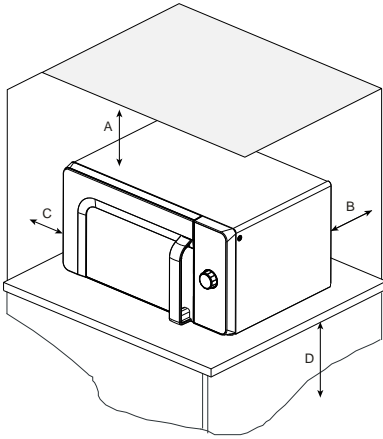


## Quick Start Guide

Refer to Owner's Manual for Safety Statements. Complete Owner's Manual available online.

This document covers RMS\*A and MMS\*A models with dial controls



### OVEN CLEARANCES

- Allow at least 7" (17.78 cm) of clearance around top of oven. Proper air flow around oven cools electrical components. With restricted air flow, oven may not operate properly and life of electrical parts is reduced.
- There is not an installation clearance requirement for the back of the oven.
- Allow at least 1" (2.54 cm) of clearance around sides of oven.
- Install oven so oven bottom is at least 3 feet (91.5 cm) above floor.

## So...how do I use it? (Dial Control)

### Heating

- Open oven door and place food in oven. Close door.
- Turn time entry knob clockwise to desired time.
  - Cooking time can be set up to 6 minutes.
  - Oven begins operation and time counts down.
- When cooking time has elapsed, microwave energy stops and oven signal sounds.

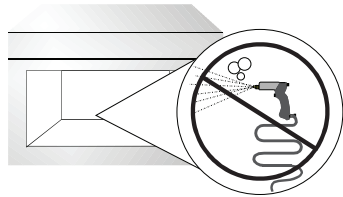
### Interrupting and Stopping Operation

- Open oven door to interrupt and stop operation or turn time entry knob counterclockwise to "0".
- When cooking is interrupted by opening door, oven automatically resets to zero time.
- To resume microwave oven operation, close door and re-enter desired time by turning knob clockwise.

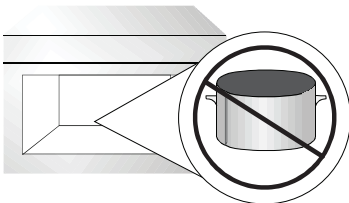
### Changing Time and Canceling Mistakes

Heating time can be changed at any time while the oven is operating. Turn knob to desired new setting.

To set cooking time to zero, turn knob counterclockwise to "0". Setting the time to zero cancels the set cooking time and turns the oven off.



**DO NOT power spray**



**No metal pans**

Refer to Owner's Manual for complete care and cleaning instructions.

**⚠ Do NOT** use abrasive cleaners or cleaners containing ammonia, citrus, phosphates, chlorine, sodium or potassium hydroxide (lye).

Use of unapproved cleaning agents will void the terms of the warranty.

The switching operation of this microwave oven can cause voltage fluctuations on the supply line. The operation of this oven under unfavorable voltage supply conditions can have adverse effects. This device is intended for the connection to a power supply system with a maximum permissible system impedance  $Z_{max}$  of 0.2 Ohms at the interface point of the user's supply. The user has to ensure that this device is connected only to a power supply system which fulfills the requirement above. If necessary, the user can ask the public power supply company for the system impedance at the interface point.