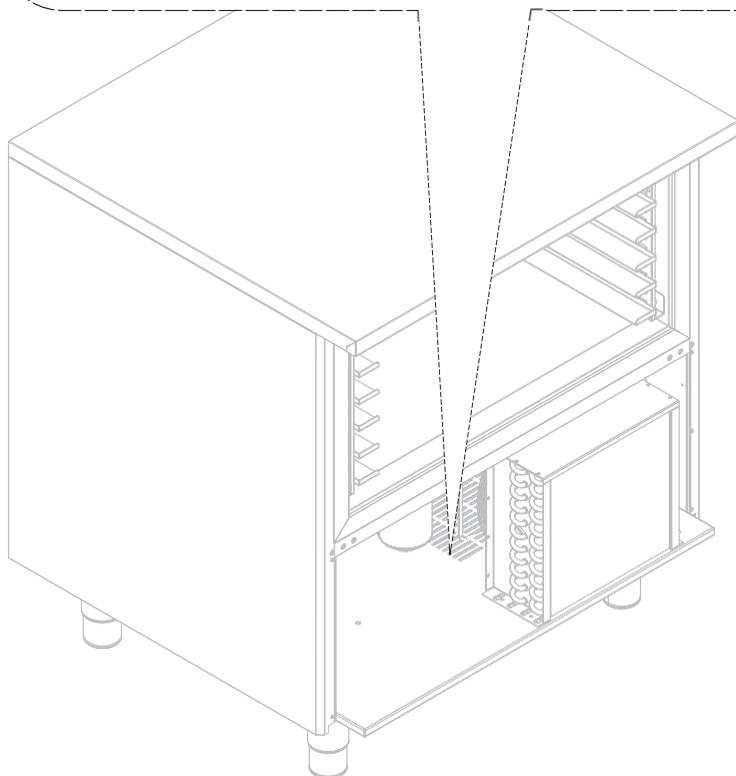


100



POS.	CODE	AMPTO CODE	DESCRIPTION
1	80,001,001	RGMM0001	Hinge pin
2	80,003,047	RGMM0020	Door gasket
3	80,006,127	RGMM0049	Door
4	80,005,011	RGMM0047	"Spring-pivot" hinge
5	80,001,159	RGMM0002	Door hinge
6	80,001,161	RGMM0003	Control panel
7	80,008,565	RGMM0054	2" foot
8	80,004,261	RGMM0037	Frame heating cable
21	80,008,887	RGMM0058	Probe
22	80,002,207	RGMM0019	Eart probe
23	80,002,119	RGMM0014	Evaporator
24	80,008,887	RGMM0058	Evaporator probe
25	80,004,147	RGMM0026	Axial motor fan
26	80,004,111	RGMM0025	Transformer 115V-230V
27	80,008,795	RGMM0056	Door switch
28	80,004,149	RGMM0027	electronic board
29	80,005,045	RGMM0048	Screen-printing
30	80,004,159	RGMM0030	Shaft switch
31	80,004,295	RGMM0045	1C Relay with contactor
32	80,008,873	RGMM0057	2C Relay
33	80,007,333	RGMM0052	1C Relay
100	80,004,263	RGMM0038	Condensing Units (115V-R404)
101	80,004,151	RGMM0028	Fan motor with blade
102	80,002,017	RGMM0008	Condenser
104	80,002,109	RGMM0011	Drier filter
105	80,002,015	RGMM0007	Liquid receiver
106	80,002,111	RGMM0012	280°F Circuit Fuse cup
106	80,008,725	RGMM0055	Compressor
107	80,009,117	RGMM0060	Thermostat valve TES-2
108	80,007,715	RGMM0053	Valve nut
109	80,008,955	RGMM0059	01 Orifice
110	80,004,155	RGMM0029	Safety pressostat