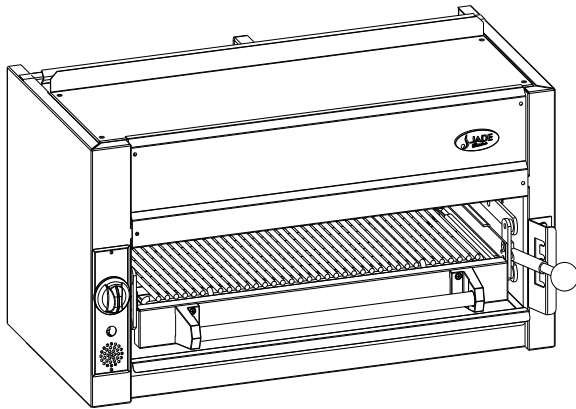




SALAMANDER BROILER

Bistro

BISTRO SALAMANDER BROILER



JBR-JB36-WM

MODEL NO.

DESCRIPTION

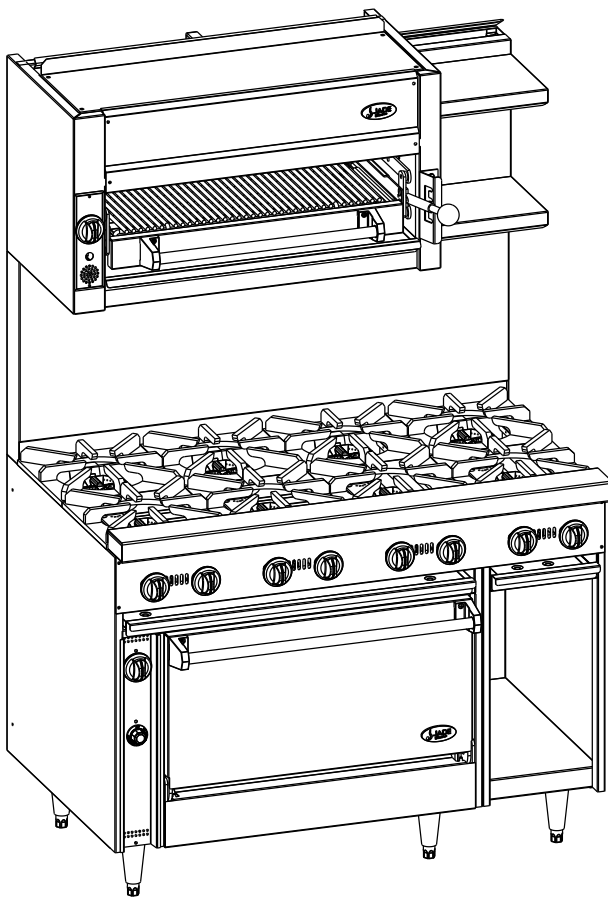
<input type="checkbox"/> JBR-JB36-WM	36" SALAMANDER FOR WALL MOUNT
<input type="checkbox"/> JBR-JB36-RM	36" SALAMANDER FOR RANGE MOUNT

STANDARD FEATURES

- Stainless steel front, sides, bottom and top
- 14 gauge stainless steel construction
- 35,000 BTU/hr. ceramic tile infrared burner
- Counter balance mechanism
- Four locking cook positions
- Large 12" x 26-1/2" lift-out chrome plated broiler grid
- Grid carriage glides on roller bearing
- Grease deflector guides grease into pans at bottom of broiler
- 3/4" gas pressure regulator
- Wall mounting bracket (JBR-JB36-WM only)
- Stainless steel riser (JBR-JB36-RM)
- Stainless steel top
- Stainless steel interior

AVAILABLE OPTIONS

- Stainless steel outer back panel for range mount unit
- Interconnect gas line (for single gas connection when mounting Salamander on range)
- Countertop legs (available upon special request)



JBR-JB36-RM
shown on a JBR-8-36



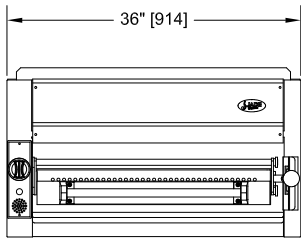
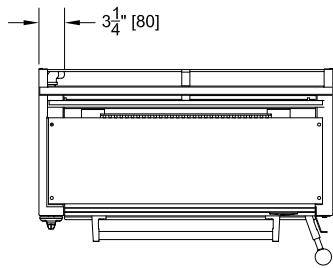
WWW.JADERANGE.COM

JADE RANGE, LLC., A MIDDLEBY COMPANY • 2650 Orbiter Street • Brea, CA 92821 • PHONE: 800-884-5233 FAX: 714-961-2550
Note: In line with their policy to continually improve products, Jade reserves the right to change materials and specifications without notice. PRINTED IN USA

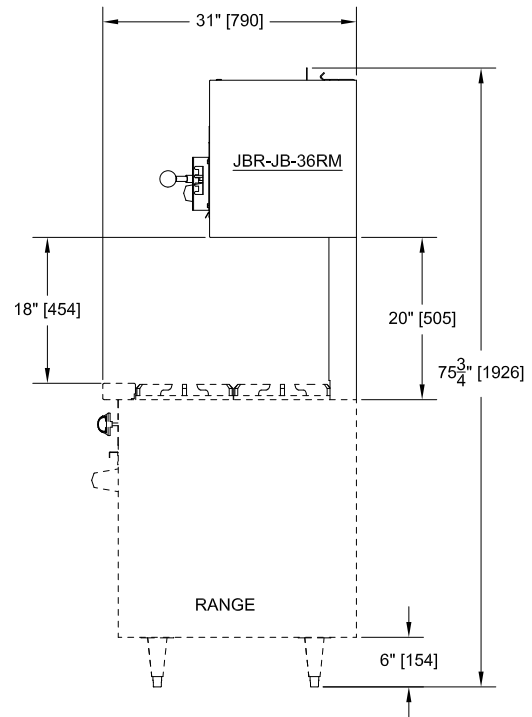
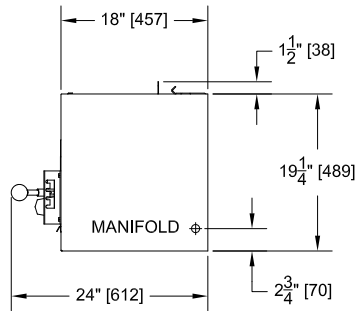




SALAMANDER BROILER



JBR-JB-36WM



MODEL	BTUS	WIDTH	DEPTH	HEIGHT	APPX. SHP. WT.
JBR-JB36-WM	35,000	36"	18"	20-1/2"	240 LBS.
JBR-JB36-RM	35,000	36"	18"	SEE DRAWING	310 LBS.

DESCRIPTION:

Gas infrared broiler. To be model #JBR-JB _____ manufactured by Jade Range. Unit to be the following: freestanding, WM for wall mount and RM for range mount. To have stainless steel top, front, sides and bottom, (and riser on RM). Heavy gauge chrome plated cooking grid to measure 12" x 26-1/2" multi-action positioning handle mounted to carriage. Carriage to have roller bearings and four locking positions. Provide deflector to guide grease into bottom drip pan. To have 35,000 BTU/hr. infrared burner. Provide gas pressure regulator for use with natural or propane.

SPECIFY TYPE OF GAS WHEN ORDERING.
SPECIFY ALTITUDE WHEN ABOVE 2,000 FT.

NOTE: SPECIFY TYPE OF GAS WHEN ORDERING.

UTILITY INFORMATION:

- Ranges are supplied with 1-1/4" front manifold connection and a 1" or 3/4" capped rear manifold connection. For rear manifold connection, remove cap. Ranges are supplied with 3/4" gas pressure regulator. For 1-1/4" or 1" gas pressure regulator, see accessories. (Specify required front manifold cap and cover when ordering.)
- Required operating pressure:
 Natural Gas 5" W.C. minimum
 Propane Gas 10" W.C. minimum
 14" W.C. maximum

Note: This unit must be connected with the gas appliance regulator supplied.