



YOU CAN TRUST

## MEAT GRINDER

### PSE-12



**PSE-12**  
Meat Grinder #12 Hub

### STANDARD FEATURES

This table top Meat Grinder is perfect for medium duty applications. Ideal for butcher shops, restaurants, medium sized markets and meat processing operations.

PSE-12 is powered by an oversized 1 1/2 HP motor engine. Gears and shafts mounted on ball bearings are fully enclosed in the transmission box assuring a smooth and quiet operation.

Stainless steel motor housing and legs resist rusting. Non-slid rubber feet.

Robust # 12 cast iron grinding device.

Large stainless steel pan with guarded feed throat for a safe and fast feeding.

Comes standard with one knife, two plates 1/8" and 3/16", and a feeding stomper.

Safety device disconnects power when pan is removed.

ETL Listed and ETL Sanitation Listed (Conforms to NSF 8, UL 763 and CSA Std. C22.2 No. 195).



ILLUSTRATIVE PHOTO, ACTUAL PRODUCTS AND ACCESSORIES ARE SUBJECT TO CHANGE WITHOUT NOTICE.



**Skyfood Equipment LLC**  
175 SW 7th Street, Ste 2416  
Miami, FL 33130

**Toll Free:**  
1-800-503-7534  
sales@skyfood.us

[www.skyfood.us](http://www.skyfood.us)



Follow us to keep up to date with the latest news and offers

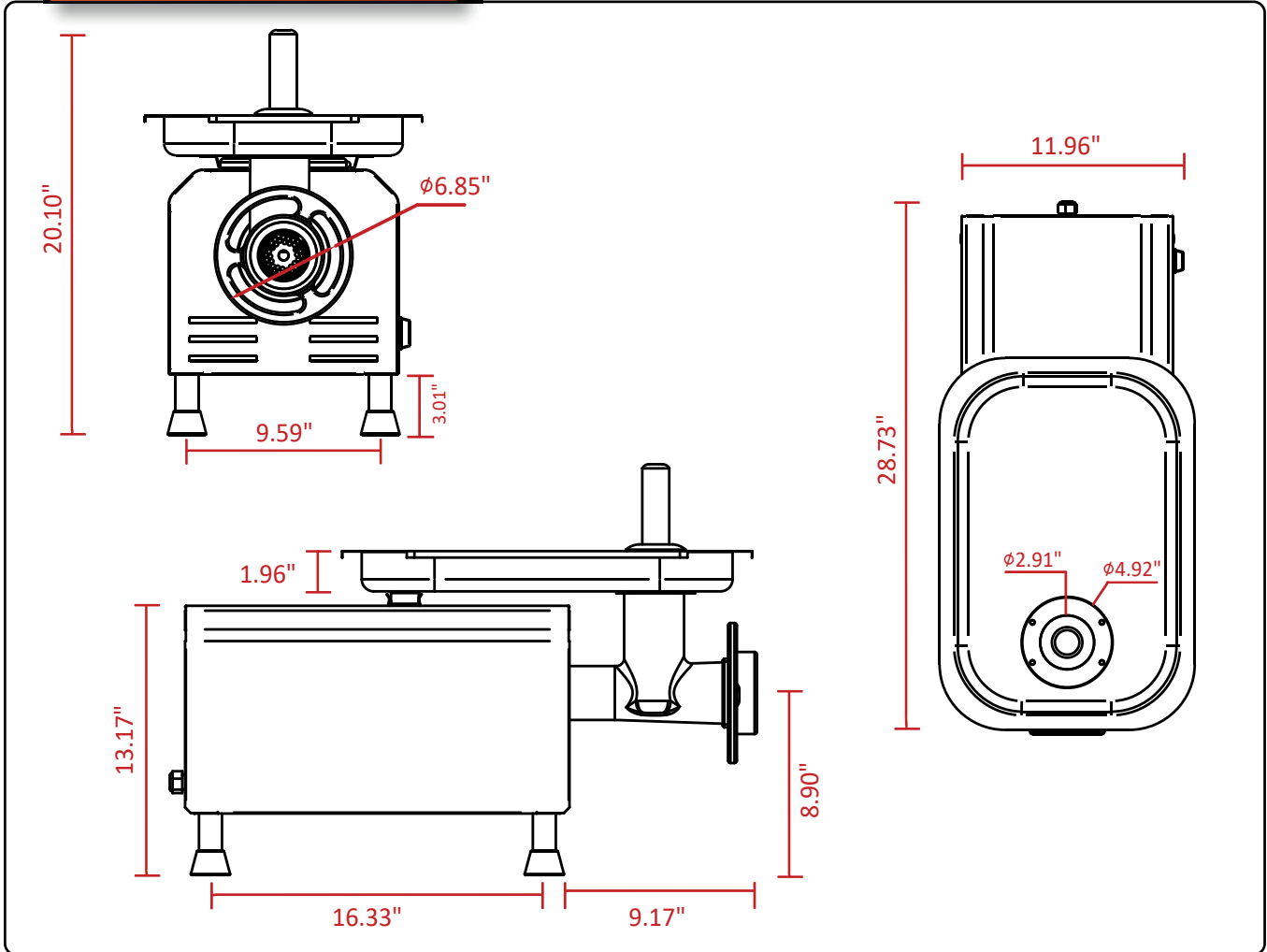
/SkyfoodEquipment

/SkyfoodEquipment

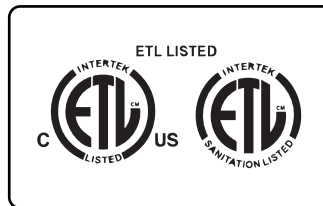
/SkyfoodEquipment



**DIMENSIONS**



**ASSEMBLE ORDER:  
WORM, KNIFE  
AND PLATE**



**WARRANTY 01 YEAR PARTS AND LABOR VALID IN THE CONTINENTAL UNITED STATES.**

Item	Voltage	Power Rating	Amps	Dimensions (W x D x H)	Weight (Net x Ship)	Tray Dimensions (W x D x H)	Production	PLUG
PSE-12	115 V	1 1/2 HP	18	11 5/8" x 26 3/8" x 16 1/2"	77 lb x 93 lb	11 3/4" x 18" x 2"	440 lb/h	NEMA 5-20P



**Skyfood Equipment LLC**  
175 SW 7th Street, Ste 2416  
Miami, FL 33130

**Toll Free:**  
1-800-503-7534  
sales@skyfood.us

[www.skyfood.us](http://www.skyfood.us)

