



**Integrated Syrup Rail Option**

2 room temperature with lids & ladles, 2 heated with syrup pumps



**Simplified Pump**

Item No. \_\_\_\_\_

# C716

## Soft Serve Freezer

Twist, Pump, Heat Treatment

### Features

Offers all the popular soft serve variations from low to non-fat ice creams or yogurt. Serve two separate soft serve flavors, or an equal combination of both in a twist.

### Heat Treatment System

Provides a daily heating and cooling cycle to safely maintain dairy products up to 28 days before a complete disassembly and cleaning is required.

### Freezing Cylinder

Two, 3.4 quart (3.2 liter).

### Mix Hopper

Two, 20 quart (18.9 liter). Refrigerated to maintain mix below 41°F (5°C) in Auto and Standby modes.

### Indicator Lights

Digital readout displays hours since last brush cleaning to ensure product safety. Mix Low light alerts operator to add mix. Audible alarm may be enabled to sound when mix is low. When the Mix Out light flashes, the unit shuts down automatically to prevent damage.

### Touch Screen Controls

Microprocessor touch controls are embedded in a durable tempered glass panel. Multiple languages are selectable. Viscosity is continually measured to dispense consistent quality soft serve desserts. Temperatures in the hoppers or freezing cylinders may be displayed at any point of operation, in either Fahrenheit or Celsius. Draw counter allows operator to view number of servings dispensed.

### Standby

During long no-use periods, the standby feature maintains safe product temperatures in the mix hopper and freezing cylinder.

### Two Locking Casters

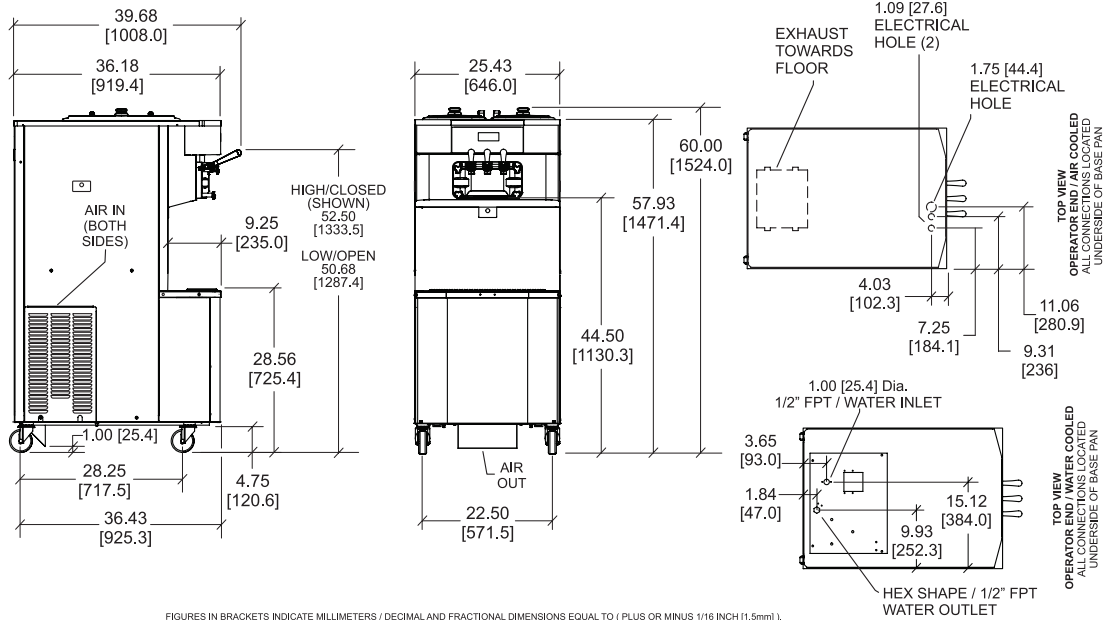
Front casters have a locking feature for operators to keep equipment in place. The lock can be released to move the equipment for cleaning.

### Door Interlock System

Protects the operator from injury as the beater will not operate without the dispensing door in place.

### Freezer Door

A specially designed thermoplastic door allows quick ejection of product with a simple movement of the draw handle. Self-closing draw handles are standard.



FIGURES IN BRACKETS INDICATE MILLIMETERS / DECIMAL AND FRACTIONAL DIMENSIONS EQUAL TO ( PLUS OR MINUS 1/16 INCH [1.5mm] ).

Weights	lbs.	kgs.
Net	827	375.1
Crated	942	427.3
<i>*For reference only</i>		
	cu. ft.	cu. m.
Volume	67.4	1.91
Dimensions	in.	mm.
Width	25-7/16	646
Depth	36-3/16	919
Height	60	1524
Floor Clearance	4-3/4	121

*\*Mounted on standard casters.*

Electrical	Maximum Fuse Size		Minimum Circuit Ampacity		Poles (P) Wires (W)
	Left	Right	Left	Right	
208-230/60/1 Air	30	25	23	20	2P 3W
208-230/60/1 Air, Syrup	30	25	25	20	2P 3W
208-230/60/1 Water	25	25	21	20	2P 3W
208-230/60/3 Air	20	15	16	13	3P 4W
208-230/60/3 Air, Syrup	20	15	18	13	3P 4W
208-230/60/3 Water	15	15	14	13	3P 4W
220-240/50/1 Water	25	25	19	18	2P 3W
380-415/50/3N~ Air	12	9	11	8	4P 5W
380-415/50/3N~ Water	10	9	8	8	4P 5W

This unit may be manufactured with other electrical characteristics and may have additional regulatory agency approvals. Consult the local Taylor distributor for other electrical characteristics and agency approvals based on specific electrical and country requirements.

**(For exact electrical information, approval marks, and refrigerant, always refer to the data label of the unit.)**

**Continuing research results in steady improvements; therefore, these specifications are subject to change without notice.**

**Bidding Specs**

Electrical: Volt \_\_\_\_\_ Hz \_\_\_\_\_ ph \_\_\_\_\_  
 Neutral: Yes No      Cooling: Air Water NA

Options: \_\_\_\_\_

All options may not be available in combination with others or with all electrical or cooling configurations. Please consult your local Taylor distributor.

**Authorized Taylor Distributor**

**Specifications**

**Electrical**

Two dedicated electrical connections are required. See the electrical chart for the proper electrical requirements. Manufactured to be permanently connected. Consult your local Taylor distributor for cord and receptacle specifications as local codes allow.

**Beater Motor**

Two, 1.5 hp.

**Refrigeration System**

Two, 9,500 BTU/hr. R449A.  
 (BTUs may vary depending on compressor used.)

**Air-Cooled**

Minimum 3" (76 mm) around all sides. Install the deflector provided to prevent recirculation of warm air. Minimum air clearances must be met to ensure adequate air flow for optimum performance.

**Water-Cooled**

Water inlet and drain connections under side of base 1/2" FPT.

**Options**

- Cone Dispenser
- Drain Adaptor (for ease of rinsing and cleaning)
- Draw Valve Lock Kit
- Faucet
- Hopper Locks
- Panel Spinner
- Syrup Rail (integrated)
- Syrup Rail Kit (side mount)



750 N. Blackhawk Blvd.  
 Rockton, Illinois 61072  
[www.taylor-company.com](http://www.taylor-company.com)