



Profit from the Eagle Advantage®

Phone: (800) 441-8440 • (302) 653-3000

FAX: (302) 653-2065

Product Announcement

Short Form Specifications

Eagle Spec-Bar® Dump Sink with Glass Rinser, model #_____. Heavy gauge type 300 stainless steel sink, body, legs, leg channels, and crossbracing. T&S splash-mount faucet. 1½" stainless steel IPS threaded drain with nut and washer. Glass rinser features a 4½"-diameter actuation disk and ½" NPT barbed fitting. Inline, preset pressure regulator provided. Removable perforated drainboard. Stainless steel adjustable bullet feet. Model DSGR-12-24 is 12" wide, with 9" x 9" x 4" sink. Model DSGR-18-24 is 18" wide, comes with 10" x 14" x 7" sink, and features dipper well with 1½" IPS drain and deck-mount faucet.

Item #:	_____
Model #:	_____
Project #:	_____
SIS #:	_____

EG8186 Rev. 04/24

New Spec-Bar® Dump Sinks with Glass Rinser

Design and Construction Features:

- Type 300 series stainless steel construction
- T&S splash-mounted faucet
- 1½" stainless steel IPS threaded drain with nut and washer
- Glass rinser spray head features multi-outlet nozzle to ensure complete rinsing.
- 4½" -diameter actuation disk
- Inline preset pressure regulator
- Removable perforated drainboard
- Stainless steel adjustable bullet feet

#DSGR-12-24 Features:

- 9" x 9" x 4" sink bowl
- 12" narrow width

#DSGR-18-24 Features:

- Dipper well, with independent 1½" stainless steel IPS threaded drain and deck-mount faucet
- 10" x 14" x 7" sink bowl
- 18" width

Options available:

- Pedestal base
- Scrap basket for sink



sink with glass rinser



sink with glass rinser and dipper well

Introducing the Dump Sink with Built-In Glass Rinser! Take a glass, turn it upside-down, place it on the glass rinser, and push down to activate it. It's that easy! Powerful water jets rinse in seconds. Applicable to any drinkware—from narrow champagne flutes to wine glasses—it reaches where you can't, and takes far less time than soaking and scrubbing. Also featured are sink bowl with 1½" stainless steel IPS drain, faucet mounted to a 9"-tall backsplash, and stainless steel legs and crossbracing. Drainboard is removable for ease of cleaning.

Choose from two models: 12"-wide unit with glass rinser, and 18"-wide unit with rinser and dipper well! The dipper well features its own deck-mount faucet and 1½" stainless steel IPS drain.

For custom configuration or fabrication needs, contact our **SpecFAB® Division**.

Phone: (302) 653-3000. FAX: (302) 653-2065.

E-mail: quotes@eaglegrp.com

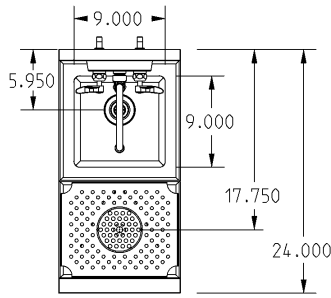




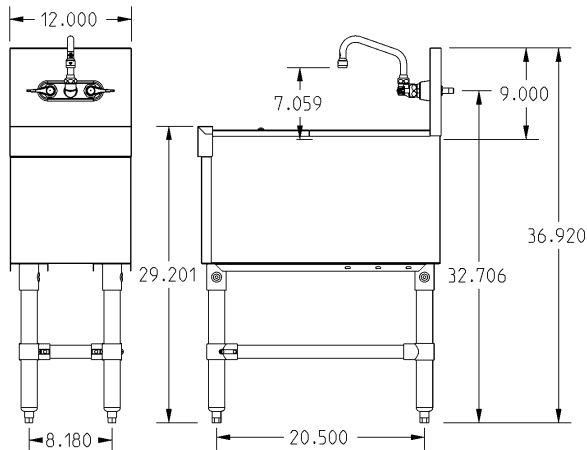
Profit from the Eagle Advantage®

Eagle Spec-Bar® Dump Sinks with Glass Rinser

#DSGR-12-24



TOP VIEW

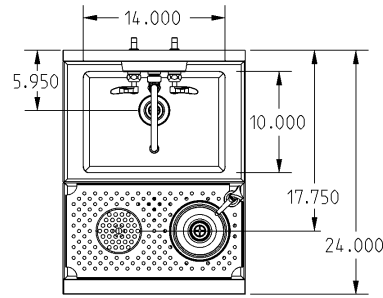


FRONT VIEW

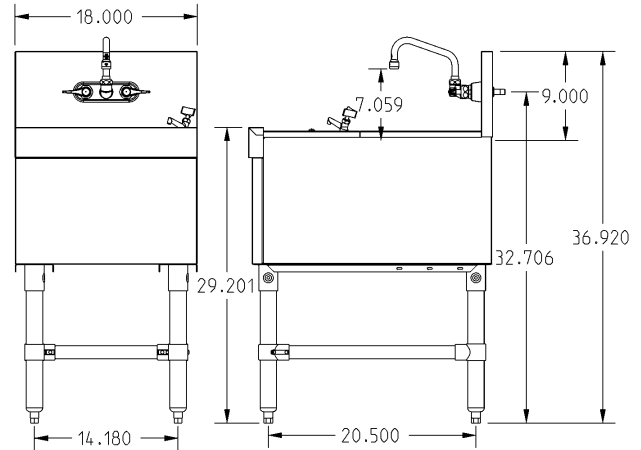
SIDE VIEW

O.A. size (width x length x height)		bowl size (width x length x depth)	
in.	mm	in.	mm
24" x 12" x 37"	610 x 305 x 939	9" x 9" x 4"	229 x 229 x 102

#DSGR-18-24



TOP VIEW



FRONT VIEW

SIDE VIEW

O.A. size (width x length x height)		bowl size (width x length x depth)	
in.	mm	in.	mm
24" x 18" x 37"	610 x 457 x 939	10" x 14" x 7"	254 x 356 x 178

Printed in U.S.A.
©2024 by Eagle Group

EG8186 Rev. 04/24

Phone: (800) 441-8440 or (302) 653-3000 • Fax: (302) 653-2065 • www.eaglegrp.com • www.eaglemhc.com

Although every attempt has been made to ensure the accuracy of the information provided, we cannot be held responsible for typographical or printing errors. Information and specifications are subject to change without notice. Please confirm at time of order.