



YOU CAN TRUST

## SHREDDER AND GRATER

RQC



**RQC**

CHEESE & COCONUT  
SHREDDER/GRATER



### STANDARD FEATURES

- RQC Cheese and Coconut Shredder/Grater is ideal for pizzerias, deli's, bakeries, bars, restaurants, hotels and similar operations.
- High productivity and less effort. Unique direct drive system and 1/2 HP powerful motor
- High quality and precise cuts. Feeding chute and discs specially designed to avoid food waste
- Easy to use and quick disc change system
- Robust structure providing high durability. Stainless steel and cast aluminum
- Microswitch disconnects power when handle is up and door is open
- Comes standard with 3 discs 1 grater and 2 shredders

ILLUSTRATIVE PHOTO, ACTUAL PRODUCTS AND ACCESSORIES ARE SUBJECT TO CHANGE WITHOUT NOTICE.



**Skyfood Equipment LLC**  
175 SW 7th Street, Ste 2416  
Miami, FL 33130

**Toll Free:**  
1-800-503-7534  
sales@skyfood.us

[www.skyfood.us](http://www.skyfood.us)

AutoQuotes

beedash



Follow us to keep up to date with the latest news and offers

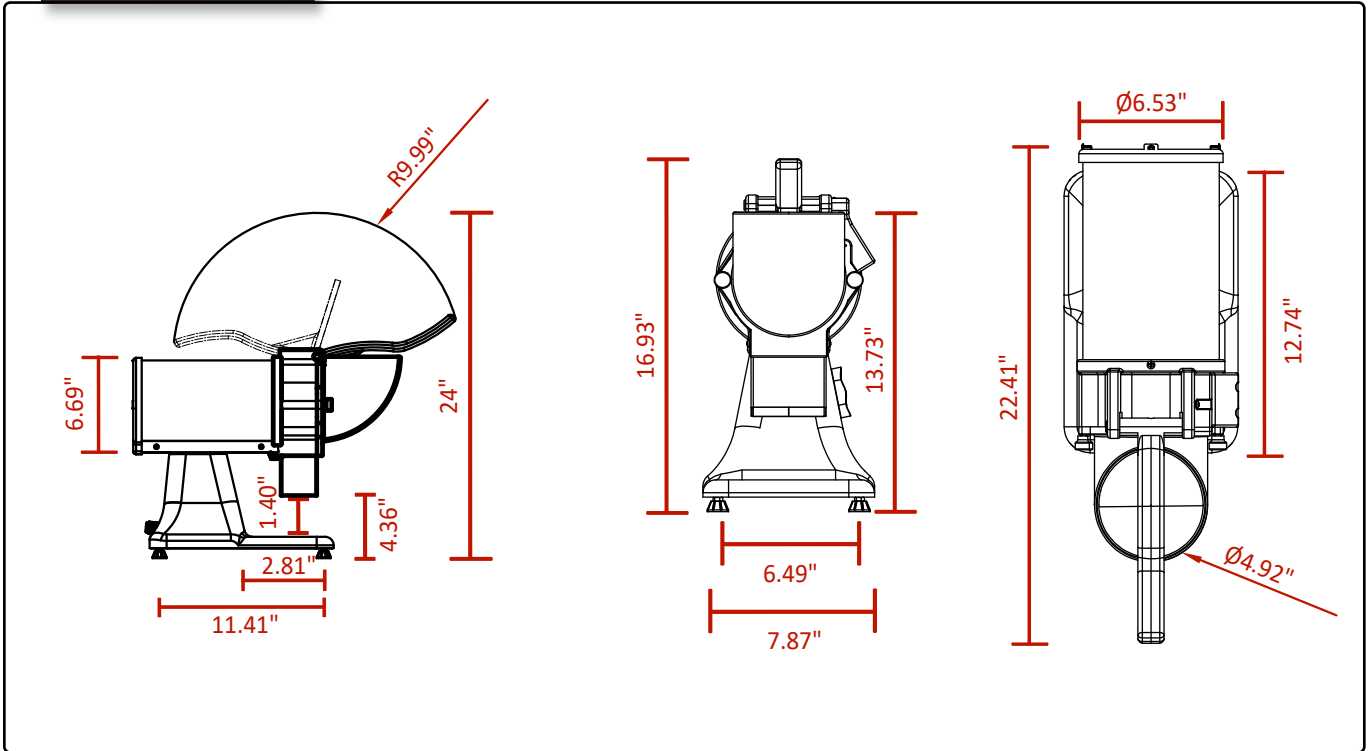
/SkyfoodEquipment

/SkyfoodEquipment

/SkyfoodEquipment



**DIMENSIONS**



**1 x Grater Disc**

Ideal for hard cheeses, such as parmesan, also for coconut and chocolate



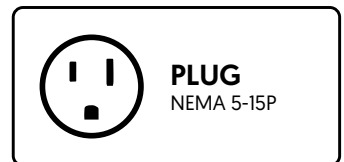
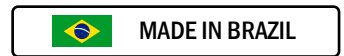
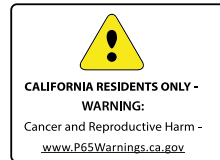
**1 x 5/32" Shredder Disc**

Ideal for vegetables



**1 x 5/16" Shredder Disc**

Ideal for soft cheeses, such as mozzarella, also for chocolate and coconut



Item	Voltage	Power Rating	Dimensions (W x D x H)	Weight (Net x Ship)	Disc Rotation	Disc Diameter	Feeding Chute	Production	PLUG
RQC	110 V	1/2 HP	8" x 22 1/2" x 16 1/2"	35 lb x 38 lb	1750	5 1/2"	21/8" x 43/4"	187 lb/h (approx)	NEMA 5-15P



**Skyfood Equipment LLC**  
175 SW 7th Street, Ste 2416  
Miami, FL 33130

**Toll Free:**  
1-800-503-7534  
sales@skyfood.us

[www.skyfood.us](http://www.skyfood.us)

