



# FOOD EQUIPMENT

SERVING THE FOOD INDUSTRY SINCE 1951

## SINGLE-SPEED DOUGH FORK MIXER

Item: 44256 Model: MX-IT-0025

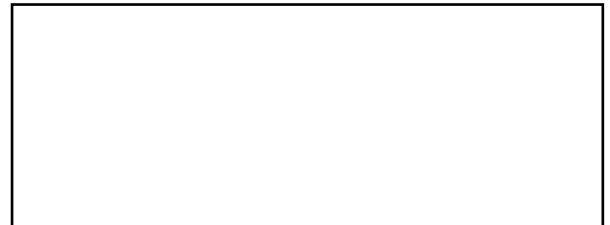


**MIX DOUGH FAST AND EASY**

*Omcan's single-speed dough fork mixer provides the perfect kneading solution for medium to large baking establishments. This unit comes in with a built-in timer to provide better control of the mixing process and allows the operator to multi-task by setting and forgetting. With this mixer you ensure consistent results everytime!*



**WARRANTY**  
PARTS AND LABOR



Authorized Dealer

# FOOD EQUIPMENT

## SINGLE-SPEED DOUGH FORK MIXER



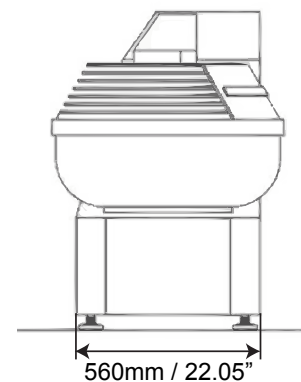
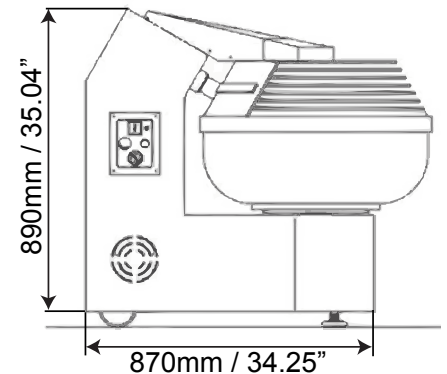
- This unit comes equipped with a high quality stainless steel bowl, fork, holder shaft and bowl guard
- Body is manufactured powder-coated steel that houses all transmission and mechanical components
- Equipped with powerful motor, trapezoidal belts, and two reduction gears that work independently for the bowl and fork.
- The rotating parts are assembled on ball-bearings
- Capable of kneading of up to 25 kilograms of dough
- The electrical system and safety devices conform to European Regulations
- Comes with a built in timer

NEMA  
6 - 15  
250 VAC / 15 AMP



### TECHNICAL SPECIFICATIONS

ITEM NUMBER	44256
MODEL	MX-IT-0025
POWER	1.5 kW / 2 HP
BOWL SPEED	9 RPM
FORK SPEED	28 RPM
BOWL CAPACITY	30 L / 26.40 QT
MAXIMUM KNEADING CAPACITY	25 kg. / 55 lbs. (9L of water; 16 kg of flour) Maximum capacity may vary depending on the ingredients
AMPERAGE	6.6A
ELECTRICAL	200-240 V / 60 Hz / 1Ph
NET WEIGHT	143 kg. / 315.26 lbs.
GROSS WEIGHT	154 kg. / 339.51 lbs.
DIMENSIONS (DWH)	34.25" x 22.05" x 35.04" / 870 x 560 x 890 mm
GROSS DIMENSIONS	37.80" x 27.55" x 39.37" / 960 x 700 x 1000 mm



## OMCAN INC.

Telephone: 1-800-465-0234  
 Fax: (905) 607-0234  
 Email: sales@omcan.com  
 Website: www.omcan.com



Follow us to keep up to date with the latest news and offers



2018.E.O.E