

# Champion®

The Dishwashing Machine Specialists

Project \_\_\_\_\_

Item No. \_\_\_\_\_

Quantity \_\_\_\_\_

IUH110E UNDERCOUNTER

## IUH110E

Undercounter High Temperature  
Overflow Type Dishwashing Machine  
with Built-in Booster Heater

### STANDARD FEATURES

- **NEW Smart Display** – digital temperature readouts and cycle progress indicators to simplify daily operation
- **NEW** Solid state controls
- **NEW Automatic Pumped Drain** no stand pipe
- **NEW Auto Clean** washes chamber at shutdown
- **NEW Advanced Service Diagnostics**
- **NEW Fill Sentry** – monitors incoming water pressure to ensure proper fill level and rinse performance
- **NEW Drain Sentry** – monitors and ensures proper draining of machine
- Rinse Sentry feature – Ensures proper 180°F/82°C final rinse temperature
- 2 kW tank heater
- Flexible fill and drain
- Low 0.85 US gal. /0.7 imp. gals. water usage per rack
- 120-second cycle time; 24 racks per hour capacity
- Built-in detergent and rinse aid dispensing pumps



Photo is for general visual representation only. Please refer to specifications for the latest detailed product information.



### OPTIONS & ACCESSORIES

- |  |             |
|--|-------------|
| <input type="checkbox"/> Flat bottom dishrack      | P/N 101273  |
| <input type="checkbox"/> Peg dishrack              | P/N 101285  |
| <input type="checkbox"/> 6" [152 mm] Stand         | P/N 0712393 |
| <input type="checkbox"/> 17RS – 17" [432 mm] Stand | P/N 0708757 |

### SPECIFIER STATEMENT

Specified unit will be Champion IUH110E undercounter high temperature dishwashing machine with built-in booster.

Features include 14-1/2" [368 mm] door opening clearance, top and side panels. Unit will have Rinse Sentry feature to ensure proper 180°F/ 82°C final rinse temperature and stainless steel rinse arms with removable end caps for easy cleaning.

1 year parts and labor warranty.



International

Champion Industries, Inc.  
 3765 Champion Blvd, Winston-Salem, NC 27105  
 Tel: 336/661-1556 Fax: 336/661-1979  
[www.championindustries.com](http://www.championindustries.com)

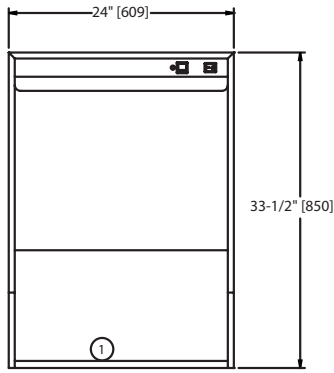
# Champion®

The Dishwashing Machine Specialists

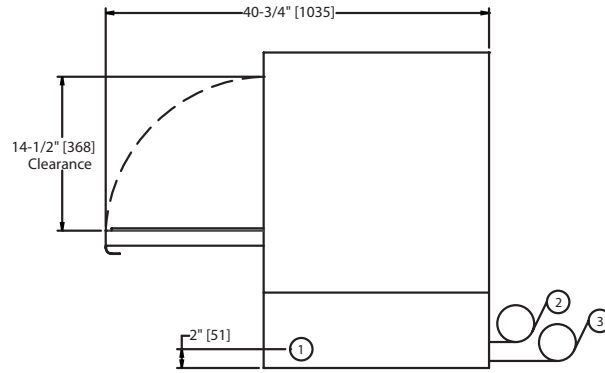
# IUH110E

Undercounter High Temperature  
Overflow Type Dishwashing Machine  
with Built-in Booster Heater

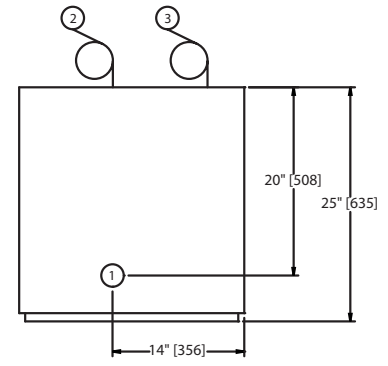
Dimensions shown in inches & [mm]



**Front View**



**Side View**



**Plan View**

## Utilities

<b>1 Electrical</b>	208-240/50-60/1; 2 wire + ground; hard wiring required (see boxes below)
<b>2 Hot Water</b>	<b>140°F/60°C Min., connection for 40°F/4.4°C rise booster.</b> 5 ft. [1524] long, 1/2" [12] I.D. flexible fill hose with 3/4" [19] NPT connection. Flow pressure: 18-22 psi (124-152 kPa)
<b>3 Drain Connection</b>	6 ft. [1829] long, 1" [25] I.D. flexible hose. Max. drain flow: 8 US gpm/6.9 Imp. gals.

IUH110E with **40°F/22°C Rise** Electric Booster

Electrical Specs	Rated Amps	Minimum Supply Circuit Ampacity	Maximum Overcurrent Protective Device
208/50-60/1	22	30	30
240/50-60/1	24	30	30

	Uncrated	Crated
<b>Height</b>	33-1/2" [851]	39-1/2" [1003]
<b>Width</b>	24" [609]	25" [635]
<b>Depth</b>	25" [635]	25-1/2" [648]
<b>Ship Wt. lbs</b>	148 [67 kg]	165 [57 kg]

\* Front leveling feet provided.

Due to an ongoing value analysis program at Champion, specifications contained in this catalog are subject to change without notice.

Champion Industries, Inc.,  
3765 Champion Blvd., NC 27105  
336/661-1556 • Fax: 336/661-1979  
ChampionIndustries.com

## SPECIFICATIONS

<b>Capacity</b>	NSF Racks per hr.	24
<b>Motor Horsepower</b>	Wash	1
<b>Water Consumption</b>	Gal. per hr. (max. use)	
	US gal.	20.4
	Liters	77.3
	Gal. per rack	
	US gal.	0.85
	Liters	3.2
<b>Temperatures °F/°C</b>	Wash (minimum)	150/66
	Rinse (minimum)	180/82
<b>Heating</b>	Tank heat, electric (kW)	2
	Electric booster (kW required for 40°F/4.4°C rise)	4
<b>Time Cycle in Seconds</b>	Wash	100
	Rinse	15
	Dwell	5
	Total	120



**Warning:** Plumbing and electrical connections should be made by qualified personnel who will observe all the applicable plumbing, sanitary and safety codes.

an Ali Group Company



The Spirit of Excellence