



HURAKAN

Heavy Duty Gas Griddles HKN-PSXGL48TA - 4 burners

Thermostatic

Item #: HKN-PSXGL48TA/US Project: _____
 Qty: _____ Date: _____ Approval: _____



Features

- 1 Maxitrol gas regulator
- 2 250F - 450F
- 3 3, 4" Adjustable stainless steel legs
- 4 Gas conversion kit
- 5 3/4" thick plate

Certifications



ETL, US



ETL Sanitation



3/4" Gas Connection



Field Convertible (Gas)

Technical Data

Width	48 Inches
Depth	32 Inches
Height	15 6/8 Inches
Cooking Surface Width	47 1/2 Inches
Cooking Surface Depth	22 2/8 Inches
Backsplash	With Backsplash
Burner BTU	30000
Burner Style	U-Shaped
Control Type	Thermostatic
Cooking Surface Material	Mild steel

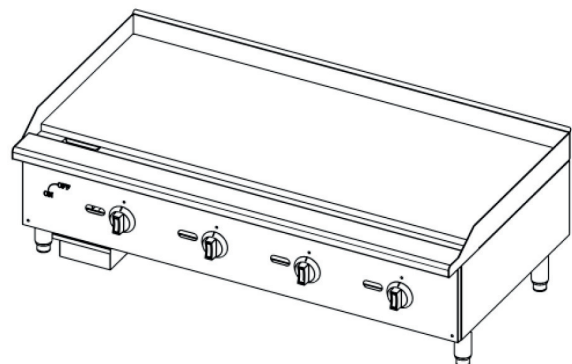
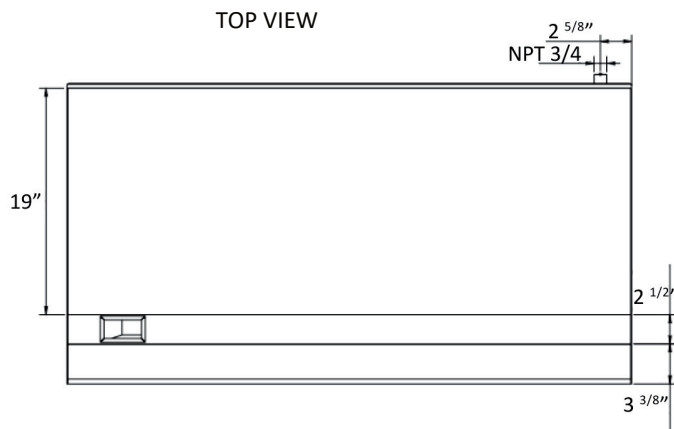
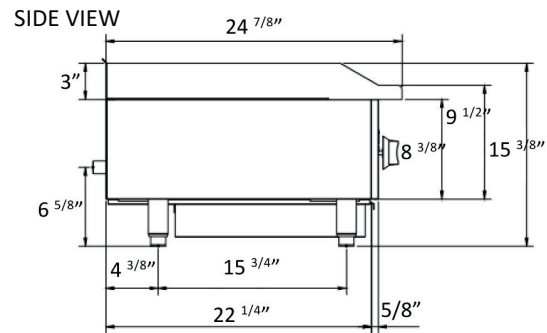
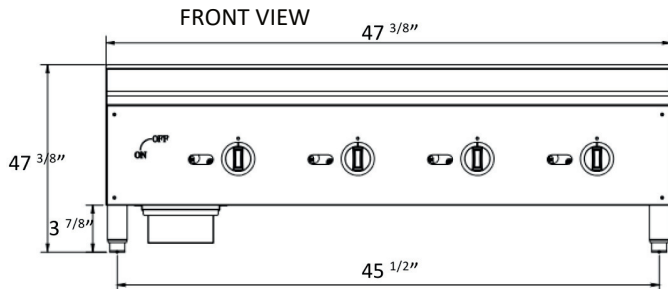
www.equip.me



Technical Data

Features	
Gas Inlet Size	3/4 Inches
Installation Type	Countertop
Number of Burners	4 Burners
Number of Controls	4
Plate Thickness	3/4 Inches
Power Type	Natural Gas
Total BTU	120000
Type	Griddles
Usage	Medium Duty

Plan View





Notes & Details

Gas Griddle - 48" with Thermostatic Control.

Introducing our Gas Griddle, meticulously crafted to meet the demands of professional-grade cooking. With a robust cast iron H-shape burner configuration, each delivering 30,000 BTU/hr, optimal heat distribution is guaranteed for consistent culinary excellence.

Enjoy precise temperature management with one control every 12 inches, placing culinary control at your fingertips. The standby pilot simplifies ignition, while the 3/4" thick griddle plate ensures durability and even heat distribution for flawless cooking results.

Stainless steel adjustable heavy-duty legs provide unwavering stability on any surface, complemented by zinc alloy knobs with a chrome coating for an added touch of sophistication. Cleanup is effortless with the integrated oil collector at the bottom, while the option for easy conversion from natural gas to propane enhances versatility.

Available in widths ranging from 24" to 60", with stainless steel construction on the front and sides, our Gas Griddle offers unmatched reliability and durability for professional kitchens.

Experience tailored cooking with thermostatic control, empowering chefs to create culinary masterpieces with precision and finesse. Elevate your cooking standards with our Gas Griddle—an epitome of performance and versatility.

Instructions and images in this manual are only for reference and may differ from the actual product. Launch the E-Manual.