

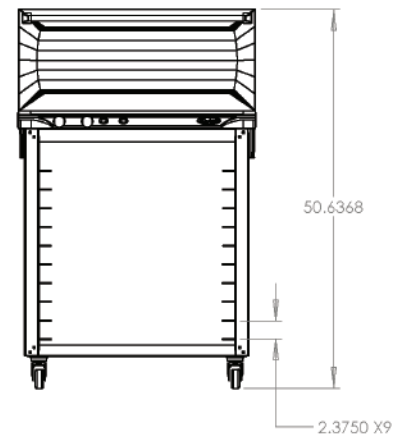
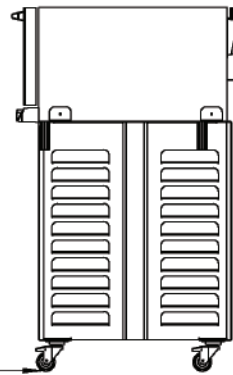
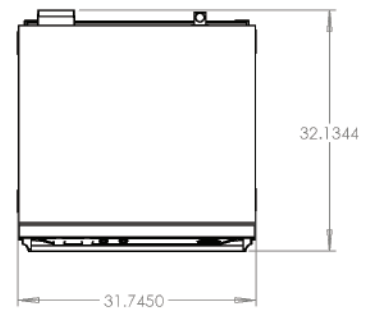
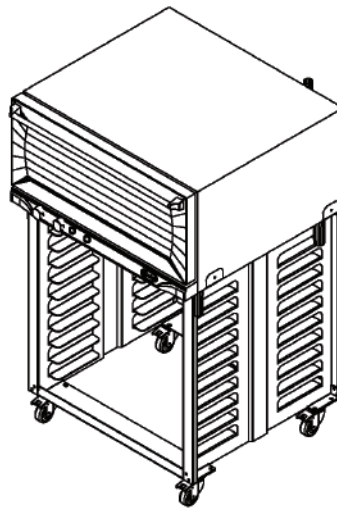


XAF STATIONS

MODEL: XAFS-183

The XAF Station is a heavy duty, manual control oven features one XAF convection oven on the OST Cadco stand, offering enhanced capacity and efficient cooking.

It's compact and easy-to-manage and perfect for establishments requiring high-volume cooking with minimal space.



CASTERS
2 LOCKING
2 TOTAL LOCKING

SPEC FOR EACH XAF-183

Unit Dimensions (W" x H" x D"): 31 1/2 x 19 7/8 x 32
Cavity Size (W" x H" x D"): 27 1/4 x 10 x 18 3/4; 3 cft.
(One fan. NEMA L6-30 plug.) Shelves: 3
Volts: 208-240 Watts: 4600 Amps: 20

SPEC FOR OST-195-C

Handles 10 full size sheetpans (not included)
Aluminum (assembly required)
Silent casters (2 with brakes, 2 with directional locks)
Unit: 31.71" W x 36.78" H x 27" D

XAFS-183 will ship one pallet. **Pallet #1: 38x35x56 (250lbs)**



www.cadco-ltd.com



860.738.2500



info@cadco-ltd.com