

Digital Cabinets

Thawing Cabinet, 1 Door, 670lt - 60Hz

ITEM # _____

MODEL # _____

NAME # _____

SIS # _____

AIA # _____


725153 (TC671DZXU2)

1-door thawing cabinet, 15 stainless steel grids, 176 gal, 28 - 50°F, AISI 304 - US

Short Form Specification

Item No.

Full door thawing cabinet mainly constructed in A304 stainless steel for everlasting operation in all working environments. Fully pressed bottom plate and rounded corners; it is supplied with 15 AISI 304 grids 2/1 and the rack support can be removed without tools.

Control panel indicating the real temperature evolution of the cabinet during the preservation process. The electronic control switches automatically from thawing into preservation to avoid bacteria proliferation. It is fully customizable in time, temperatures and thaw/ preservation split of phases. The 3 factory-preset and 1 free program to cope with loads from approximately 44lbs (20kg) to 176lbs (80kg). Built-in refrigeration unit with R134a gas in refrigeration circuit. Meets HACCP requirements. Delivered on wheels.

Main Features

- Fully customizable parameters to suit even the most demanding needs.
- Temperature display shows real temperature evolution allowing for frequent and brief checks during the thawing-preservation process.
- The electronic control switches automatically from thawing into preservation to avoid bacteria proliferation.
- Cabinet fitted with up to 3" (75 mm) thickness of cyclopentane insulation for best insulating performance with 100% environmental protection (thermal conductivity: 0,020 W/m*K).
- Even airflow ensured by back air conveyor and ensuring consistent results on products to be thawed in a single load.
- Powerful fan to ensure a quick and uniform thawing process.
- Fully HACCP compliant thanks to the temperature control, visualisation and alarm management.
- 3 factory-preset and 1 free program to cope with loads from approx 44lbs (20kg) to 176lbs (80kg). All programs are customisable in time, temperatures and thaw/ preservation split of phases.
- Fits Fifteen (15) Full Size Pans (18x26) on AISI 304 grids GN 2/1 supplied as standard to maximize internal space.
- Lockable door with closure latch.

Construction

- Developed and produced in ISO 9001 and ISO 14001 certified factory.
- Fully pressed bottom plate and rounded corners for easier cleaning.
- Mainly construction in A304 stainless steel for everlasting operation in all working environment.
- 4 wheels (front ones with brakes) are supplied as standard to ease cleaning operations.

Sustainability



- CFC, HCFC, HFC-free insulation.

Included Accessories

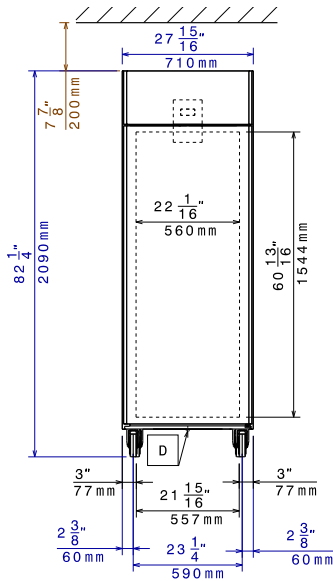
- 1 of 4 swiveling wheels (2 with brake) PNC 881002
- 15 of 20" x 26" AISI 304 stainless steel grid PNC 881016

Optional Accessories

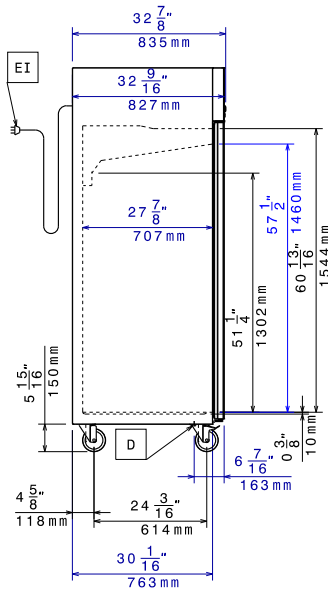
- 4 swiveling wheels (2 with brake) PNC 881002
- 20" x 26" AISI 304 stainless steel grid PNC 881016
- Kit door with reduced depth and deflector PNC 881220

APPROVAL: _____

Front

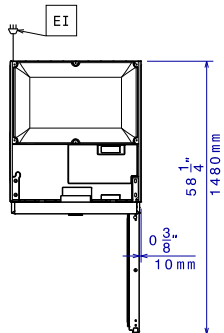


Side



EI = Electrical connection

Top



Electric

Supply voltage:	725153 (TC671DZXU2)	208 V/1 ph/60 Hz
Electrical power, max:		1.52 kW
Plug type:		Cable without plug

Key Information:

ETL Cert. Model:	VIMTTNU
N° of doors:	1
External dimensions, Width:	27 15/16" (710 mm)
External dimensions, Depth:	32 7/8" (835 mm)
External dimensions, Height:	82 1/4" (2090 mm)
Internal Dimensions (depth):	27 13/16" / (707 mm)
Internal Dimensions (height):	57 1/2" / (1460 mm)
Internal Dimensions (width):	22 1/16" / (560 mm)
Shipping height:	88 9/16" (2250 mm)
Shipping weight:	428 lbs (194 kg)
Shipping volume:	70.19 ft ³ (1.99 m ³)
Type of external material:	304 AISI
Type of internal material:	304 AISI
	ETL C&US;ETL SANITATION

Approvals

Back panel:	Galvanized Steel
Number of positions & pitch:	15; 80 mm

Refrigeration Data

Control type:	Digital
Compressor power:	1/3 hp
Operating temperature min.:	32 °F
Operating temperature max.:	50 °F

ISO Certificates

ISO Standards:	ISO 9001; ISO 14001; ISO 45001; ISO 50001
-----------------------	---

Sustainability

Noise level:	54 dBA
Refrigerant type:	R134a
GWP Index:	1430
Refrigerant weight:	300 g