



REVOLUTION

Freshness Revolutionized

LOWER VOLUME

20 🍊 MIN.

Squeeze the most out of your space and oranges: Modern efficient design and high performance on 9" of counterspace.

FOCUSED DESIGN:

- Self-service and staff-operation for the smallest spaces.
- Ideal for locations serving orange juice by the glass.
- Simply press the tap or button to start juicing.
- Long fruit supply tunnel holds up to 6 oranges.

USER-FRIENDLY EFFICIENCY AND HYGIENE:

- One single Cross Holder secures all juicing elements.
- Fast and easy disassembly, cleaning, and reassembly.
- Double Cover separates juice zone from motor and keeps juicer housing clean.
- Dishwasher-safe juicing parts for improved hygiene.

SUPERIOR TASTE: SCS knife delivers precise fruit cuts, reduces peel oil, and yields sweeter-tasting juice.

SMART TECHNOLOGY: Multi-functional digital display with fruit counter, intelligent stop, and more.

PROVEN QUALITY: 100% Citrocasa quality in compact design. Our slimmest juicer for lower volume yet high performance.



REVOLUTION

390 mm / 15.3 in

910 mm / 35.8 in



OPTIONAL ACCESSORIES:

- | Fruit Supply Basket
- | Counter-Installation Kit with large 130-fruit-capacity waste bucket
- | Rolling Stainless-Steel Cabinet



2-ZONE-TECHNOLOGY:

Complete separation of *motor zone* and *juicing zone* with stainless-steel Double Cover for improved hygiene and cleaning efficiency.

ADDITIONAL INFORMATION:

LOWER VOLUME CITRUS JUICER

Fruit per minute

20 pieces

Fruit supply tunnel

6 pieces

Fruit supply basket capacity (opt.)

20 lb

Fruit type

Citrus fruit (oranges)

Fruit size, Standard Pressing Kit (incl.)

2.55-3.14 in / 100 to 180 count

Juicing modes

Self-service tap /

Continuous

Installation

Free-standing / countertop kit /

Stainless-steel cabinet

Net weight

97 lb

Power Supply

120 V / 60 Hz

Power

200 W / 0.2 kW

Fuse / Protection

6.3 A / IPx1

Warranty

Limited 2-year

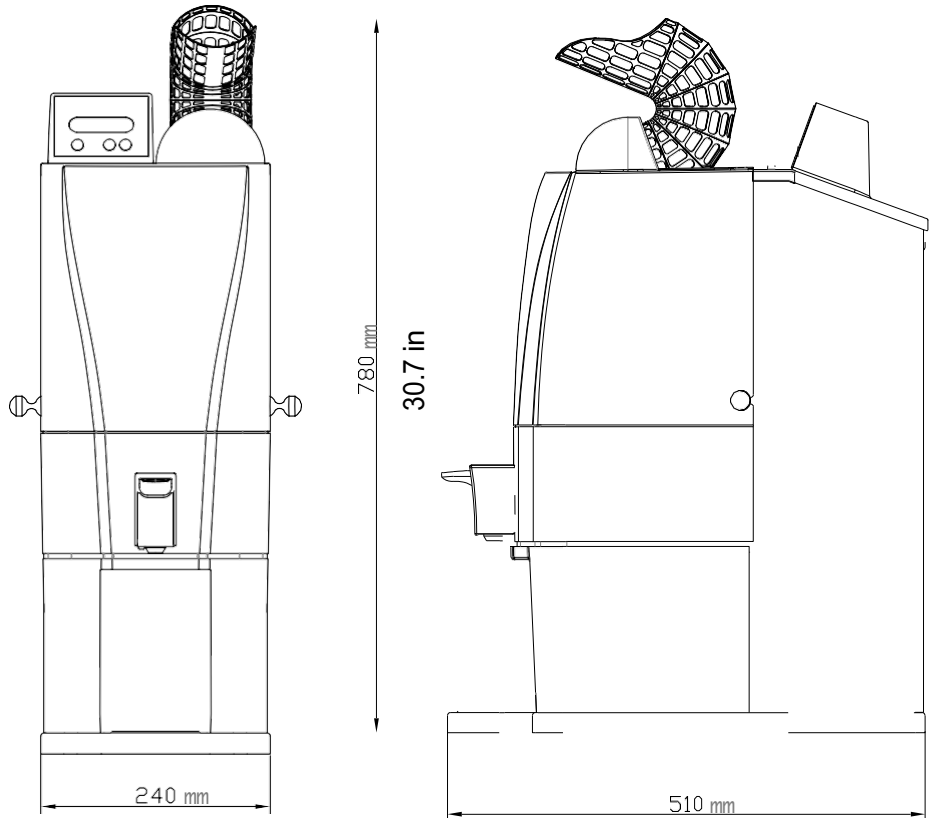
Certifications



Parts and Support

(407) 790 7862

www.citrusamerica.com



9.5 in

20 in

Measurements in mm/inches

NSF International

789 N. Dixboro Road, Ann Arbor, MI 48105 USA

RECOGNIZES

Citrocasa GmbH

Austria

AS COMPLYING WITH NSF/ANSI 8, 169 AND ALL APPLICABLE REQUIREMENTS.
PRODUCTS APPEARING IN THE NSF OFFICIAL LISTING ARE
AUTHORIZED TO BEAR THE NSF MARK.



ISO/IEC 17065
Product Certification Body
#0216

Certification Program
Accredited by the
American National
Standards Institute



Certification Program
Accredited by the
Standards Council
of Canada

This certificate is the property of NSF International and must be returned upon request. This certificate remains valid as long as this client has products in NSF's Official Listings for the referenced standards. For the most current and complete Listing information, please access NSF's website (www.nsf.org).

A handwritten signature in black ink, appearing to read "S Krol", is written over a horizontal line.

July 17, 2019

Certificate# C0034229 - 04

Sarah Krol

Global Managing Director, Food Safety Product Certification

The supervised limit values of the

Commission Regulation (EU) No 10/2011 of 14 January 2011 on plastic materials and articles intended to come into contact with food, Official Journal of the European Union L 12/1 of 15 January 2011, last amendment by Commission Regulation (EU) No 2017/752 of 28 April 2017, Official Journal of the European Union L 113/18 of 29 April 2017,

and of the


Bedarfsgegenständeverordnung in der Fassung der Bekanntmachung vom 23. Dezember 1997 (BGBl. 1998 I S. 5), zuletzt geändert durch Artikel 2 Absatz 1 des Gesetzes vom 15. Februar 2016 (BGBl. I S. 198),

(Decree on Consumer Goods in the version of the communication of 23 December 1997 (BGBl. 1998 I p. 5), last modification by Article 2 section 1 of the Law of 15 February 2016 (BGBl. I p. 198)),

are kept regarding the migration behavior.

This expert's opinion consists of 2 pages.

staatlich anerkannter Sachverständiger
zur Untersuchung der Gegenproben von
Verpackungsmitteln aus Papier, Pappe,
Kunststoffen, Glas, Weißblech und
sonstigen Metallverpackungen auf ihre
Lebensmittelrechtliche Unbedenklichkeit


(Behrendt)
Officially certified
and authorized food
chemist

