



Model: **16-155L** Item #: \_\_\_\_\_ Date: \_\_\_\_\_

Project: \_\_\_\_\_ Qty: \_\_\_\_\_ Approved By: \_\_\_\_\_

# Dipperwell Faucet with 0.25 GPM Flow Restrictor

Royal Series

## DESCRIPTION

- Single Hole Deck Mount Dipperwell Faucet with 0.25 GPM Flow Restrictor, Polish Chrome Finish



## STANDARD FEATURES

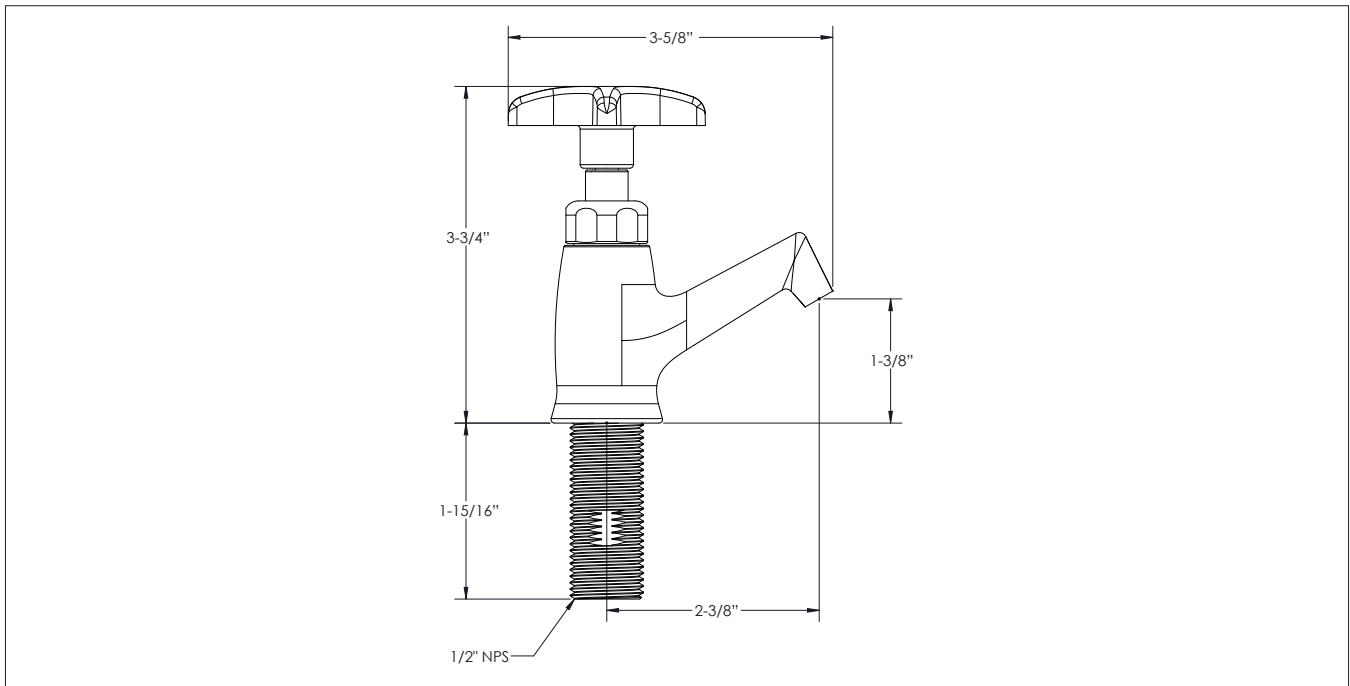
- Polished chrome cross handle knob
- 1/2" NPS inlet with included 1/4" NPT tailpiece
- 0.25 GPM Flow Restrictor installed inside shank
- Warranty: 3 years

## SPECIFICATIONS

Water Inlet	1/2" NPS
Temp. Range	40°F - 140°F
Pressure	20-120 PSI
Rough In	7/8" Hole
Flow Rate	0.25 GPM
Material	Solid Brass
Finish	Polished Chrome
Weight	1 lbs.

## PRODUCT COMPLIANCE

- NSF-61 & NSF/ANSI 372
- ASME A112.18.1-2012/CSA B125.1-12
- Massachusetts Approved
- CEC Approved



**WARNING:** Plumbing connections should be made by qualified personnel who will observe all applicable plumbing, sanitary and safety codes. California Proposition 65 Warning