

Hand Sinks With Glass Rinsers



PRCS-25-12

Dipper Well & Faucet



PRCS-25-18

Item #: _____ Qty #: _____
 Model #: _____
 Project #: _____

FEATURES:

- K-125 splash mount swing spout faucet
- 29" working height
- 7" backsplash
- Stainless steel top, apron, sides, legs and adjustable bullet feet
- Stainless steel glass rinsers with removable drainboard
- Adjustable stainless steel side cross-bracing

Additional Features:

- PRCS-25-12** - One Piece Deep Drawn 9" x 9" x 4" sink bowl with 2" drain with strainer plate
- PRCS-25-18** - One Piece Deep Drawn 14" x 10" x 7" sink bowl with 2" drain with strainer plate
- Dipper well with A-33 faucet

MATERIAL:

- Sink:** 20 gauge, 300 stainless steel
- Glass Rinsers:** 18 gauge stainless steel
- K-125 Sink Faucet:** Splash mounted, chrome plated brass body, chrome plated handle
- Legs:** 1-5/8" O.D. 18 gauge, 300 stainless steel with 1" adjustable stainless steel bullet feet

PRCS-25-18 Only:

- Dipper Well:** Stainless steel insert
- A-33 Dipper Well Faucet:** Deck mounted, chrome plated brass body, chrome plated handle

MECHANICAL:

- Sink:** 1-1/2" IPS outlet drain
- Glass Rinsers:** 4-1/2" Glass Rinsers Area
- Water Connection:** External - 1/2" BSP (Standard Plumbing Connection)
- Sink Drain:** Threaded Brass 1-1/2" x 1/2" ID, 1" IPS
- Dipper Well (PRCS-25-18 Only):** 1-1/2" IPS drain
- Water Connection for Dipper Well & Glass Rinsers:** External - 1/2" BSP (Standard Plumbing Connection)

Model #	Size L x W x H	Approx. Weight	Approx. Cu. Ft.
PRCS-25-12	12" x 25" x 36"	65 lbs.	7
PRCS-25-18	18" x 25" x 36"	80 lbs.	9

REPLACEMENT PARTS



K-125
6" Splash Mounted Faucet



A-33
Dipper Well Faucet (For PRCS-25-18)



A-7
Dipper Well (For PRCS-25-18)



SU-16
Glass Rinsers



A-10
1" Water Outlet For Drainboard



K-63
1-1/2" Drain

OPTIONAL



A-16 Perforated Basket (Fits PRCS-25-18)



A-17A Perforated Basket (Fits PRCS-25-12)

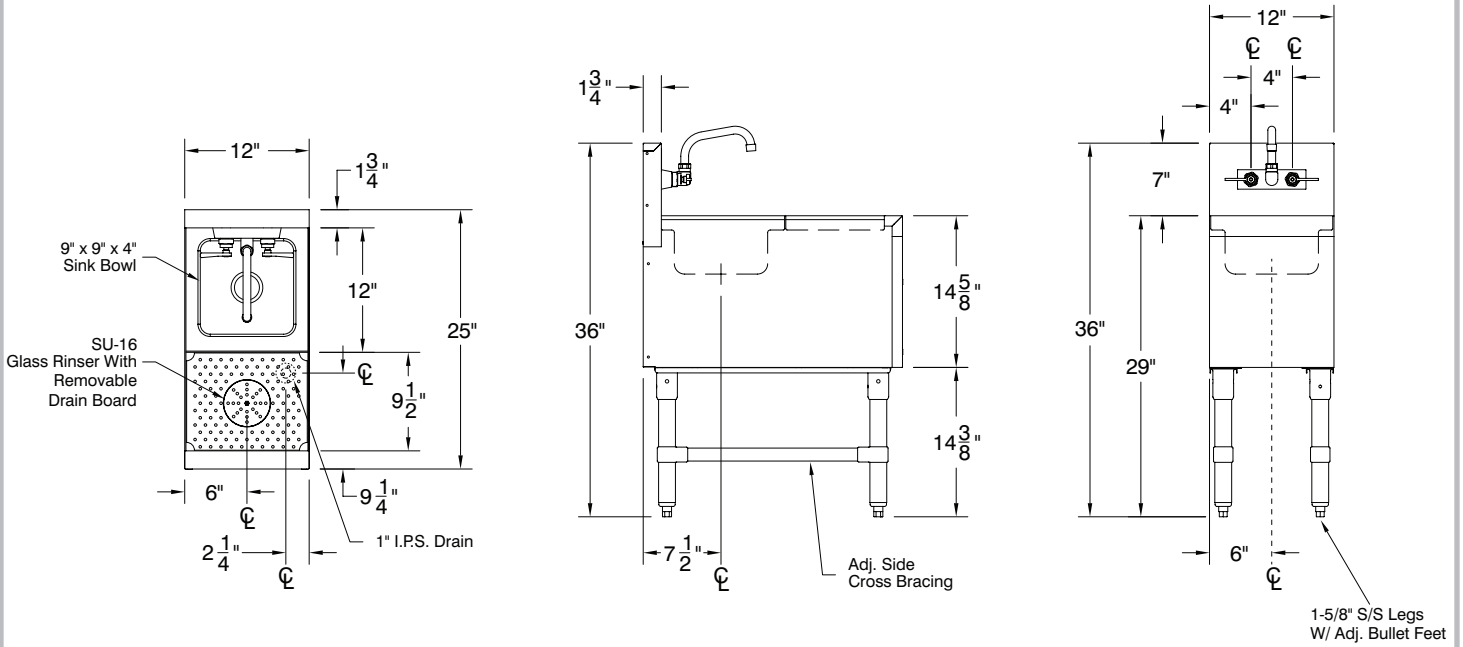
WARNING: Faucets on this page may expose you to chemicals, including lead, that are known to the State of California to cause cancer or birth defects or other reproductive harm. For more info, visit www.p65warnings.ca.gov.

DIMENSIONS and SPECIFICATIONS

TOL Overall: ± .500" Interior: ± .250"

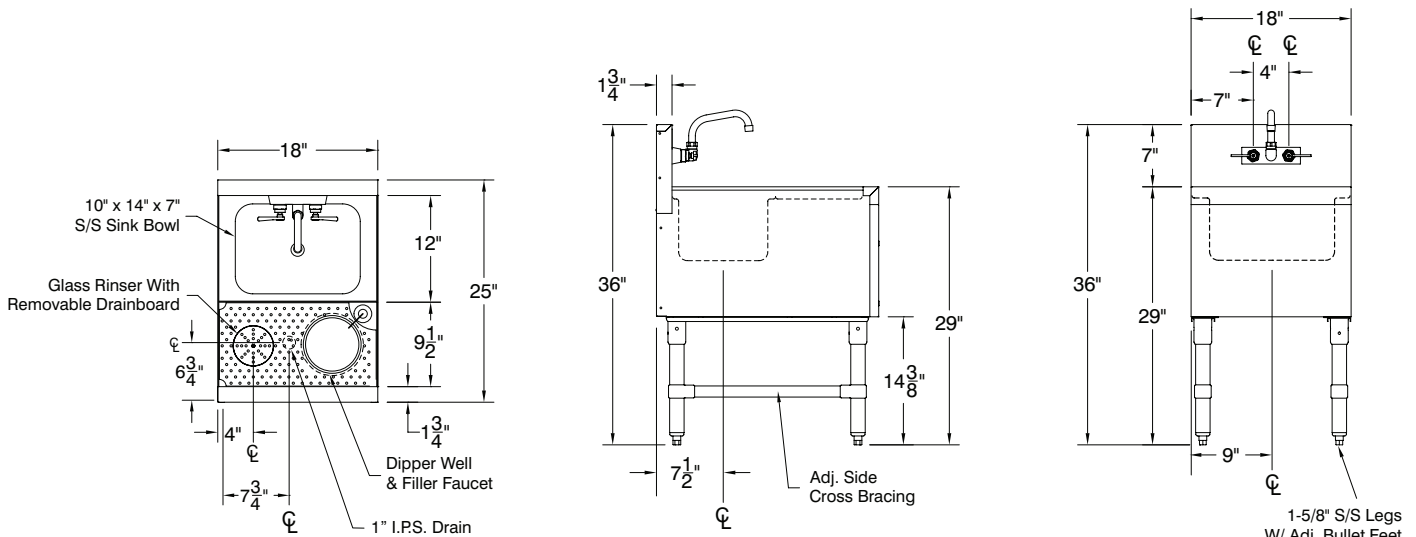
ALL DIMENSIONS ARE TYPICAL

PRCS-25-12



65 Lbs.

PRCS-25-18



80 Lbs.

