



Profit from the Eagle Advantage®

Specification Sheet

Item No.: _____
 Project No.: _____
 S.I.S. No.: _____

Catalog Specification Sheet No.

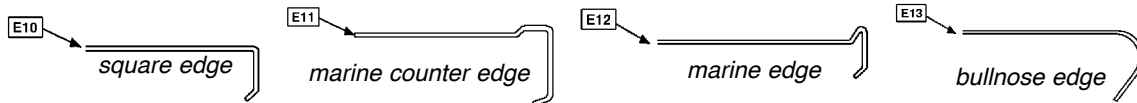
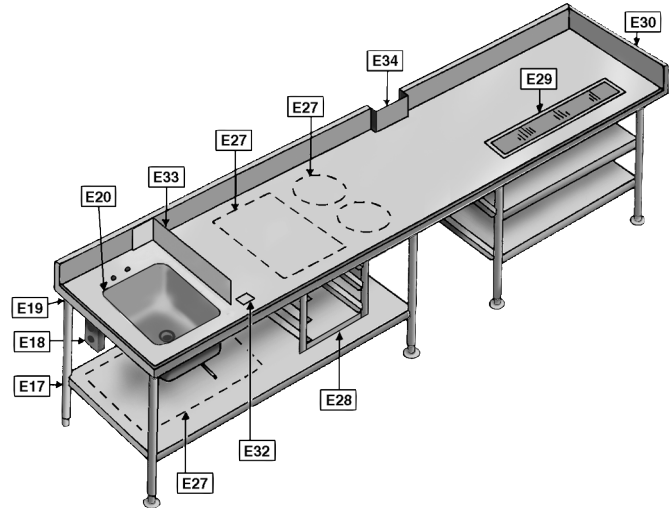
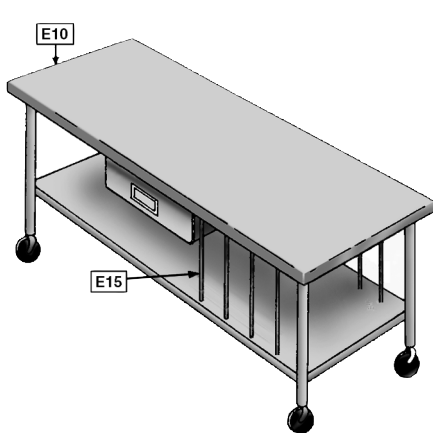
EG10.50

Table Modifications

Table Modifications and Accessories

For complete list of E# models and description, see chart below and chart on back page.

Refer to chart below for description of E# models.



model #	description
E10	Square edge table - front and/or rear
E11	Marine counter edge
E12	"V" type marine edge
E13	Bullnose edge
300698	Casters - 4" (102mm)-diameter with brake
300699	Casters - 4" (102mm)-diameter without brake
317635	Casters - 5" (127mm)-diameter with brake
317636	Casters - 5" (127mm)-diameter without brake
300692	Bullet feet - stainless steel
301036	Bullet feet - white metal
300293	Bullet feet - plastic

model #	description
313835	Stainless steel flanged bullet feet
E15	Vertical tray dividers - 4-section assembly, 3" on centers
E17	Special height legs
E18*	Duplex receptacle and mounting plate (under table)
E18.1*	Duplex receptacle in splash (requires at least 6"-high splash)
E18.2*	Pedestal duplex receptacle (top of table or overshelf)
E19	Stainless steel gussets

NOT PICTURED

model #	description
606329	Scrap chute, 6" (152mm)-diameter
606331	Knife rack (fits rolled rim, poly, and square edge tables)

* For GFI receptacle, add "-GFI" to E number (example: E18.1-GFI).

EAGLE GROUP
 100 Industrial Boulevard, Clayton, DE 19938-8903 USA
 Phone: 302-653-3000 • 800-441-8440 • Fax: 302-653-2065
www.eaglegrp.com
www.eaglemhc.com

For custom configuration or fabrication needs, contact our **SpecFAB®** Division.
 Phone: 302-653-3000 • Fax: 302-653-2065 • e-mail: quotes@eaglegrp.com



EG10.50 Rev. 03/24

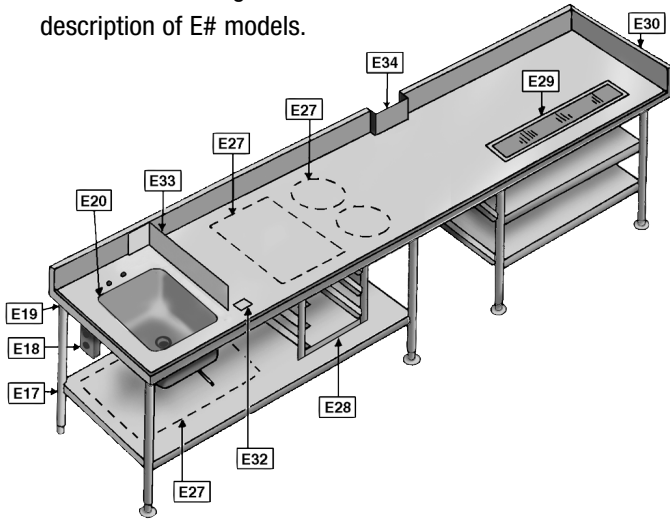
Spec sheets available for viewing, printing or downloading from our online literature library at our websites



Profit from the Eagle Advantage®

Table Modifications and Accessories

Refer to chart at right for description of E# models.



Item No.: _____
 Project No.: _____
 S.I.S. No.: _____

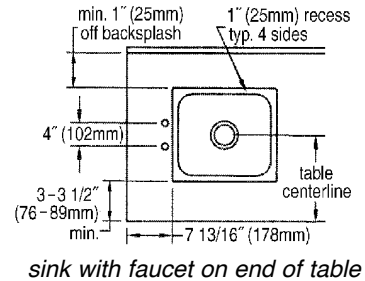
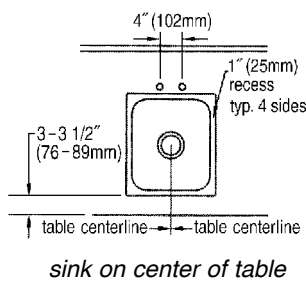
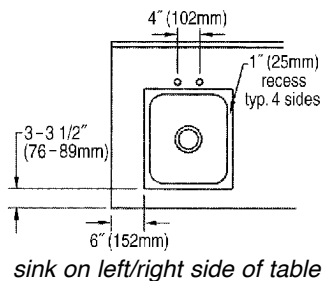
model #	description
Sinks — complete with faucet and basket drain (Specify location)	
E20	- 10" x 14" x 9.5" bowl (254 x 356 x 241mm)
E21	- 14" x 16" x 9.5" bowl (356 x 406 x 241mm)
E22*	- 16" x 20" x 8" bowl (406 x 508 x 203mm)
E23*	- 16" x 20" x 14" bowl (406 x 508 x 356mm)
E24*	- 18" x 20" x 14" bowl (457 x 508 x 356mm)
E24A*	- 20" x 20" x 14" (508 x 508 x 356mm)
E25	- 24" x 24" x 14" bowl (610 x 610 x 356mm) for 36" (914mm)-wide tables
313304	T&S faucet upgrade - deck mount 4" (102mm) centers
300720	Lever drain - 1.5" I.P.S. (38mm)
300721	Lever drain - 2" I.P.S. (51mm)
300722	Lever drain - 2" I.P.S. (51mm) with overflow
341189**	Twist handle drain - 1.5" I.P.S. (38mm)
336002**	Twist handle drain - 2" I.P.S. (51mm)
341190**	Twist handle drain - 2" I.P.S. (51mm) with overflow
E27	Top cutout - square or round (Specify location)
E28	Angle slides for pans, up to six pairs (Specify location and pan size)
E29	Urn trough, 4.5" wide x 1.25" deep (114 x 32mm) with 1.5" (38mm) drain, complete with louvered grate. (Length must be maximum of 6" shorter than table. Specify location.)
E30	End splash — per end (Specify end), all heights
E31	1.5" (38mm) rear upturn for undershelf
E32	Can opener hole with under table support (Specify location)
E33	Sink splash — single thickness, 4" tall (102mm)
E34	Column cutout (Send floor plan/sketch)

NOT PICTURED

model #	description
E35	16 gauge s/s apron in front of sinks or cutouts
E36	Fully welded - top, undershelf & legs
E36A	Welded base only - undershelf & legs
E37	NSF sprayed-on sound deadening up to 12' (3658mm)
E37A	- for each additional foot
E38-6***	Cantilever mount up to 6' (1829mm)
E38-12***	Cantilever mount up to 12' (3658mm)
E39	Enclosed backsplash

* These sink bowls will not fit in a table any less than 30" (762mm) wide.
 ** Optional twist drain brackets available for use with twist handle drains.
 *** Applicable to wall mount shelves and pot racks.

Optional Sinks Built Into Tables – Standard Locations



EAGLE GROUP
 100 Industrial Boulevard, Clayton, DE 19938-8903 USA
 Phone: 302-653-3000 or 800-441-8440 • Fax: 302-653-2065
 www.eaglegrp.com • www.eaglemhc.com

Printed in U.S.A.
 ©2024 by Eagle Group

Rev. 03/24

Spec sheets available for viewing, printing or downloading from our online literature library at our websites

Although every attempt has been made to ensure the accuracy of the information provided, we cannot be held responsible for typographical or printing errors. Information and specifications are subject to change without notice. Please confirm at time of order.