



Our business is enhancing
your business

Infinity 5 Start Reach-In Blast Chiller



- Chill 55 lbs from 194°F to 37°F in 90 minutes.
- Freeze 33 lbs from 194°F to -0.4°F in 240 minutes.



Infinity Series Blast Chiller

Standard Product Features:

- 40°C Ambient Rating
- Capacity of 5 x GN 1/1 Steam Table Pans
- 9" touch control system
- Blast freezing capacity of 33 lb and blast chilling capacity of 55 lb
- 7 cycles including blast chill, shock freeze, and thaw, which can be automatic or manual
- Multilevel function, defrosting function
- Removable electronic panel for easy maintenance
- Stainless steel AISI 304 construction
- SD card with tutorial videos and USB door for HACCP data download
- Multipoint core probe (4 reading points)

Reach-In Blast Chillers

Accessories & Options

- EVOCloud (remote control system)
- LED lighting
- Sterilizer function
- Tracer function (for temperature tracking and food safety compliance)
- Supervisor function (for remote temperature monitoring and HACCP data recording)
- Wi-Fi probe (for wireless temperature monitoring)
- USB port (for HACCP data download)
- Removable air filter
- Additional shelves and supports



Web: www.gbsamerica.com

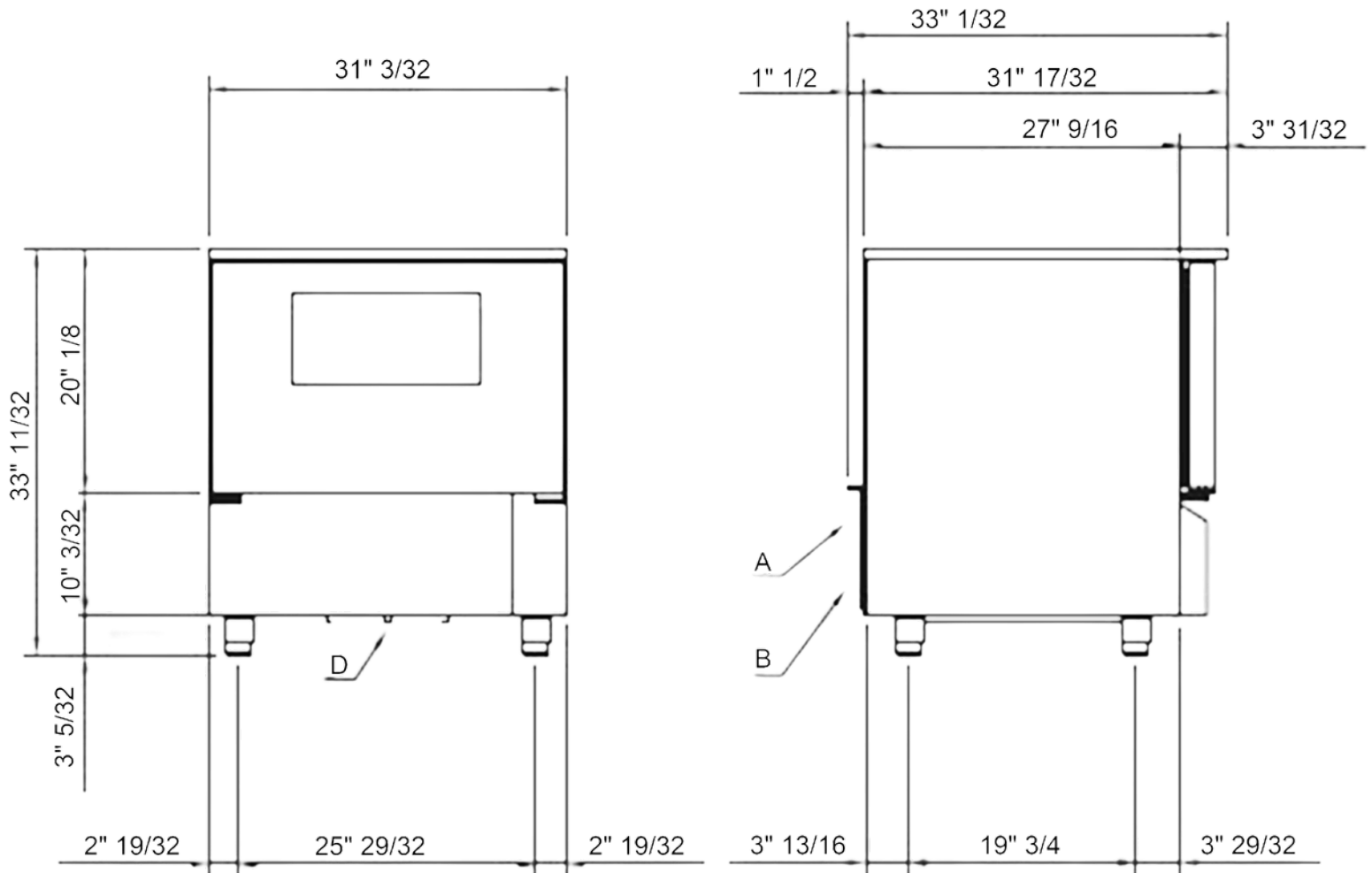
Distributed in United States by GBS US Foodservice Equipment, Inc.

E-mail: Sales@Gbsamerica.com | Tel: (888) 402-1242



Infinity 5 Start Reach-In Blast Chiller

Line Drawing & Dimensions



Prop. 65 Warning for California Residents



WARNING:

Cancer and Reproductive Harm -
www.P65Warnings.ca.gov

Web: www.gbsamerica.com

Distributed in United States by GBS US Foodservice Equipment, Inc.

E-mail: Sales@Gbsamerica.com | Tel: (888) 402-1242



Dimensional Data

External Dimensions:	See Drawing
Internal Dimensions:	26.31 x 16.47 x 14.44
Packing Dimensions:	32.69 x 33.84 x 38.59
Insulation Thickness (in):	2.36
Internal Volume (gal):	26.41
Gross Weight (lbs):	258
Net Weight (lbs):	245

Electrical & Refrigeration Data

Power Supply (V / Ph / Hz):	220/1/60
Nominal Power Consumption (W):	704*
Blast Chilling Yield (lbs):	55
Shock Freezing Yield (lbs):	33
Compressor:	NT2178GK
Noise (db):	60
Maximum Absorbed Current (Amps):	8.05
Climatic Class:	5
Refrigerating Power (W):	570*
Gas:	R404A - GWP 3922 - lb 2.64
Controller:	Touch Screen 9"

Warranty Information

- 2 Years: Comprehensive coverage on parts and labor.
- 5 Years: Coverage for the compressor.

Optional Features

- Locking casters with brake (2 with brake, 2 without), 6.3"

Equipment Specifications

Controller / Basic Operations

Simple, clear and intuitive controls on the TOUCH SCREEN 9", 16 million color display, guide the operator and offer both automatic and manual cycles. Manual operating cycles are designed for the more experienced users who prefer to create their own customized blast chilling settings. Automatic cycles allow the user to use pre-set programs for many different types of foods.

Food Scan with Multi-Point Probe

INFINITY is the only chiller equipped with a multipoint pin probe as standard. The 4 measurement points can detect the exact temperature of food simply and immediately. Even when the probe is inserted entirely correctly, the machine is able to scan the temperature on the four pins, and detect the highest temperature, which will be the reference point in reaching the desired temperature. Furthermore, various options are available, such as the wireless WMP probe or the heated core probe.

HACCP Information

Real time HACCP graphics for monitoring temperatures and cycle duration in real time. HACCP reports viewable and downloadable via the USB port to a PC. The HACCP report archive can be back searched up to a year, by simply entering the desired date. By doing this, cycle graphics, timings, minimum and maximum temperatures reached can be consulted and compared. Furthermore, by consulting data relating to consumption, precise calculations of product production costs can be made.

Video Options

User Videos assist with cycle set up and machine functions by kitchen personnel, eliminating the cost and time of training. Service Videos give technical support to personnel specialised in maintenance, reducing delays and facilitating service operations.

Disclaimer: Continuous product development may require changes to specifications without notice.

Installation: The blast chiller must be installed in accordance with the guidelines outlined in the appropriate installation manual. Adhering to the manual's instructions is essential to ensure correct operation and to protect the user's rights under the warranty.