



Profit from the Eagle Advantage®

Foodservice Division: (800) 441-8440

MHC Division: (800) 637-5100

FAX: (302) 653-2065

# Product Announcement

## Short Form Specifications

Eagle Breath Shield, model \_\_\_\_\_. Available in Countertop, Bolted-On and Ceiling-Mounted models. Countertop models require no tools for assembly, and feature pass-through cutout and two 8" x 14" interlocking stands. Bolted-On model mounts onto front of checkout counter (hardware for some applications included). Ceiling-Mounted shields include chains and S-hooks, and provide full countertop access while retaining protection. All shields made of ½"-thick durable plexiglass.

Item #:	_____
Model #:	_____
Project #:	_____
SIS #:	_____

EG8220 Rev. 04/20

**Countertop models:**

- Vertical and horizontal shields available.
- ½"-thick durable plexiglass.
- Features pass-through cutout.
- Easy assembly—NO TOOLS required. Two 8" x 14" stands lock into place with shield.
- Sold in packs of four (4).

**Bolted-On model:**

- Easily mounts\* onto front of checkout counter.
- ½"-thick durable plexiglass.
- 29¼"-long x 30"-tall panel.
- 1" radius corners.
- Sold in packs of two (2).

**Ceiling Mounted models:**

- Vertical and horizontal shields available.
- ½"-thick durable plexiglass.
- Three (3) 48"-long chains.
- Six (6) "S" hooks.

\* Hardware for some applications included.

For custom configuration or fabrication needs, contact our **SpecFAB® Division**.  
 Phone: (302) 653-3000. FAX: (302) 653-2065.  
 E-mail: quotes@eaglegrp.com

## New Eagle's Breath Shields



*bolted-on models shown*



*horizontal ceiling mounted model*



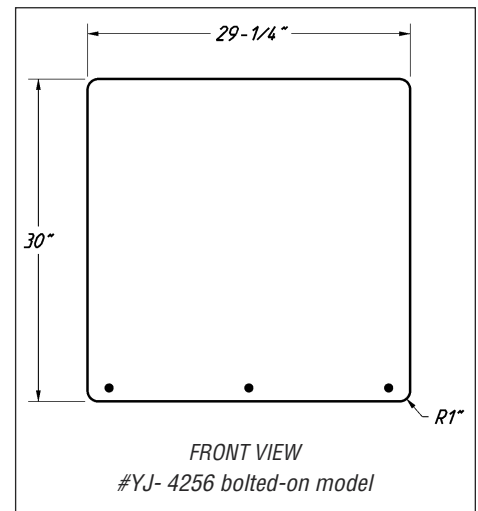
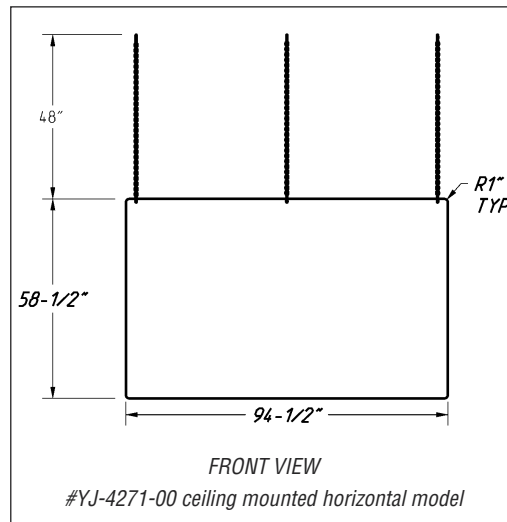
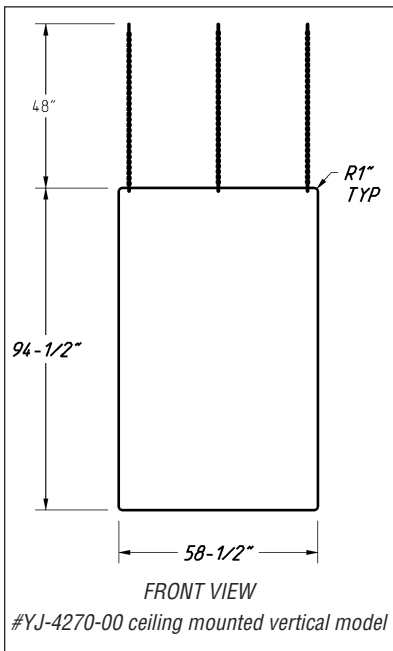
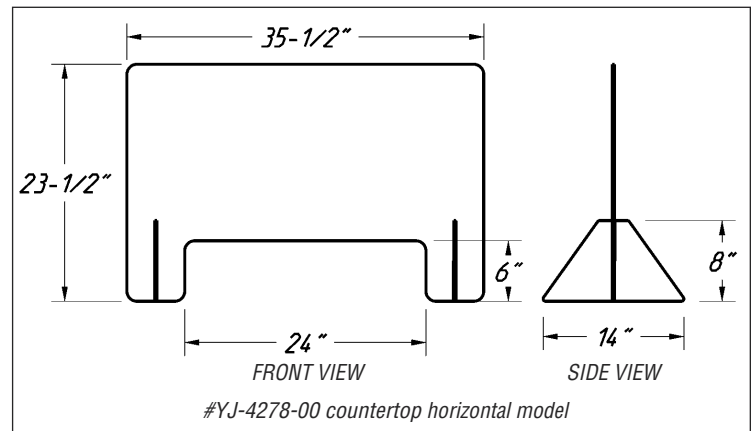
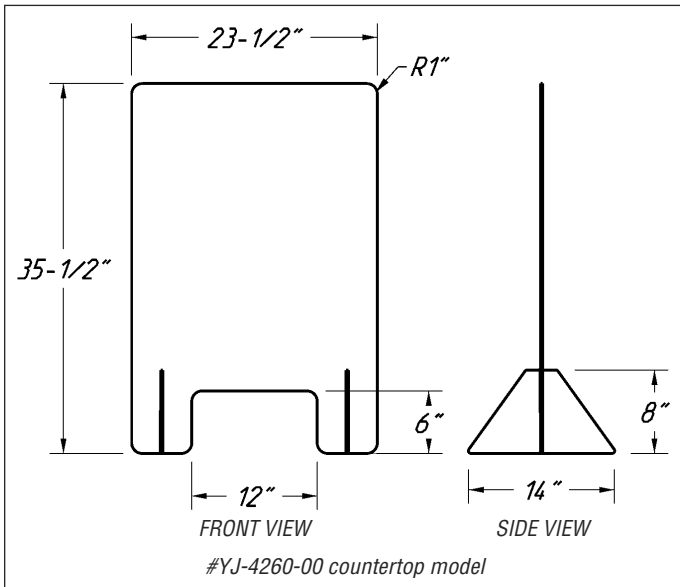
*vertical countertop model*

*Add another layer of protection for your employees and customers with Eagle's breath shields. These protective panels provide a layer of safety between your customers and the employees serving them.*

*Durable and highly mobile, the countertop shields easily come together without the need for tools! The Bolted-On model requires only three bolts or screws for certain applications. Ceiling-Mounted shields provide full access to the countertop while preserving full protection. For more information, please call our factory.*



# Breath Shields



description	height		length		quantity per pack	model #
	in.	mm	in.	mm		
countertop unit, vertical unit	35½"	902	23½"	597	4	<b>YJ-4260-00</b>
countertop unit, horizontal unit	23½"	597	35½"	902	4	<b>YJ-4278-00</b>
bolted-on unit, full protection	30"	762	29¼"	743	2	<b>YJ-4256-00</b>
ceiling-mount, vertical unit	94½"	2400	58½"	1486	1	<b>YJ-4270-00</b>
ceiling-mount, horizontal unit	58½"	1486	94½"	2400	1	<b>YJ-4271-00</b>